



**RK ROSE+KRIEGER**

A Phoenix Mecano Company



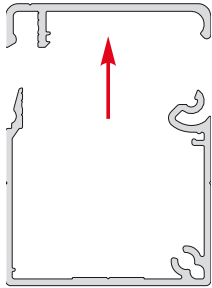
**BLOCAN<sup>®</sup>**  
**Cable Channel System**  
Fast assembly and perfect organisation



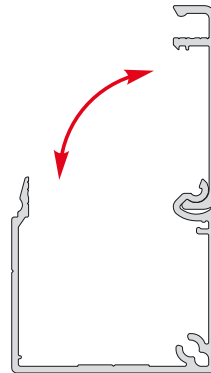
# BLOCAN® – Cable Channel System

## Channel functionality

Easy to open / excellent accessibility

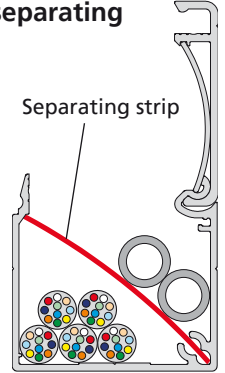


Lift cover to open



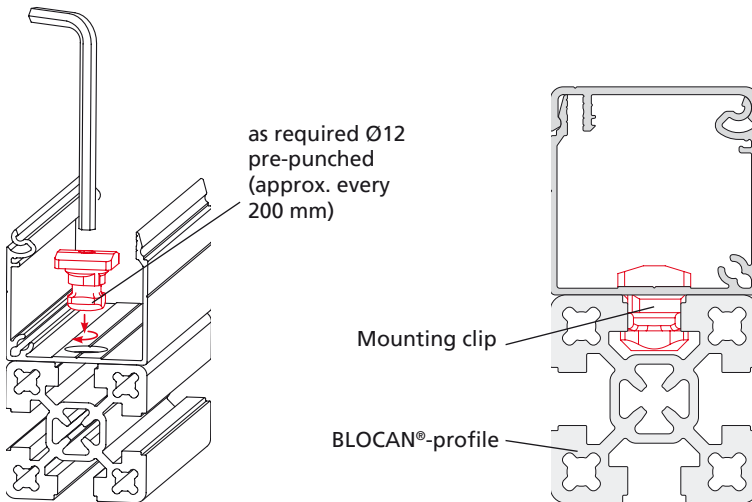
or pivot open.

Arrangement in channel with optional separating strips



### Assembling the channel

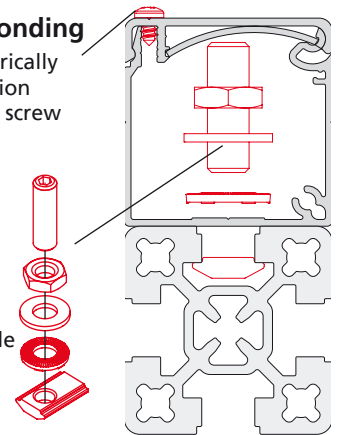
Easy assembly (no profile drilling) with BLOCAN profiles.



### Equipotential bonding

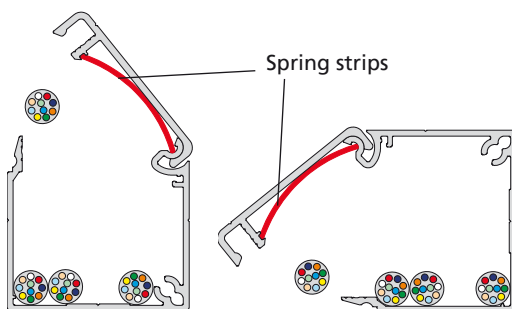
Creation of an electrically conducting connection using a self-tapping screw is possible.

Earthing kit available as accessory

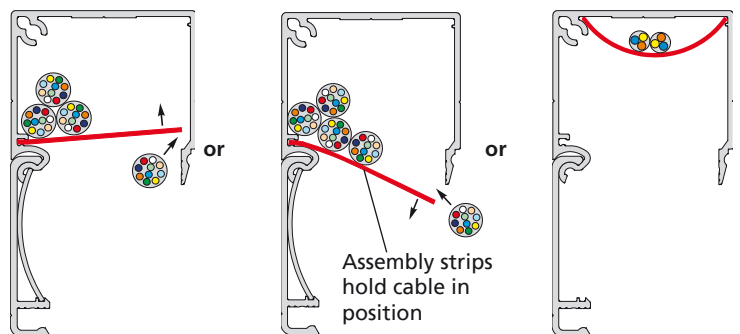


### Cable arrangement

Insertable spring strips hold cover in position

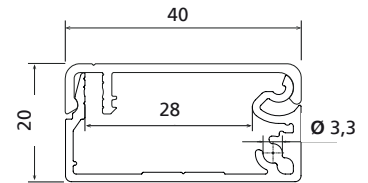


Assembly strips facilitate overhead assembly



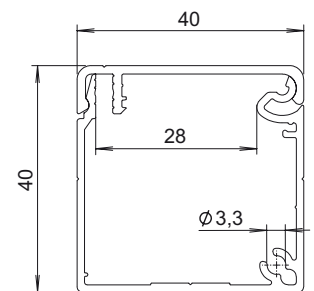
# Cable channel profiles

## Profile KK-40x20



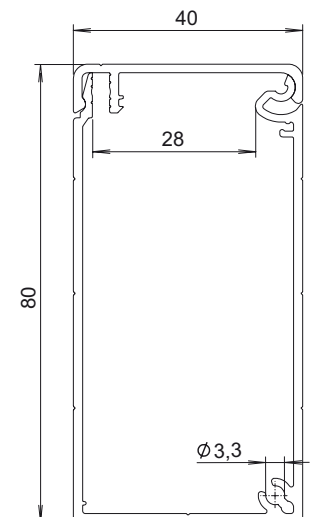
Code No.	Profile	Version	Weight
4F55A01	KK-40x20, bar 6 m	Channel with mounting holes	0,609 kg/m
4F55A00	KK-40x20, cut to required length		
4F55001	KK-40x20, bar 6 m	Channel without mounting holes	0,611 kg/m
4F55000	KK-40x20, cut to required length		

## Profile KK-40x40



Code No.	Profile	Version	Weight
4E15A01	KK-40x40, bar 6 m	Channel with mounting holes	0,745 kg/m
4E15A00	KK-40x40, cut to required length		
4E15001	KK-40x40, bar 6 m	Channel without mounting holes	0,747 kg/m
4E15000	KK-40x40, cut to required length		

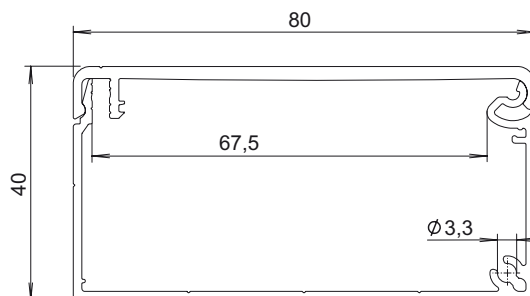
## Profile KK-40x80



Code No.	Profile	Version	Weight
4E35A01	KK-40x80, bar 6 m	Channel with mounting holes	1,152 kg/m
4E35A00	KK-40x80, cut to required length		
4E35001	KK-40x80, bar 6 m	Channel without mounting holes	1,155 kg/m
4E35000	KK-40x80, cut to required length		

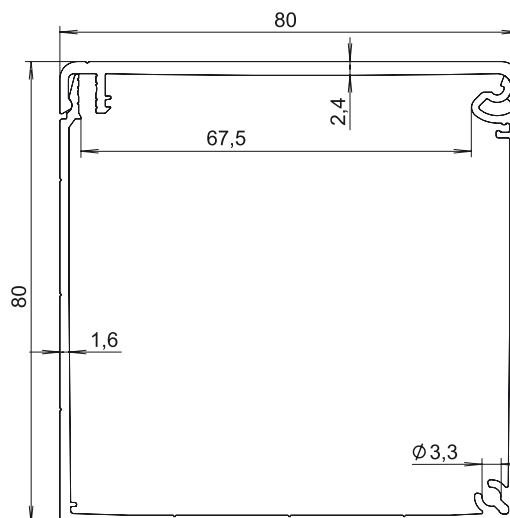
# Cable channel profiles

## Profile KK-80x40



Code No.	Profile	Version	Weight
4E25A01	KK-80x40, bar 6 m	Channel with mounting holes	1,290 kg/m
4E25A00	KK-80x40, cut to required length		
4E25001	KK-80x40, bar 6 m	Channel without mounting holes	1,292 kg/m
4E25000	KK-80x40, cut to required length		

## Profile KK-80x80



Code No.	Profil	Version	Weight
4F15A01	KK-80x80, bar 6 m	Channel with mounting holes	1,690 kg/m
4F15A00	KK-80x80, cut to required length		
4F15001	KK-80x80, bar 6 m	Channel without mounting holes	1,693 kg/m
4F15000	KK-80x80, cut to required length		

# Accessories

## Order instruction::

- Purchase only in lot sizes and amultiple of that see product table below

### Spring strips for cover



Material: PVC  
Recommended quantity: 5 units/meter

Code No.	for KK-Profile	lot sizes
4E185041	40x20 40x40, 40x80	10, 20, 30... piece
4E285011	80x40, 80x80	

### Cable mounting clip



Material: PA-GF3

Code No.	for KK-Profile	lot sizes
4E185031	all	10, 20, 30... piece

### Cover plate



Material: natural anodised aluminium

Code No.	for KK-Profile	lot sizes
4F555011	40x20	6, 12, 18... piece
4E155011	40x40	
4E255011	40x80, 80x40	
4F155011	80x80	

### End cover for cable outlet



Material: natural anodised aluminium  
Thickness 1.5 mm  
Hole Ø 25 mm

Code No.	for KK-Profile	lot sizes
4E155021	40x40	6, 12, 18... piece
4E255021	40x80, 80x40	
4F155021	80x80	

### Grommet for cable outlet

Material: Z-PVC  
Outlet Ø 22 mm



Code No.	for KK-Profile	lot sizes
4E185051	40x40, 40x80, 80x40, 80x80	6, 12, 18... Stück

### Membrane grommet for cable outlet

Material: Z-PVC



Code No.	for KK-Profile	lot sizes
4E185021	40x40, 40x80, 80x40, 80x80	6, 12, 18... Stück

### Separating strip



Material: PVC

Code No.	for KK-Profile	lot sizes
4E185061	40x40	10, 20, 30... piece
4E285021	40x80, 80x40	
4F185011	80x80	

### Edge protection for inlets and profile ends



Material: PVC, grey

Code No.	for KK-Profile	Type
4E18501	all	1 piece a 1 m

# Accessories

**Order instruction::**

- Purchase only in lot sizes and amultiple of that see product table below

## Assembly strip



Material: PVC

Code No.	for KK-Profile	lot sizes
4E185071	40x20 40x40, 40x80	10, 20, 30... piece
4E285031	80x40	

## Earthing kit



Code No.	for KK-Profile	Version
4E16502	all	screw, slot stone, washers

## Cable tie base \*



Material: PA6

Code No.	für KK-Profile	lot sizes
4F185021	all	10, 20, 30... piece

\* May be used with channel assembly clip.

## Contact washer



(Equipotential bonding for cover plates)

Material: Galvanised steel

Code No.	for KK-Profile	lot sizes
4E165031	all	100, 200, 300... piece

## Self-tapping screw (ISO 7049 St. 3.5x9.5, type F)



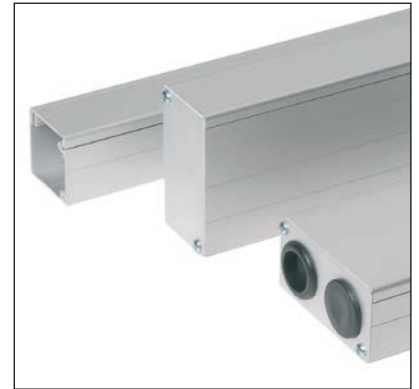
Code No.	for KK-Profile	lot sizes
4E165011	all	10, 20, 30... piece



Spring strips hold the cover open in any position



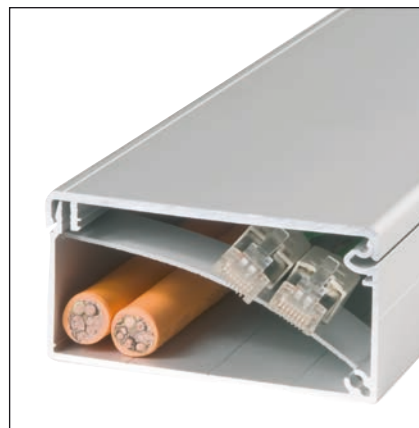
Quick and easy assembly with a fixing clip



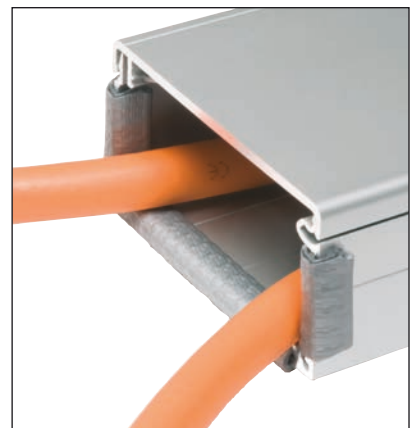
Cover plates and outlets as required



Leads can be separated with pressfit separating strips...



...or make overhead work easier.



Edge protection for inlets or outlets



Standard components make equipotential bonding easy



**RK ROSE+KRIEGER**

A Phoenix Mecano Company

**RK Rose+Krieger GmbH**  
Connecting and positioning systems  
Potsdamer Straße 9  
32423 Minden, Germany  
Telefon +49 571 93 35-0  
Telefax +49 571 93 35-119  
info@rk-online.de  
www.rk-rose-krieger.com



Brochure PDF file  
to download