

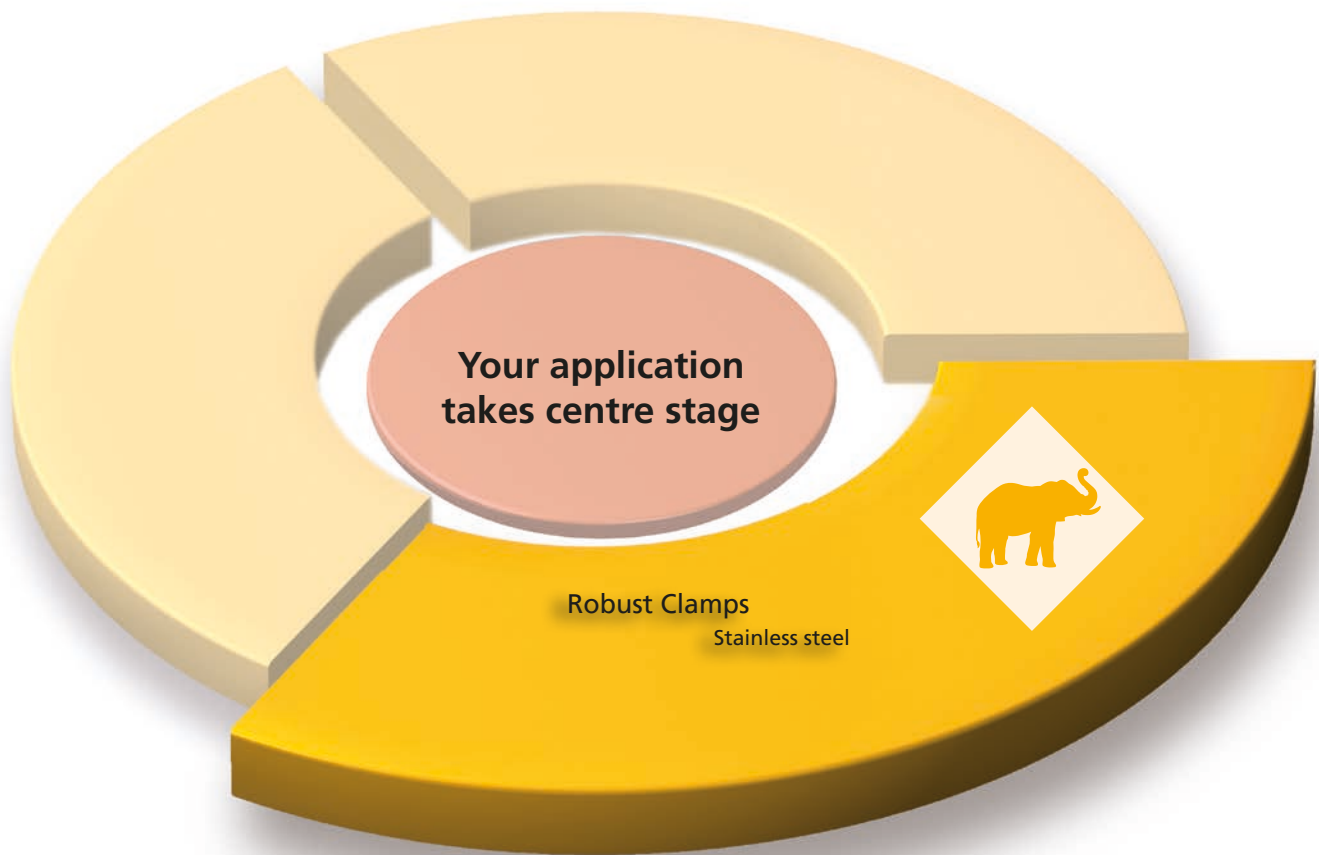
## Robust Clamps

Style and power  
The new generation of connectors



## Robust Clamps

# The new generation of connectors



For heavy loads and shock-proof applications, RK Rose+Krieger has developed Robust Clamps made of stainless steel. The high-strength connection elements are resistant to high temperatures and corrosion, and are specially designed for dynamic loads.

Stainless steel clamps are particularly important for users working in the fields of chemical and food technology.

The demand for stainless steel clamps is especially high for the bottling, packaging and processing technology as well as for outdoor appliances and equipments bearing thermal loads.



#### Features:

- High clamping forces
- Highly temperature resistant
- Corrosion-resistant material: 1.4308
- Cost-effective alternative to DIY
- electropolished surface

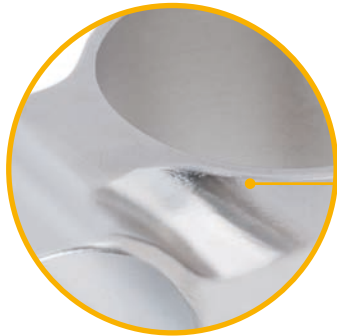
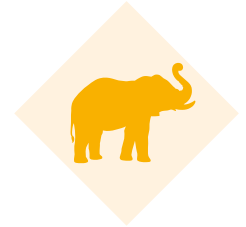


- Extremely strong
- Vibration proof
- Impact and shock load

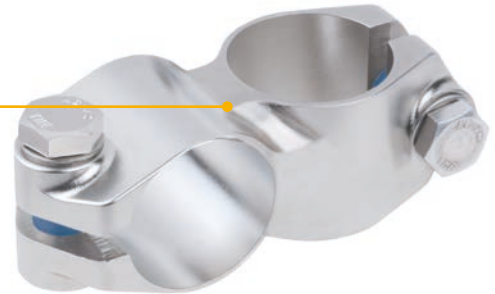


## Robust Clamps

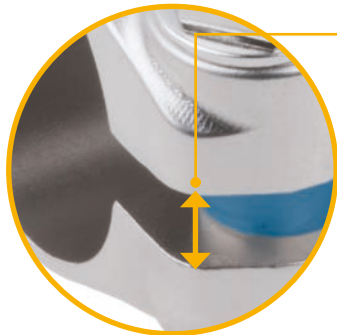
# Clever details in the construction of the tube connectors (30/40 mm diameter)



- Smooth contour transitions
- Optimised flux of force during torsional stress



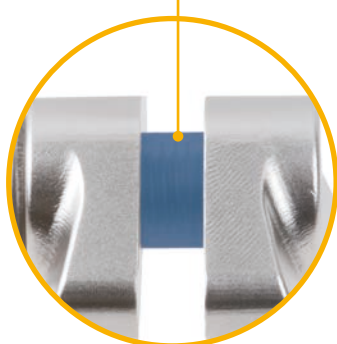
- Exterior hex screws
- Simple installation with standard tools



- Large slot width
- Easy to clean



- Pocket hole version
- Minimises dirt accumulation



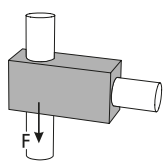
- Silicone thread coating
- Protects the threads against soiling and damage



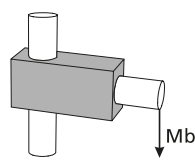
# Loads robust clamps

## Attention!

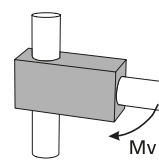
The data in the chart do not ensure a guarantee of quality or a warrant characteristic of our products. These are nonbinding standard values which might be not reached in individual cases due to the temperature or surface finish of the clamping profile.



Adhesion force F [KN]



Bending moment Mb [Nm]



Twisting moment Mv [Nm]

Tightening torque of

clamping screws:

M6: 10 Nm

M8: 25 Nm

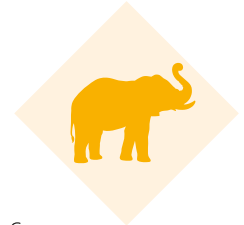
M10: 50 Nm

Material data sheet  
available upon request.

Size Type	Ø12 - 18			Ø 30			Ø 40		
	F	Mb	Mv	F	Mb	Mv	F	Mb	Mv
Cross clamps									
K-VA	7,3	328	37	8,6	975	104	15,5	1780	355
Angle clamps									
W-VA	4,4	449	31	5,8	1570	30	10,1	3360	183
Base clamps									
FS-VA	5,5	175	30	7,2	1420	82	7,9	2790	150
Flange clamps									
FK-VA	6,3	236	44	8,4	740	115	15,2	2580	236

## Robust Clamps

# Cross/Angle clamps



### Order instruction:

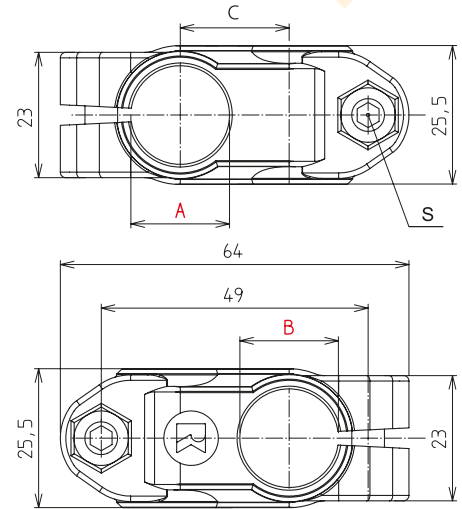
- Standard equipment premounted stainless steel screws



K-VA 12-14



K-VA 16-20

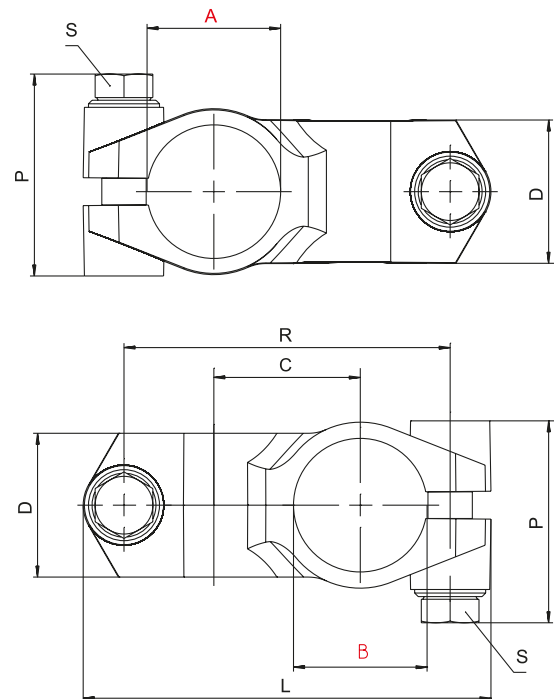


## Cross clamps K-VA

Code No.	Type	A	B	C	m [g]	Clamping lever S Code No.
101200003800	K-VA 12	12,1	12,1	20	198	93031
101400003800	K-VA 14	14,1	14,1	20	183	
101600003800	K-VA 16	16,1	16,1	20	165	
101800003800	K-VA 18	18,1	18,1	20	144	
102000003800	K-VA 20	20,1	20,1	21	106	



K-VA 30, 40



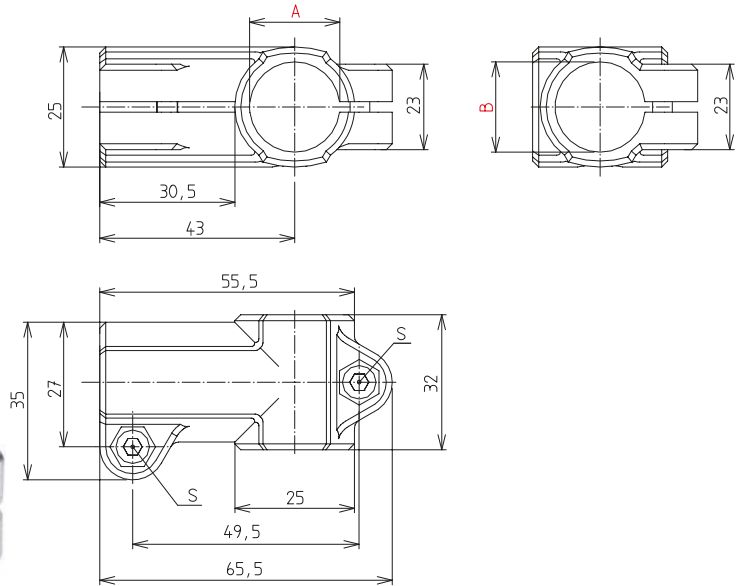
Code No.	Type	A	B	C	D	L	P	R	m [g]	Clamping lever S Code No.
103000003900	K-VA 30	30,1	30,1	33	32,4	92	45,5	73,5	348	9300201
104000003900	K-VA 40	40,17	40,17	42	40,4	118	52	95,5	647	93023



W-VA 12-14



W-VA 16-20



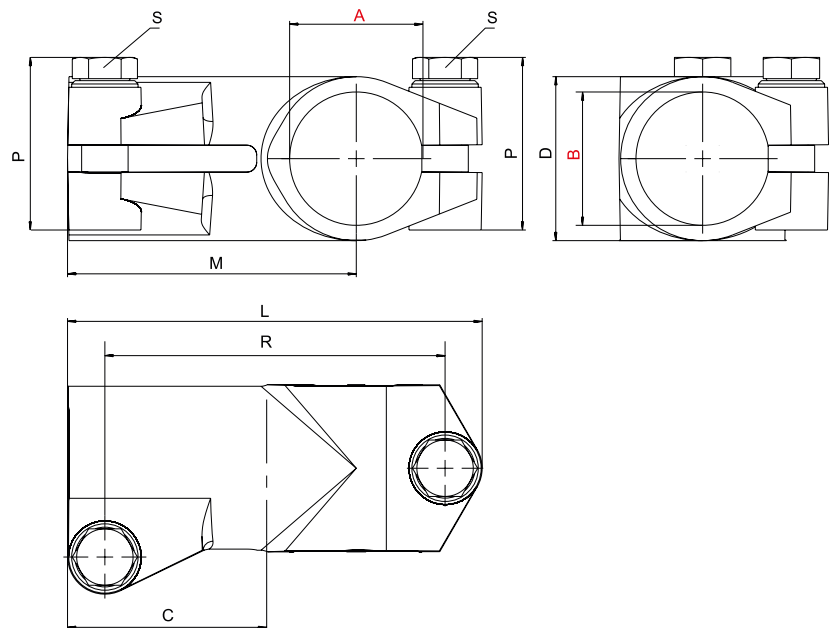
### Angle clamps W-VA

[mm]

Code No.	Type	A	B	m [g]	Clamping lever S Code No.
111200003800	W-VA 12	12,1	12,1	235	93031
111400003800	W-VA 14	14,1	14,1	216	
111600003800	W-VA 16	16,1	16,1	194	
111800003800	W-VA 18	18,1	18,1	169	
112000003800	W-VA 20	20,1	20,1	123	



W-VA 30, 40

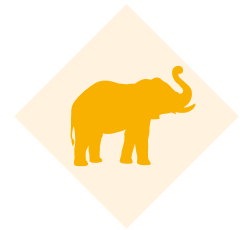


[mm]

Code No.	Type	A	B	C	D	L	M	P	R	m[g]	Clamping lever S Code No.
113000003900	W-VA 30	30,1	30,1	40	38,4	87	58	45,5	69	403	9300201
114000003900	W-VA 40	40,17	40,17	60	50,4	124,9	87	52	102,5	875	93023

## Robust Clamps

# Base/Flange clamps



### Order instruction:

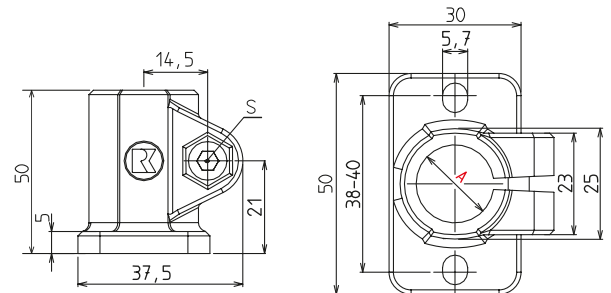
- Standard equipment premounted stainless steel screws



FS-VA 12-14



FS-VA 16-20

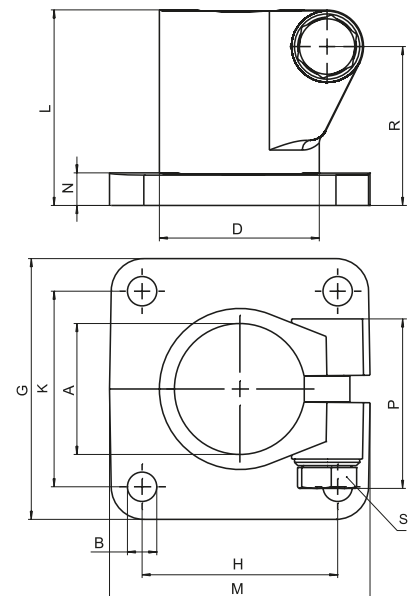


## Base clamps FS-VA

Code No.	Type	A	m [g]	Clamping lever S Code No.
13120000380	FS-VA 12	12,1	163	93031
13140000380	FS-VA 14	14,1	151	
13160000380	FS-VA 16	16,1	138	
13180000380	FS-VA 18	18,1	124	
13200000380	FS-VA 20	20,1	99	



FS-VA 30, 40



Code No.	Type	A	B	D	G	H	K	L	M	N	P	R	m[g]	Clamping lever S Code No.
13300000390	FS-VA 30	30,1	7	37,4	60	40	40	50	60	7	45,5	41	316	9300201
13400000390	FS-VA 40	40,17	9	49,4	80	60	60	60	80	10	52	90	629	93023

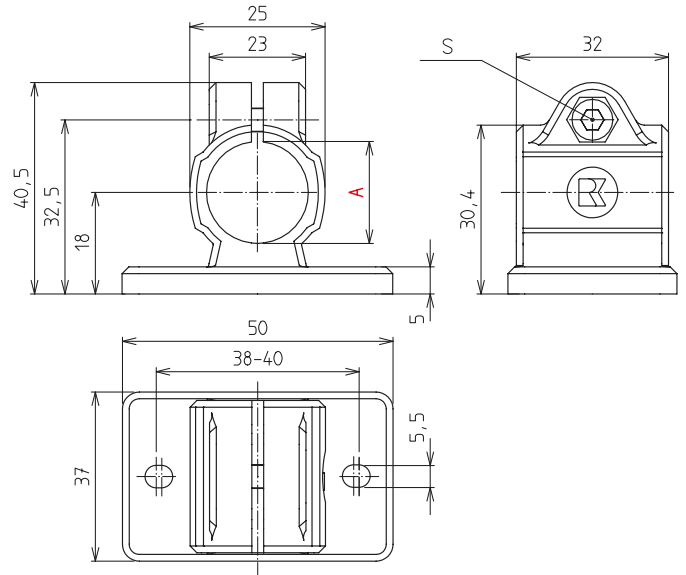




FK-VA 12-14



FK-VA 16-20

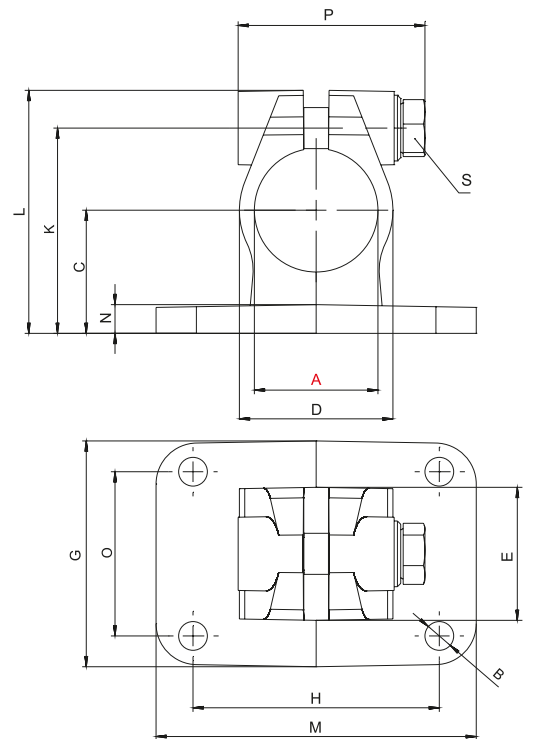


## Flange clamps FK-VA

[mm]				
Code No.	Type	A	m [g]	Clamping lever S Code No.
12120000380	FK-VA 12	12,1	178	93031
12140000380	FK-VA 14	14,1	167	
12160000380	FK-VA 16	16,1	156	
12180000380	FK-VA 18	18,1	143	
12200000380	FK-VA 20	20,1	120	



FK-VA 30, 40



[mm]																
Code No.	Type	A	B	C	D	E	G	H	K	L	M	N	O	P	m[g]	Clamping lever S Code No.
12300000390	FK-VA 30	30,1	7	30	37,4	32,4	55	60	50	59,2	78	7	40	45,5	370	9300201
12400000390	FK-VA 40	40,17	9	42	49,4	46,4	80	60	69	80	80	10	60	52	849	93023

## Our product ranges



### LINEAR TECHNOLOGY

- Manual adjustment units
- Electric cylinders
- Lifting columns
- Linear axes
- We can move loads for you of up to 3 t and up to 12 m dynamically, reliably and with great precision



### PROFILE TECHNOLOGY

- The tried and tested BLOCAN® aluminium assembly system
- Sections from 20 mm to 320 mm for all applications
- Connecting technology with an unsurpassed combination of flexibility and reliability



### CONNECTING TECHNOLOGY

- Fittings for the secure clamp connection of round and square tubes
- Elements made of aluminium, stainless steel and plastic
- Sizes from 8 mm to 80 mm



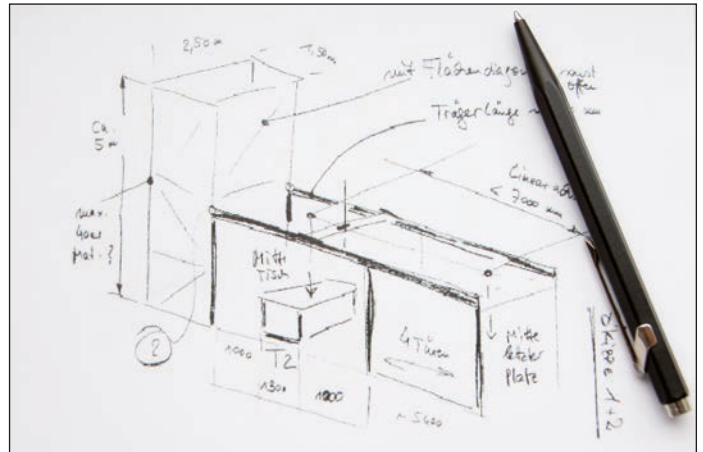
### MODULE TECHNOLOGY

- Machine frames
- Workstations
- Machine guards
- Multidimensional linear axis modules
- Complete drive solutions

# Our services

Do you need to focus your resources on other tasks and are you looking for an expert partner you can rely on? Working in close collaboration with you, our specialists will develop solutions tailor-made to meet your needs. If you wish, we can also assemble and commission the units on site.

- Just make a sketch of your requirements



- Our product specialists will develop a solution for you



- We can deliver your turnkey solution or assemble and commission it for you on site





**RK ROSE+KRIEGER**

A Phoenix Mecano Company

**RK Rose+Krieger GmbH**  
Connecting and positioning systems  
Potsdamer Straße 9  
32423 Minden, Germany  
Telefon +49 571 9335-0  
Telefax +49 571 9335-119  
info@rk-online.de  
www.rk-rose-krieger.com



Informations

EN 250 Flyeralarm MAR 10 10 15 0003 03/2019 Printed in Germany