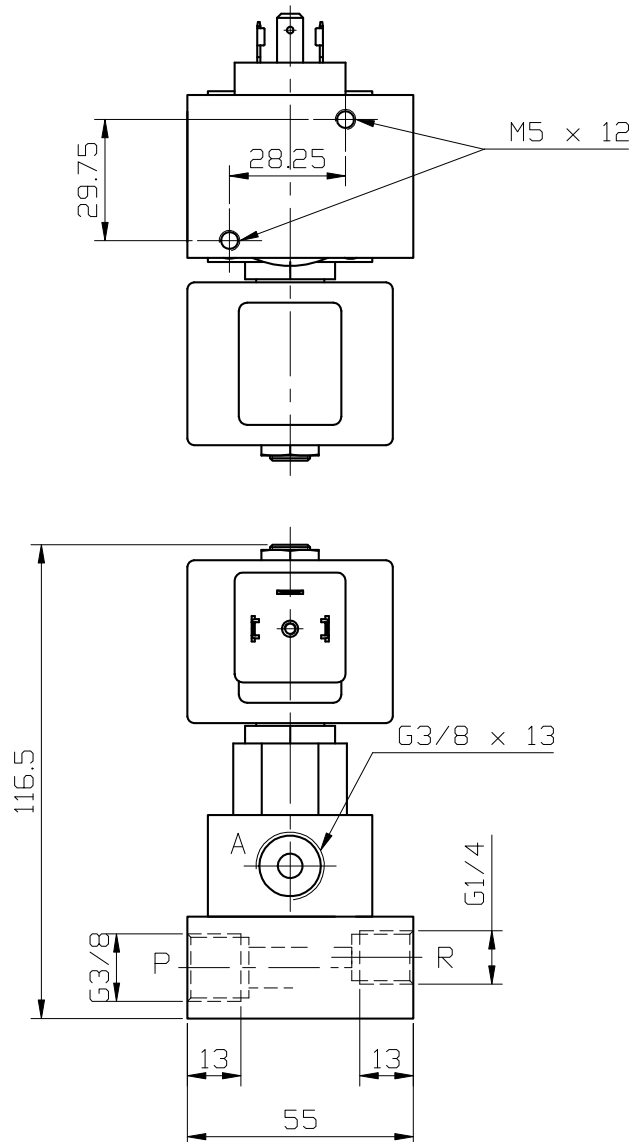


Ports	Orifice size [mm]	Flow coefficient Kv [l/min] water (p = 1 bar)	Differential pressure [bar]		Material		Mass [kg]	Coil type	Model	Voltage	Power [W]	Order code
			min	max	body	seal						
G3/8	6	10	1	70	INOX	PA	1.36	TM35	BV3	24 V AC	18	331201

FEATURES:

- Single valve designed for high-pressure humidification and adiabatic cooling applications.
- Separate drain port for convenient pressure relief and nozzle drip prevention.
- Valve is operated by a pair of coils, one NC (main line) and one NO (pressure relief).

Manifold version also available.



FUNCTION:

P = IN
A = OUT
R = DRAIN

At power off the main path (P-A) is shut, but the drain stays open to allow pressure relief and prevent nozzle drip.