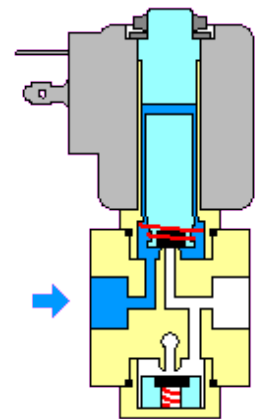
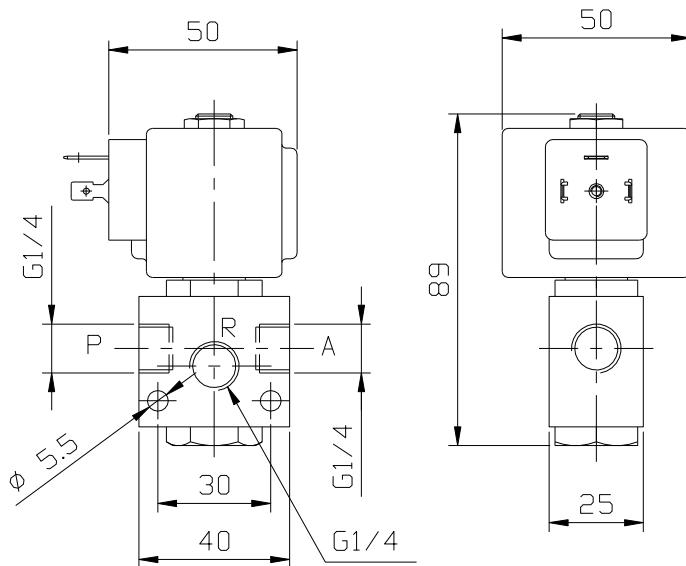


Ports	Orifice size [mm]	Kv [l/min] (water at 1 bar)	Differential pressure [bar]		Material		Mass [kg]	Coil type	Model	Voltage	Power [W]	Order code
			min	max	body	seal						
G1/4	1	0.8	0	100	Brass	NBR	0.33	TM35	XD33	230 V AC	8	331109
										48 V DC	15	331105
										24 V DC	12	331107
	1.2	0.75	0	70	Brass	NBR	0.33	TM35	XD33	230 V AC	16	331119
										24 V DC	18	331120
										12 V DC	18	331042
	1.8	1.1	0	60	Brass	PTFE	0.33	TM35	XD33	230 V AC	16	331122
				55	Brass	PTFE	0.33	TM35	XD33	24 V DC	12	331123
	2.5	2	0	45	Brass	PTFE	0.33	TM35	XD33	230 V AC	16	331124
	3	3.6	0	35	Brass	PTFE	0.33	TM35	XD33	230 V AC	16	331116
				25	Brass	PTFE	0.33	TM35	XD33	24 V DC	18	331127
	4	7.2	0	25	Brass	PTFE	0.33	TM35	XD33	24 V DC	18	331114

**NOTES:**

- INOX valve bodies, other voltages and sealing materials available.
- Please note that maximum differential pressure is lower when DC coil is used!



**FUNCTION:**

P = supply port (IN)  
A = working port (OUT)  
R = exhaust port

Coil de-energised: path P-A closed, path A-R open.  
Coil energised: path P-A open, path A-R closed.

