

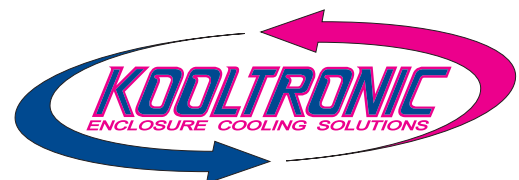


Air Conditioners:

- Guardian
- Guardian 480
- Intrepid
- Mini
- Profile
- Profile 480
- » Rack Mount
- Top Mount
- Traditional
- TrimLine
- Water-Cooled



Rack Mount Series Air Conditioners



Horizontal Internal Rack Mount Series Air Conditioners



STANDARD FEATURES

- All models UL/CUL Listed
- CFC-Free Refrigerant
- Condenser Airflow at Front of Unit
- Condenser Impeller Speed Controller
- Customized airflow with supplied baffle plates
- EIA-notched flanges
- Filter
- Heavy-duty Steel Shell with Baked Powder Finish
- Ideal for inconspicuous internal mounting
- Programmable Temperature Alarm
- Programmable Thermostat
- Six Foot [1.8m] (minimum) 3-wire Cord

The **RML Series** Rack-Mounted Air Conditioners, are designed specifically for cooling electronic enclosures and boast an innovative design concept allowing installation in any location within a data rack while keeping electronics cool. The key to this flexibility is the evaporator airflow pattern. The **RML Series** Air Conditioners feature two evaporator air inlets and two outlets on the top and the bottom of the unit. By using supplied baffle plates, the air conditioners can easily be configured for a variety of applications, with the choice of up to five airflow pattern options. In addition to airflow variety, the **RML Series** features condenser airflow at the front of the unit. This unique design gives greater flexibility when locating the unit within an enclosure, frees up additional space and requires only one cutout on the enclosure.

Rated at 5,000 BTU/H and available in 115 or 230 VAC, these air conditioners are an excellent choice for Data Centers, Communications and Telecom applications. The **RML Series** is UL Listed and offers a wide range of options, including Internal Corrosion Protection and Stainless or Aluminum Shell. Models with Programmable Temperature Alarm and Programmable Thermostat are available.

KEY FEATURES AND BENEFITS

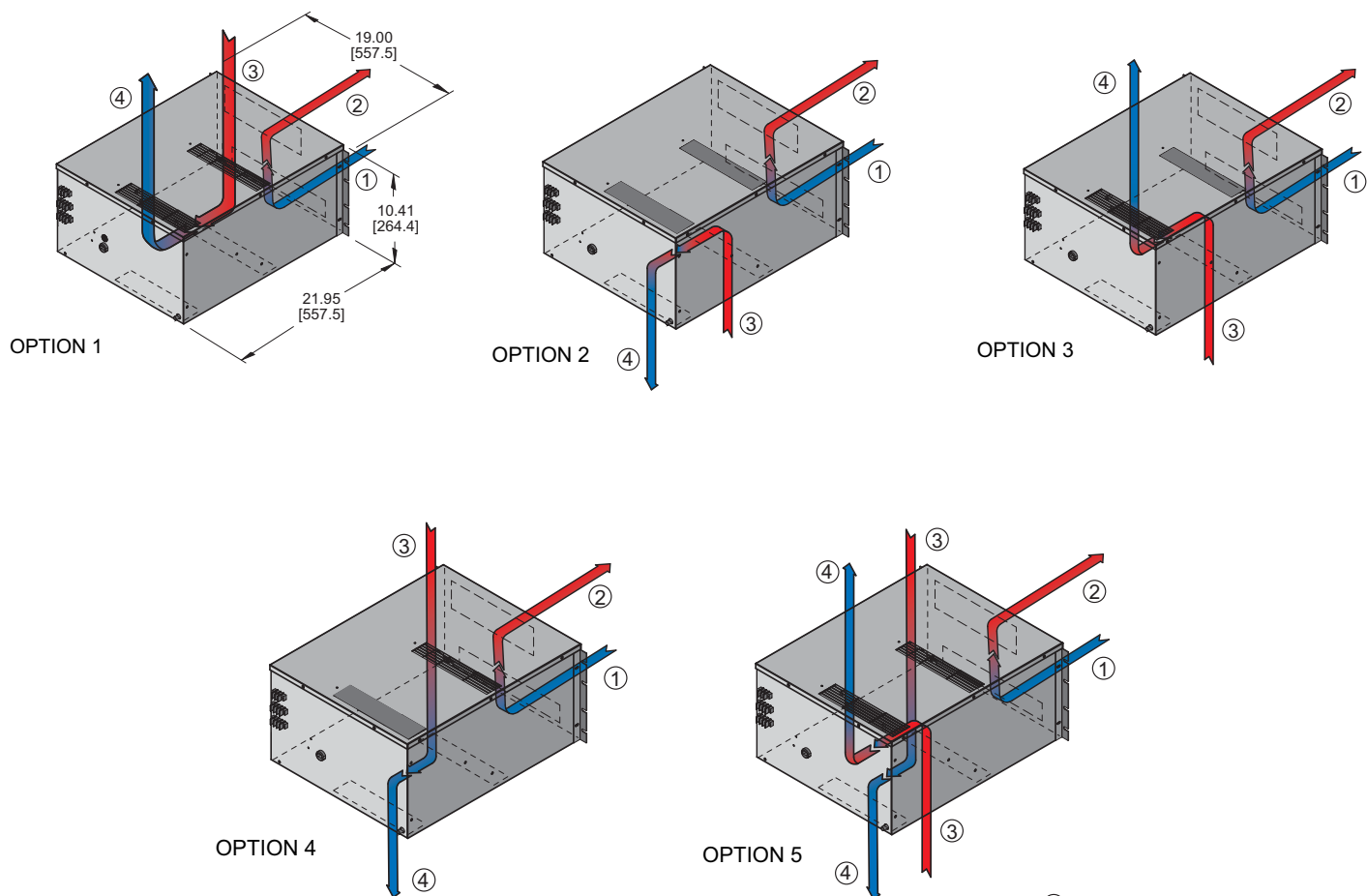
| | |
|---|--|
| CLOSED-LOOP COOLING | Enclosure airflow is isolated from ambient air, which cannot invade sensitive electronic components in the enclosure. |
| UP TO FIVE POSSIBLE EVAPORATOR AIRFLOW PATTERNS | Allows installation in any location within a data rack. |
| THERMOSTATICALLY CONTROLLED | Prevents over-cooling and provides energy-efficient operation. |
| CONDENSER AIRFLOW AT THE FRONT OF THE UNIT | Unique design gives more flexibility when locating the unit in the enclosure, frees up additional space and requires only one cutout on the enclosure. |
| PROGRAMMABLE TEMPERATURE ALARM | Alerts if early action is required. |
| PROGRAMMABLE THERMOSTAT | Allows more accurate and versatile performance features. |
| SIX FOOT [1.8m] (MINIMUM) 3-WIRE CORD | UL/CUL Listed. |
| FULL LINE OF OPTIONS AVAILABLE | A complete line of accessory items simplifies modifications to meet individual requirements. |

AIRFLOW AND DIMENSIONS

Dimensions, inches [mm], are for reference only and are subject to change.

The RML Series offers a choice of up to five evaporator airflow patterns, allowing installation in any location within a data rack. Using supplied baffle plates the RML can easily be configured for a variety of applications.

In addition, the RML features a unique condenser airflow design with both intake and outlet at the front of the unit. The RML is the only air conditioner on the market with this same-side condenser airflow configuration. This design eliminates the need for additional duct work, freeing up more space in the electronics cabinet. It also allows greater flexibility when locating a unit within an enclosure, and requires only one cutout on the enclosure.



Dimensions, inches [mm], are for reference only and subject to change.

- ① FILTERED CONDENSER AIR INLET (Ambient Air In)
- ② CONDENSER OUTLET (Warm Ambient Air Out) 2.25 x 3.38 [57.2 x 85.9] each
- ③ WARM AIR RETURN FROM ENCLOSURE 2.00 x 15.00 [50.8 x 381.0]
- ④ COOL AIR OUTLET TO ENCLOSURE 2.00 x 4.50 [50.8 x 114.3] each

For more information on these and all of our thermal management products please visit our website:

kooltronic.com

E-mail sales@kooltronic.com

KOOLTRONIC CARRIES A FULL LINE OF AIR CONDITIONERS, HEAT EXCHANGERS, FANS, BLOWERS AND ENCLOSURE ACCESSORIES



Heat Exchangers



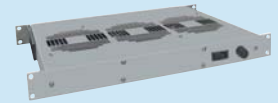
NEMA 4 or 4X Air Conditioners
(480 Volt models available)



NEMA 12 Filter Fans



NEMA 4 or 4X Filter Fans



Fantrays



Basic Blowers and Packaged Blowers

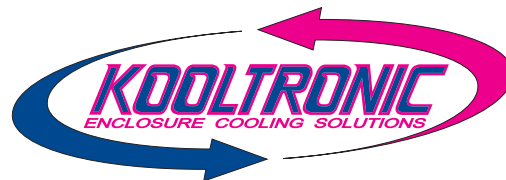


Custom Design



Enclosure Accessories

With over 60 years of service to its customers, Kooltronic is the leading manufacturer of air conditioners, heat exchangers, fans and blowers designed specifically to cool the interiors of enclosures containing heat sensitive components. We operate a complete manufacturing facility and sales office at our headquarters in Pennington, NJ.



Corporate Headquarters:

30 Pennington-Hopewell Road
Pennington, New Jersey 08534
Phone: (609) 466-3400

sales@kooltronic.com

kooltronic.com



Scan with your smart phone
to visit kooltronic.com

