

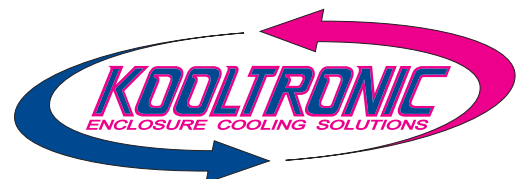


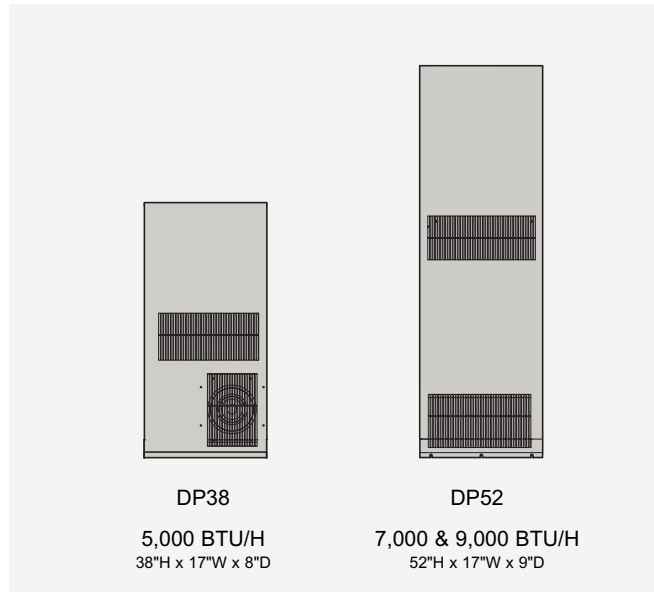
Air Conditioners:

- Guardian
- Guardian 480
- Intrepid
- Mini
- Profile
- » Profile 480
- Rack Mount
- SlimKool
- Top Mount
- Water-Cooled



Profile Series 480-Volt Air Conditioners





Many popular units are available as 3D solid models for customer system integration. Please contact Kooltronic for details.

The Profile 480 Series Air Conditioners

Engineered with 480-Volt compressors, these new *Profile 480 Series* units eliminate the need for costly transformers. The indoor/outdoor *Profile 480 Series* has NEMA 12 & 3R Ratings, with all models UL/CUL Listed, making them the perfect choice for industrial automation applications.

In addition to the list of standard features, the *Profile 480 Series* models are also available with a wide range of accessories and options, including stainless steel shells, short-cycle protector, temperature alarm and cabinet heater.

The series consists of three air conditioners in heights of 38 and 52 inches, with capacities of 5,000, 7,000 and 9,000 BTU/H.*

KEY FEATURES AND BENEFITS

CLOSED-LOOP COOLING

Enclosure airflow is isolated from ambient air, which cannot invade sensitive electronic components in the enclosure.

EPOXY-COATED CONDENSER COILS

Preserves heat transfer, surface efficiency and appearance.

GALVANIZED & PAINTED SHEET METAL

Will withstand 1000 hours of salt spray per the ASTM B117 test method. This allows units to be used in corrosive environments.

THERMOSTATICALLY CONTROLLED

Prevents over-cooling and provides energy-efficient operation.

NEMA TYPE 12 & 3R RATINGS MAINTAINED

These indoor/outdoor models are perfect for bottling plants, the automotive industry or other industrial automation applications.

EXTERNAL JUNCTION BOX FOR PERMANENT WIRING CONNECTIONS

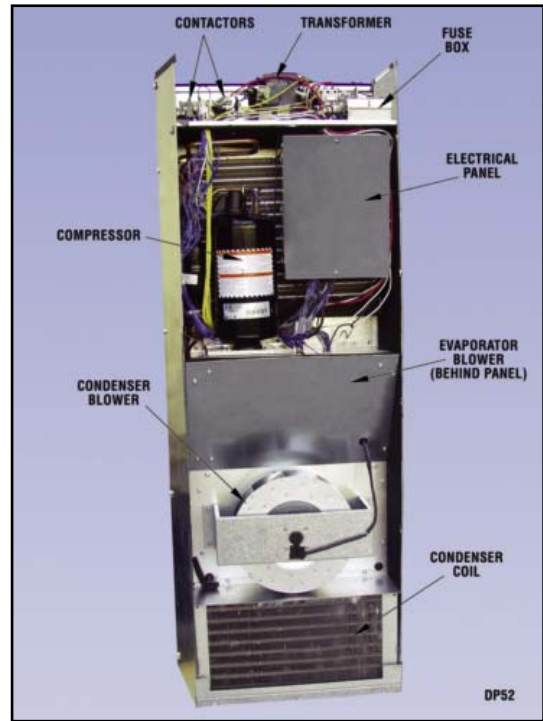
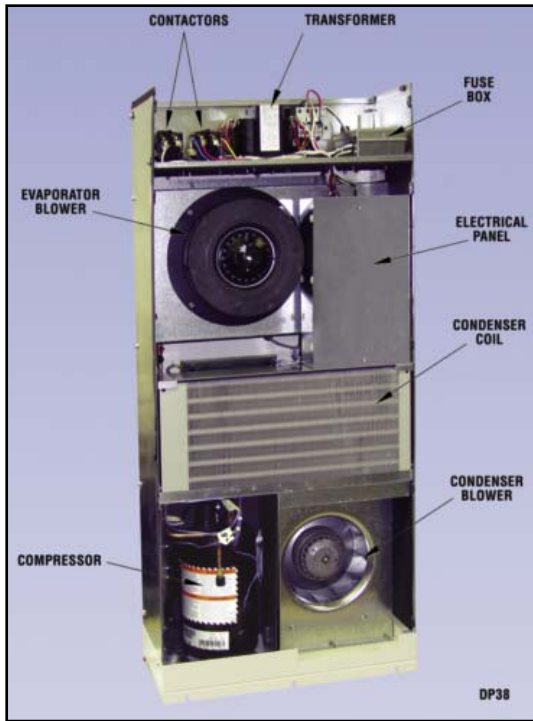
UL/CUL Listed.

FULL LINE OF OPTIONS AVAILABLE

A complete line of accessory items simplifies modifications to meet individual requirements.

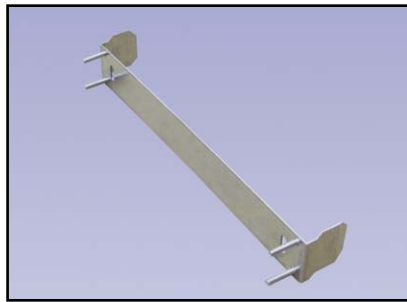
*The Profile Series is also available in 115 and 230 Volt Single Phase units. Contact Kooltronic for details.

Profile 480 Series Indoor/Outdoor Air Conditioners



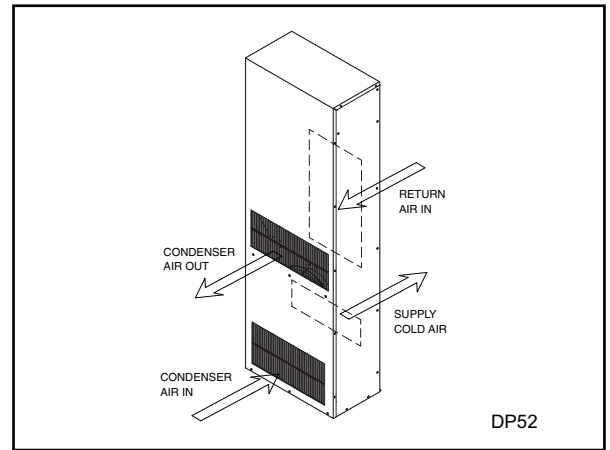
Indoor/Outdoor 480-Volt Air Conditioners

The *Profile 480 Series* Air Conditioners have been engineered to operate under the most demanding industrial applications. The components used in these models have been specially designed and tested to maintain cooling efficiency in temperature controlled enclosures in bottling plants, the automotive industry and other industrial automation applications.



Simple Mounting Procedure

The Mounting Hook (right) is bolted to the electronics enclosure. The air conditioner, with two vertical slots on the front, slides onto the two tabs of the Mounting Hook (left). The air conditioner lies flush against the enclosure, with the gasket assuring a tight seal.



Principles of Operation

Kooltronic Air Conditioners are required when the equipment operating temperature must be kept near or lower than the ambient room temperature, and/or the cabinet must be sealed from dust, fumes or other contaminants. These air conditioners utilize a "Closed-Loop Cooling System" to insure optimum performance of the installed components.

Closed-Loop cooling seals the electronic enclosure from hostile elements in the environment by employing two separate circulation systems. The internal system cools and dehumidifies the air inside the cabinet. The external system uses circulating ambient air to discharge the heat removed from the electronics.

Applications

Electronically controlled high speed bottling equipment (left and below) is just one of the applications. Kooltronic *Profile 480 Series* units are currently cooling.



KOOLTRONIC CARRIES A FULL LINE OF AIR CONDITIONERS, HEAT EXCHANGERS, FANS, BLOWERS AND ENCLOSURE ACCESSORIES



Heat Exchangers



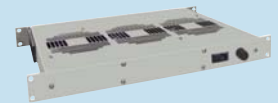
NEMA 4 or 4X Air Conditioners
(480 Volt models available)



NEMA 12 Filter Fans



NEMA 4 or 4X Filter Fans



Fantrays



Basic Blowers and Packaged Blowers

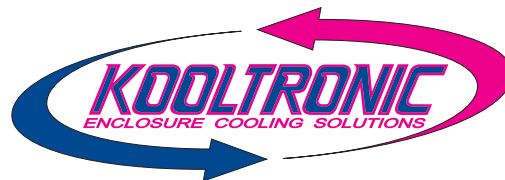


Custom Design



Enclosure Accessories

With over 60 years of service to its customers, Kooltronic is the leading manufacturer of air conditioners, heat exchangers, fans and blowers designed specifically to cool the interiors of enclosures containing heat sensitive components. We operate a complete manufacturing facility and sales office at our headquarters in Pennington, NJ.



Corporate Headquarters:
30 Pennington-Hopewell Road
Pennington, New Jersey 08534
Phone: (609) 466-3400

sales@kooltronic.com

kooltronic.com



Scan with your smart phone
to visit kooltronic.com