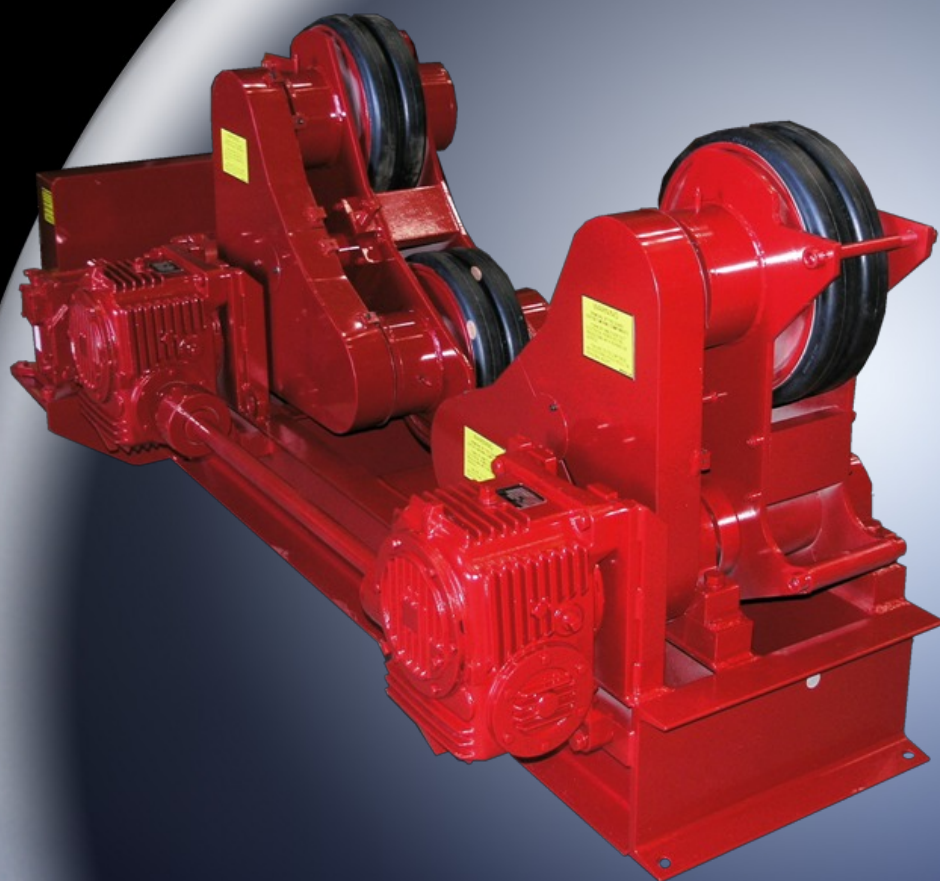


CUTTING, POSITIONING & WELDING EQUIPMENT

TURNING ROLLS

The Most Complete Line in the Industry



Koike Aronson, Inc./Ransome

Table of Contents

How to Size a Turning Roll.....4

Load Capacity Tables.....5

AR Series Turning Rolls

Pipe Rolls.....6

Unit Rolls.....7

MRD 5-20.....8

WRD/WRI 5-20..... 10

WRD/WRI 30-200 12

WSD/WSI - 300-1,200 14

RR Series Turning Rolls

A-AAA..... 16

B-E..... 18

TR Series Turning Rolls

Anti-Drift.....20

Self Aligning.....22

Micarta Rolls.....24

Outboard Support Stands.....26

Fit-Up Rolls.....28

Trac-Tred.....30

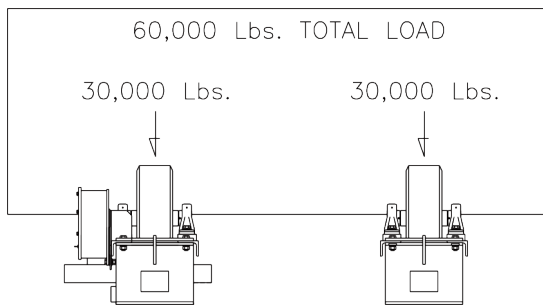
Paint & Blast Rolls31

Options.....32

How to Size a Turning Roll

Weight Capacity

The basic turning roll setup includes (1) Drive Roll and a companion Non-powered Idler Roll. The Driver supports one end of the workpiece and imparts rotational motion to the work. The Idler merely supports the other end of the workpiece as it rotates. The first factor in selecting any set of Turning Rolls is to determine the maximum weight capacity required. In a symmetrical workpiece, one of its ends and half the load is supported by the Drive Roll. The other half of the work is supported by the Idler Roll. Each Driver and Idler Roll have separate load ratings and capacities.

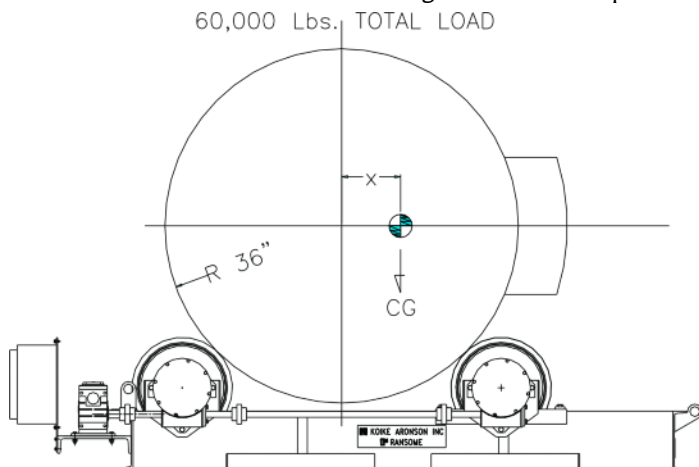


Tractive Pull:

Although most Turning Roll applications are primarily concentric loads, they are rated to handle a certain degree of eccentricity. Tractive pull ratings show the available turning power for a given Turning Roll. For eccentric loading, the available turning power must be compared to the force required to turn the eccentric load. To determine the required force to rotate an eccentric vessel, use the following formula.

$$\frac{(\text{Total load}) \times (\text{distance CG is located from center of rotation})}{\text{Vessel Radius}}$$

The force required to rotate a vessel should never exceed ½ of the catalog rated tractive pull.

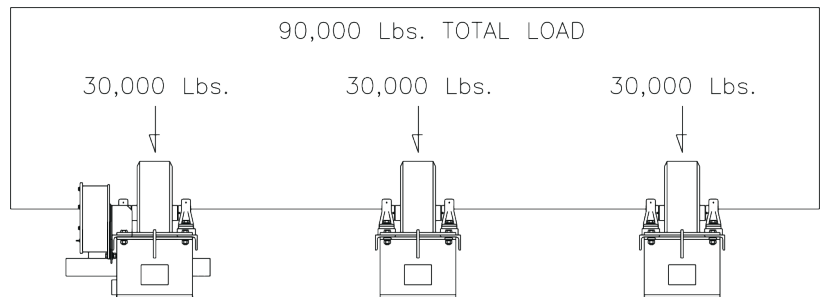


Rotation rating:

The power required to rotate the workpiece must also be considered. The Drive Roll is rated in terms of turning capacity. This rating refers to the power that is produced by the driver to rotate a smooth-walled, straight-sided circular cylinder.

For example, a Driver rated to support 30,000 lb is also rated to rotate 90,000 lb. To support and rotate a 90,000 lb load, (1) 30,000 lb Driver and (2) 30,000 lb Idlers are required to provide sufficient support and rotation power for the load.

Vessel roundness, irregularities, and roll alignment can all effect the rotation power required and must be considered.



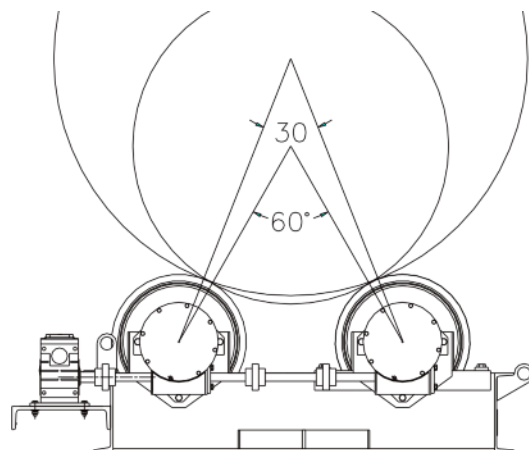
In this example, load must be evenly distributed and contact all rollers throughout complete rotation.

Included Angle:

When supporting a load on a set of Turning Rolls, the distance between the rollers is very important. A balanced symmetrical load should normally have an included angle between 30° and 60°.

Although a greater included angle can provide additional traction, it also requires additional torque and can stall the drive motor.

Small included angles can produce unstable loads and unsafe conditions.



Load Capacity Tables

MODEL	Load Per Unit lb (ton)	Total Load 1 Drive / 1 Idler lb (ton)	Total Load 1 Drive / 2 Idler lb (ton)	Tractive Pull lb	Speed Range (IPM)	Rubber Tire Dimension	Steel Tire Dimension	Diameter Range
PRD3 PRI3	3,000 lb (1.5) 3,000 lb (1.5)	6,000 lb (3) 6,000 lb (3)	9,000 lb (4.5) 9,000 lb (4.5)	1,200 lb	1.4 - 40	Ø12" x 3-1/2" Ø12" x 3-1/2"	N/A N/A	3-1/2" - 40" 3-1/2" - 40"
WRD/WSD 5 WRI/WSI 5	5,000 lb (2.5) 5,000 lb (2.5)	10,000 lb (5) 10,000 lb (5)	15,000 lb (7.5) 15,000 lb (7.5)	1,200 lb	1.0 - 50	Ø12" x 4" Ø12" x 4"	Ø12" x 4" Ø12" x 4"	6" - 13' 6" - 13'
APRR/APRS AIRR/AIRS	5,000 lb (2.5) 5,000 lb (2.5)	10,000 lb (5) 10,000 lb (5)	15,000 lb (7.5) 15,000 lb (7.5)	1,250 lb	1.16 - 58	Ø16" x 2-1/2" Ø16" x 2-1/2"	Ø16" x 2-1/2" Ø16" x 2-1/2"	5" - 12' 5" - 12'
WRD/WSD 10 WRI/WSI 10	10,000 lb (5) 10,000 lb (5)	20,000 lb (10) 20,000 lb (10)	30,000 lb (15) 30,000 lb (15)	1,800 lb	1.0 - 50	Ø12" x 4-1/2" Ø12" x 4-1/2"	Ø12" x 4" Ø12" x 4"	6" - 13' 6" - 13'
AAPRR/AAPRS AAIRR/AAIRS	10,000 lb (5) 10,000 lb (5)	20,000 lb (10) 20,000 lb (10)	30,000 lb (15) 30,000 lb (15)	1,900 lb	1.16 - 58	Ø16" x 5" Ø16" x 5"	Ø16" x 5" Ø16" x 5"	5" - 12' 5" - 12'
WRD/WSD 20 WRI/WSI 20	20,000 lb (10) 20,000 lb (10)	40,000 lb (20) 40,000 lb (20)	60,000 lb (30) 60,000 lb (30)	3,000 lb	1.0 - 50	Ø12" x 4" Ø12" x 4"	Ø12" x 4" Ø12" x 4"	6" - 13' 6" - 13'
AAAPRR/AAAPRS AAAIRR/AAAIRS	20,000 lb (10) 20,000 lb (10)	40,000 lb (20) 40,000 lb (20)	60,000 lb (30) 60,000 lb (30)	3,500 lb	1.2 - 60	Ø16" x 10" Ø16" x 10"	Ø16" x 5" Ø16" x 5"	5" - 12' 5" - 12'
WRD/WSD 30 WRI/WSI 30	30,000 lb (15) 30,000 lb (15)	60,000 lb (30) 60,000 lb (30)	90,000 lb (45) 90,000 lb (45)	6,000 lb	0.8 - 40	Ø20" x 6" Ø20" x 6"	Ø20" x 5" Ø20" x 5"	8" - 18' 8" - 18'
BPRR/BPRS BIRR/BIRS	30,000 lb (15) 30,000 lb (15)	60,000 lb (30) 60,000 lb (30)	90,000 lb (45) 90,000 lb (45)	6,000 lb	0.86 - 43	Ø20-1/2" x 7" Ø20-1/2" x 7"	Ø20-1/2" x 5" Ø20-1/2" x 5"	7" - 20' 7" - 20'
WRD/WSD 40 WRI/WSI 40	40,000 lb (20) 40,000 lb (20)	80,000 lb (40) 80,000 lb (40)	120,000 lb (60) 120,000 lb (60)	6,000 lb	0.8 - 40	Ø20" x 6" Ø20" x 6"	Ø20" x 5" Ø20" x 5"	8" - 18' 8" - 18'
WRD/WSD 60 WRI/WSI 60	60,000 lb (30) 60,000 lb (30)	120,000 lb (60) 120,000 lb (60)	180,000 lb (90) 180,000 lb (90)	7,200 lb	0.8 - 40	Ø20" x 12" Ø20" x 12"	Ø20" x 5" Ø20" x 5"	8" - 18' 8" - 18'
CPRR/CPRS CIRR/CIRS	60,000 lb (30) 60,000 lb (30)	120,000 lb (60) 120,000 lb (60)	180,000 lb (90) 180,000 lb (90)	8,000 lb	0.86 - 43	Ø20-1/2" x 14" Ø20-1/2" x 14"	Ø20-1/2" x 5" Ø20-1/2" x 5"	7" - 20' 7" - 20'
WRD/WSD 80 WRI/WSI 80	80,000 lb (40) 80,000 lb (40)	160,000 lb (80) 160,000 lb (80)	240,000 lb (120) 240,000 lb (120)	8,000 lb	0.7 - 35	Ø20" x 16" Ø20" x 16"	Ø20" x 5" Ø20" x 5"	8" - 18' 8" - 18'
WRD/WSD 90 WRI/WSI 90	90,000 lb (45) 90,000 lb (45)	180,000 lb (90) 180,000 lb (90)	270,000 lb (135) 270,000 lb (135)	8,000 lb	0.7 - 35	Ø20" x 18" Ø20" x 18"	Ø20" x 5" Ø20" x 5"	8" - 18' 8" - 18'
DPRR/DPRS DIRR/DIRS	90,000 lb (45) 90,000 lb (45)	180,000 lb (90) 180,000 lb (90)	270,000 lb (135) 270,000 lb (135)	11,000 lb	0.8 - 40	Ø20-1/2" x 21" Ø20-1/2" x 21"	Ø20-1/2" x 5" Ø20-1/2" x 5"	7" - 20' 7" - 20'
WRD/WSD 120 WRI/WSI 120	120,000 lb (60) 120,000 lb (60)	240,000 lb (120) 240,000 lb (120)	360,000 lb (180) 360,000 lb (180)	16,000 lb	0.7 - 35	Ø20" x 24" Ø20" x 24"	Ø20" x 5" Ø20" x 5"	8" - 18' 8" - 18'
EPRR/EPRS EIRR/EIRS	120,000 lb (60) 120,000 lb (60)	240,000 lb (120) 240,000 lb (120)	360,000 lb (180) 360,000 lb (180)	18,000 lb	0.72 - 36	Ø20-1/2" x 28" Ø20-1/2" x 28"	Ø20-1/2" x 5" Ø20-1/2" x 5"	7" - 20' 7" - 20'
WRD/WSD 160 WRI/WSI 160	160,000 lb (80) 160,000 lb (80)	320,000 lb (160) 320,000 lb (160)	480,000 lb (240) 480,000 lb (240)	16,000 lb	0.7 - 35	Ø20" x 24" Ø20" x 24"	Ø20" x 5" Ø20" x 5"	8" - 18' 8" - 18'
WRD/WSD 200 WRI/WSI 200	200,000 lb (100) 200,000 lb (100)	400,000 lb (200) 400,000 lb (200)	600,000 lb (300) 600,000 lb (300)	16,000 lb	0.7 - 35	Ø20" x 32" Ø20" x 32"	Ø20" x 5" Ø20" x 5"	8" - 18' 8" - 18'
WSD 300 WSI 300	300,000 lb (150) 300,000 lb (150)	600,000 lb (300) 600,000 lb (300)	—	25,000 lb	1.0 - 48	— —	Ø20" x 5" Ø20" x 5"	24" - 20' 24" - 20'
WSD 400 WSI 400	400,000 lb (200) 400,000 lb (200)	800,000 lb (400) 800,000 lb (400)	—	38,000 lb	1.0 - 48	— —	Ø20" x 5" Ø20" x 5"	24" - 20' 24" - 20'
WSD 600 WSI 600	600,000 lb (300) 600,000 lb (300)	1,200,000 lb (600) 1,200,000 lb (600)	—	38,000 lb	1.0 - 48	— —	Ø20" x 7" Ø20" x 7"	24" - 20' 24" - 20'

All dimensions are for reference only and subject to change without notice.

AR Series

Portable Pipe Rolls PRD3/PRI3

The PRD3 and PRI3 rubber tired Driver and Idler rolls are lightweight portable rolls that can be easily carried and set up at the work site. Despite their compact size, 1 Driver and 2 Idlers have a capacity of up to 4 ½ ton.



Small Diameter auxiliary wheel sets
1 ½ in to 3 ½ in diameter range

1 Driver, 1 Idler = 3 ton
1 Driver, 2 Idlers = 4 ½ ton

MODEL	CAPACITY (kg)	DESCRIPTION	SHIPPING WEIGHT (kg)
PRD 3	3,000 lb (1,361)	3 ½" to 40" diameter range with single center setting. 40-1.4 IPM; 1-Turn speed pot on cabinet. On/off foot control. 9' power cord. 115/1/60 (Qty 1) 12" dia. x 3 ½" wide tire on each axle.	250 lb (113)
PRI 3	3,000 lb (1,361)	3 ½" to 40" diameter range with single center setting. (Qty 1) 12" dia. x 3 ½" wide tire on each axle.	120 lb (54)

WPR Pipe Rolls



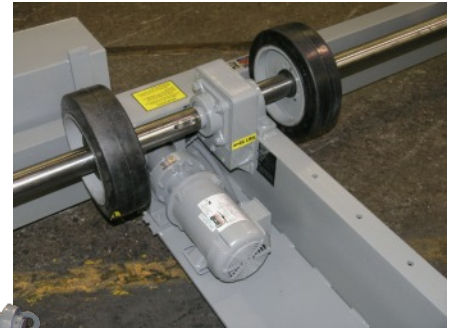
Taper Lock Hubs for Wheel Adjustment

Model WPR 51-48

- 5,000 lb Load Capacity
- 3 in to 24 in Diameter Range
- (Qty 1) 14 in Center Setting
- 48 in frame length
- 50-2 IPM at 1,200 lb Tractive Pull
- 30:1 SCR DC Drive
- Standard (Qty 4) 12 in diameter x 4 in wide tires 2/axle
- Other center settings and frame lengths available

AR Series

WRU Unit Turning Rolls



Wheels with taper lock bushings can be located anywhere along the length of the axles.

Koike Aronson Inc. / Ransome's WRU Unit Frame Turning Rolls provide a solution for safely turning heavy cylindrical vessels without marring, wrinkling, or indenting the workpiece.

The WRU system has capacities ranging from 5,000 lb to 30,000 lb, 12 in diameter x 4 in wide wheels have taper-lock hubs which can be located anywhere along the axles and require no keyways.

SPECIFICATIONS	WRU 5	WRU 10	WRU 20	WRU 30
Load Capacity	5,000 lb	10,000 lb	20,000 lb	30,000 lb
Diameter Range	3" - 6'	3" - 6'	3" - 6'	4" - 13'
Frame Length	144"	144"	152 1/2"	180"
Frame width	50 1/2"	50 1/2"	50 1/2"	82"
Tire Size Qty per axle	12" Dia x 4" Wide 3	12" Dia x 4" Wide 4	12" Dia x 4" Wide 6	16" Dia x 4" Wide 6
Speed Range IPM Tractive Pull	50-1 IPM 1,800 lb	50-1 IPM 1,800 lb	50-1 IPM 1,800 lb	50-1 IPM 3,000 lb
Shipping Weight	1,550 lb	1,800 lb	1,950 lb	6,000 lb
Matching Idler	WRUI 3	WRUI 6	WRUI 9	WRUI 12

All dimensions are for reference only and subject to change without notice.

MRD Series

5 Ton to 20 Ton Capacity



The MD series Turning Rolls have been designed with a budget in mind. The MD line comes standard in a constant centerline configuration and a single wheel drive. Optional dual wheel drive which can be factory installed or added at a later date by the customer, doubles the tractive pull provided.

The entire series features rubber tires with overload discs on each wheel as in our standard turning roll lines. Individual gear motors eliminate the need for drive shafts and make centerline setting adjustment quick and easy. All models come standard with a 20 ft hand pendant for control with the availability of a wide variety of options.

All Koike Aronson, Inc. Positioning equipment is completely manufactured and engineered in the U.S.A. utilizing all readily available components.

Capacities from 10,000 lb to 60,000 lb

Features

- Rubber tires
- NEMA 12 Electricals
- Constant Center-line
- Wide diameter range
- Low voltage hand control pendants
- Variable speed drives
- Single or dual wheel drive*
- 2 Year machine warranty
- 5 Year Variable Frequency Drive warranty



Standard hand pendant provided with all models

* It is highly recommended to choose dual wheel drive (DWD). Please consult factory for further details.

Specifications

MRD5-CCL / MRD10-CCL / MRD20-CCL



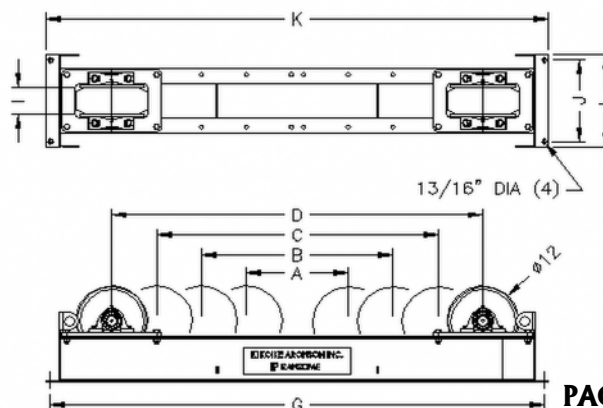
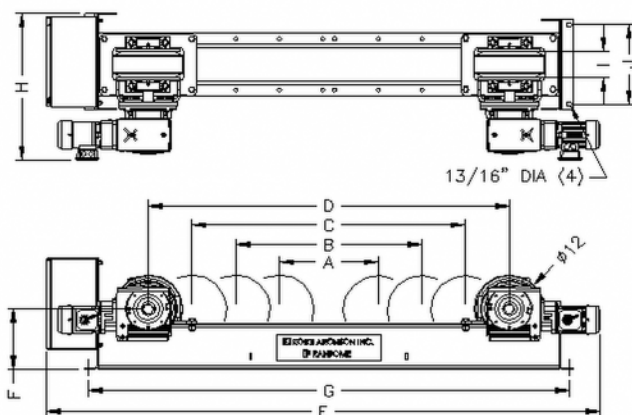
	MRD5-CCL / MRI5-CCL	MRD10-CCL / MRI10-CCL	MRD20-CCL / MRI20-CCL
Capacity Per Unit	5,000 lb (2 ½ Ton)	10,000 lb (5 Ton)	20,000 lb (10 Ton)
Capacity Driver/1 Idler	10,000 lb (5 Ton)	20,000 lb (10 Ton)	40,000 lb (20 Ton)
Capacity Driver/2 Idler	15,000 lb (7 ½ Ton)	30,000 lb (15 Ton)	60,000 lb (30 Ton)
Standard Diameter Range	6" - 13'	6" - 13'	6" - 13'
Speed Range, IPM	1 - 40 IPM	1 - 40 IPM	1 - 40 IPM
Horse Power	(2) .125 Hp	(2) .25 Hp	(2) .33 Hp
Tractive Pull (lb) (Single Wheel Drive)	500 lb	800 lb	1,000 lb
Tractive Pull (lb) Optional (Dual Wheel Drive)	1,000 lb	1,600 lb	2,000 lb
Wheel Diameter	12"	12"	12"
Dim 'A' Center Distance Diameter Range	17" 6" - 36" Dia. Range	17" 6" - 36" Dia. Range	17" 6" - 36" Dia. Range
Dim 'B' Center Distance Diameter Range	32" 36" - 72" Dia. Range	32" 36" - 72" Dia. Range	32" 36" - 72" Dia. Range
Dim 'C' Center Distance Diameter Range	47" 72" - 120" Dia. Range	47" 72" - 120" Dia. Range	47" 72" - 120" Dia. Range
Dim 'D' Center Distance Diameter Range	62" 120" - 156" Dia. Range	62" 120" - 156" Dia Range	62" 120" - 156" Dia Range
Dim E	106 ½"	106 ½"	111 ½"
Dim F	10 ⅝"	10 ⅝"	12 ⅝"
Dim G	82 ½"	82 ½"	82 ¾"
Dim H	27"	27"	34 ¼"
Dim I (Rubber Width) Number of tires/axle(s)	4 ½ " 1	4 ½ " 1	14 ¼ " 3
Dim J	16"	16"	25"
Dim K	84"	84"	84 ½"
Dim L	18"	18"	27"
Approximate Weight Driver	950 lb	950 lb	1,600 lb
Approximate Weight Idler	450 lb	450 lb	1100 lb
Standard Voltage	115/1/60	115/1/60	115/1/60



Dual Wheel Drive

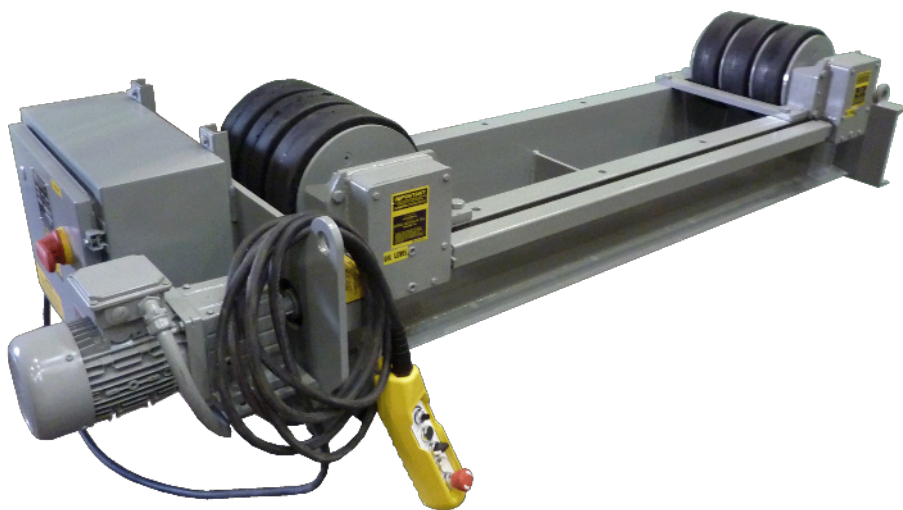
Optional second drive wheel provides increased tractive pull for eccentric loads and increased turning traction for vessels with external long seam welds and uneven contact surfaces.

Option can be added direct from the factory or by the customer at a later date.



AR Series

5 Ton to 20 Ton capability



This light weight series has been engineered for the effective positioning of long cylindrical work-pieces. Tanks, pressure vessels, and pipe are all well suited applications to utilize turning rolls. Long objects that are not cylindrical may be adapted with the aid of custom designed support rings.

The Aronson design incorporates overload discs on each wheel that prevent excessive loads from damaging the tires. Along with superior performance capabilities, Koike Aronson, Inc. turning rolls are extremely durable and utilize the strongest worm gears, welded gearboxes, and chassis components.

Capacities from 10,000 lb to 60,000 lb

Features

- Rubber or Steel Wheels
- NEMA 12 Electricals
- Wide diameter range capability
- Overload disc with tie-rod wheel construction
- Low voltage hand control pendants
- 50:1 Variable speed drives
- AC brake motors



Standard hand pendant provided with all models



Optional foot switch controls available

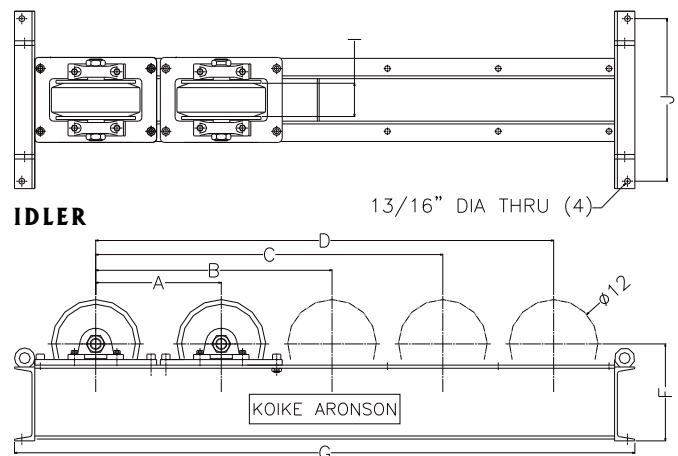
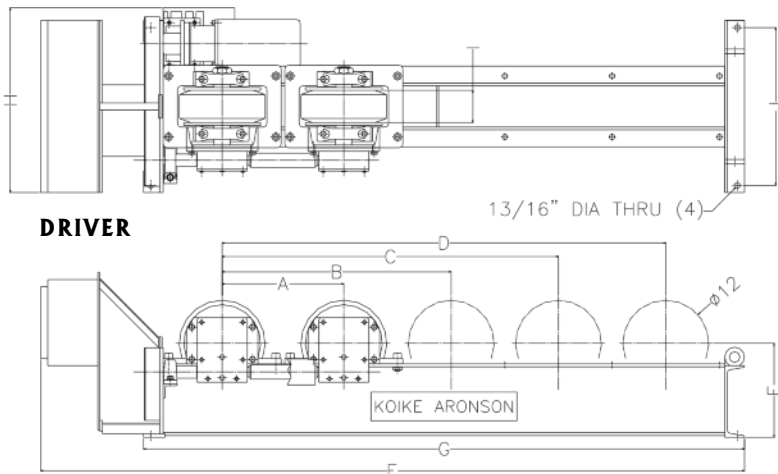
Specifications

WRD 5 to WRD 20 (Aronson Design)

MODEL	WRD 5 / WRI 5	WRD 10 / WRI 10	WRD 15 / WRI 15	WRD 20 / WRI 20
Capacity Per Unit	5,000 lb (2 ½ ton)	10,000 lb (5 ton)	15,000 lb (7 ½ ton)	20,000 lb (10 ton)
Capacity Driver / 1 Idler	10,000 lb (5 ton)	20,000 lb (10 ton)	30,000 lb (15 ton)	40,000 lb (20 ton)
Capacity Driver / 2 Idler	15,000 lb (7 ½ ton)	30,000 lb (15 ton)	45,000 lb (22 ½ ton)	60,000 lb (30 ton)
Std. Dia. Range	6" - 13'	6" - 13'	6" - 13'	6" - 13'
Speed Range, IPM	50 - 2.0 ipm 1/2 Hp	50 - 1.0 ipm 0.6 Hp	50 - 1.0 ipm 1 Hp	50 - 1.0 ipm 1.23 Hp
Tractive Pull (lb)	1,200 lb	1,800 lb	2,400 lb	3,000 lb
Wheel Diameter	12"	12"	12"	12"
Dim 'A' Center Distance Diameter Range	17" 6 - 36" Dia. Range	17" 6 - 36" Dia. Range	17" 6 - 36" Dia. Range	17" 6 - 36" Dia. Range
Dim 'B' Center Distance Diameter Range	32" 30 - 72" Dia. Range	32" 30 - 72" Dia. Range	32" 30 - 72" Dia. Range	32" 30 - 72" Dia. Range
Dim 'C' Center Distance Diameter Range	47" 66 - 120" Dia. Range	47" 66 - 120" Dia. Range	47" 66 - 120" Dia. Range	47" 66 - 120" Dia. Range
Dim 'D' Center Distance Diameter Range	62" 108 - 156" Dia Range	62" 108 - 156" Dia Range	62" 108 - 156" Dia Range	62" 108 - 156" Dia Range
Dim E	98 ¾"	98 ¾"	99 ½"	97 ¼"
Dim F	13 ⅞"	13 ⅞"	13 ⅞"	13 ⅞"
Dim G	84"	84"	84"	84"
*Dim H	25 ¾"	25 ¾"	29 7/8"	35 ¾"
Dim I (Rubber Width) # of tires/ axle(s)	4" 1	4 ½" 1	8.4" 2	12 ¾" 3
Dim I (Steel Width)	4"	4"	4 ½"	4 ¾"
*Dim J	22"	22"	26 ¾"	26 ¾"
Dim K	84"	84"	84"	84"
Dim L	24"	24"	28 ¾"	28 ¾"
Approx. Weight Driver	900 lb	1,149 lb	1,285 lb	1,400 lb
Approx. Weight Idler	450 lb	500 lb	800 lb	950 lb
Standard Voltage	115/1/60	460/3/60	460/3/60	460/3/60

All dimensions are for reference only and subject to change without notice.

*Dimensions for rubber tires only, consult factory for steel roll dimension.



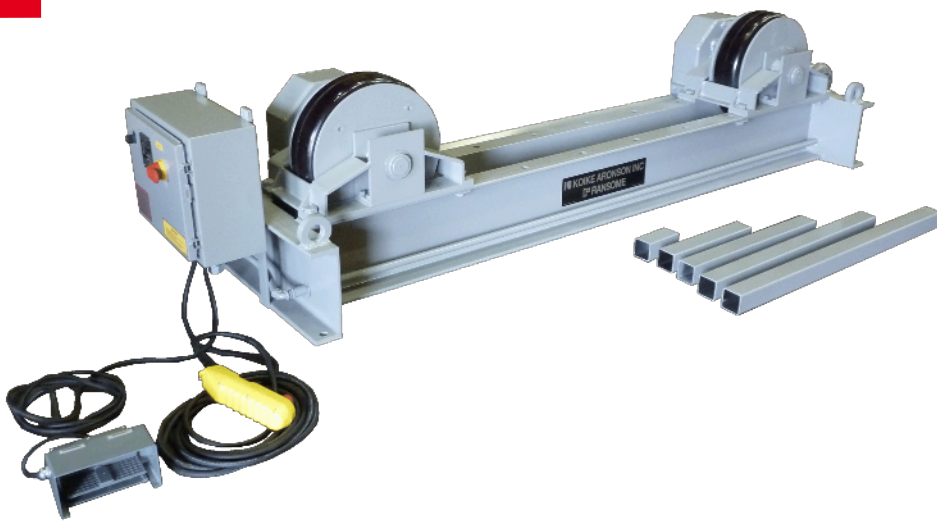
 Koike Aronson Inc.

P.O. Box 307, Arcade, New York 14009
Phone (585) 492-2400 Fax (585) 457-3517

www.koike.com

AR Series

30 Ton to 200 Ton capability



This medium range series has been engineered for the effective positioning of long cylindrical work-pieces. Tanks, pressure vessels, and pipe are all well suited applications to utilize turning rolls. Long objects that are not cylindrical may be adapted with the aid of custom designed support rings.

The Aronson design incorporates overload discs on each wheel that prevent excessive loads from damaging the tires. Along with superior performance capabilities, Koike Aronson, Inc. turning rolls are extremely durable and utilize the strongest worm gears, welded gearboxes, and chassis components.

Capacities from 60,000 lb to 400,000 lb

Features

- Rubber or Steel Wheels
- NEMA 12 Electricals
- Wide diameter range capability
- Overload disc with tie-rod wheel construction
- Low voltage hand control pendants
- 50:1 Variable speed drives
- AC brake motors



Standard hand pendant provided with all models



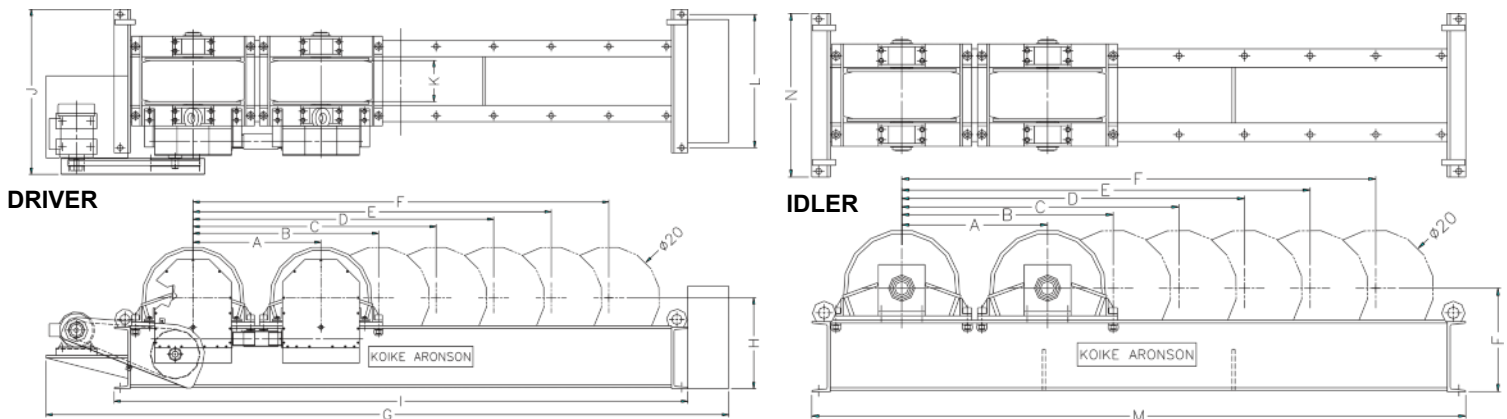
Optional foot switch controls available

Specifications

WRD 30 to WRD 200 (Aronson Design)

MODEL	WRD 30 / WRI 30	WRD 40 / WRI 40	WRD 60 / WRI 60	WRD 80 / WRI 80	WRD 90 / WRI 90	WRD 120 / WRI 120	WRD 160 / WRI 160	WRD 200 / WRI 200
Capacity Per Unit	30,000 lb (15 ton)	40,000 lb (20 ton)	60,000 lb (30 ton)	80,000 lb (40 ton)	90,000 lb (45 ton)	120,000 lb (60 ton)	160,000 lb (80 ton)	200,000 lb (100 ton)
Capacity Driver / 1 Idler	60,000 lb (30 ton)	80,000 lb (40 ton)	120,000 lb (60 ton)	160,000 lb (80 ton)	180,000 lb (90 ton)	240,000 lb (120 ton)	320,000 lb (160 ton)	400,000 lb (200 ton)
Capacity Driver / 2 Idler	90,000 lb (45 ton)	120,000 lb (60 ton)	180,000 lb (90 ton)	240,000 lb (120 ton)	270,000 lb (135 ton)	320,000 lb (160 ton)	360,000 lb (180 ton)	400,000 lb (200 ton)
Dia. Range	8" - 18'	8" - 18'	8" - 18'	8" - 18'	8" - 18'	8" - 18'	8" - 18'	8" - 18'
Speed Range	40 - 0.8 ipm 2 Hp	40 - 0.8 ipm 2 Hp	40 - 0.8 ipm 2 Hp	35 - 0.7 ipm 2 HP	35 - 0.7 ipm 5 Hp	35 - 0.7 ipm 5 Hp	35 - 0.7 ipm 5 Hp	35 - 0.7 ipm 5 Hp
Tractive Pull	6,000 lb	6,000 lb	6,000 lb	7,200 lb	8,000 lb	8,000 lb	16,000 lb	16,000 lb
Wheel Dia.	20"	20"	20"	20"	20"	20"	20"	20"
Dim 'A' Center Diameter	25" 8" - 48" Dia.	25" 8" - 48" Dia.	25" 8" - 48" Dia.	25" 8" - 48" Dia.	25" 8" - 48" Dia.	25" 8" - 48" Dia.	25" 8" - 48" Dia.	25" 8" - 48" Dia.
Dim 'B' Center Diameter	36 1/4" 18" - 72" Dia.	36 1/4" 18" - 72" Dia.	36 1/4" 18" - 72" Dia.	36 1/4" 18" - 72" Dia.	36 1/4" 18" - 72" Dia.	36 1/4" 18" - 72" Dia.	36 1/4" 18" - 72" Dia.	36 1/4" 18" - 72" Dia.
Dim 'C' Center Diameter	47 1/2" 48" - 108" Dia.	47 1/2" 48" - 108" Dia.	47 1/2" 48" - 108" Dia.	47 1/2" 48" - 108" Dia.	47 1/2" 48" - 108" Dia.	47 1/2" 48" - 108" Dia.	47 1/2" 48" - 108" Dia.	47 1/2" 48" - 108" Dia.
Dim 'D' Center Diameter	58 3/4" 60" - 132" Dia.	58 3/4" 60" - 132" Dia.	58 3/4" 60" - 132" Dia.	58 3/4" 60" - 132" Dia.	58 3/4" 60" - 132" Dia.	58 3/4" 60" - 132" Dia.	58 3/4" 60" - 132" Dia.	58 3/4" 60" - 132" Dia.
Dim 'E' Center Diameter	70" 84" - 168" Dia.	70" 84" - 168" Dia.	70" 84" - 168" Dia.	70" 84" - 168" Dia.	70" 84" - 168" Dia.	70" 84" - 168" Dia.	70" 84" - 168" Dia.	70" 84" - 168" Dia.
Dim 'F' Center Diameter	81 1/4" 108" - 216" Dia.	81 1/4" 108" - 216" Dia.	81 1/4" 108" - 216" Dia.	81 1/4" 108" - 216" Dia.	81 1/4" 108" - 216" Dia.	81 1/4" 108" - 216" Dia.	81 1/4" 108" - 216" Dia.	81 1/4" 108" - 216" Dia.
Dim G	134"	134"	134"	134"	134"	140"	125 1/4"	128 1/4"
Dim H	17 3/4"	17 3/4"	17 3/4"	17 3/4"	17 3/4"	17 3/4"	17 3/4"	17 3/4"
Dim I	112 3/4"	112 3/4"	112 3/4"	112 3/4"	112 3/4"	113 3/4"	114 1/4"	114 1/4"
*Dim J	32"	34"	38"	40"	48"	54 1/2"	65 1/2"	73 1/2"
Dim K (Rubber) # of tires/axle(s)	7" 1	9" 1	13 1/2" 2	17 1/2" 2	20" 3	26" 3	26" 3	34 1/2" 4
Dim K (Steel Width)	5"	5"	5"	5"	5"	5"	5"	5"
*Dim L	26"	32"	32"	32"	32"	40"	40"	48"
Dim M	112 3/4"	112 3/4"	112 3/4"	112 3/4"	112 3/4"	113 3/4"	114 1/4"	114 1/4"
*Dim N	28"	28"	34"	34"	42"	42"	42"	50"
Weight Driver	2,600 lb	2,800 lb	3,100 lb	3,500 lb	3,500 lb	4,400 lb	5,500 lb	6,500 lb
Weight Idler	1,700 lb	2,100 lb	2,400 lb	2,700 lb	2,700 lb	3,500 lb	4,000 lb	4,500 lb
Std. Voltage	460/3/60	460/3/60	460/3/60	460/3/60	460/3/60	460/3/60	460/3/60	460/3/60

All dimensions are for reference only and subject to change without notice. *Dimension for rubber tires only, consult factory for steel roll dimension.



 Koike Aronson Inc.

P.O. Box 307, Arcade, New York 14009
Phone (585) 492-2400 Fax (585) 457-3517
www.koike.com

AR Series

300 Ton to 1,200 Ton



This heavy weight series has been engineered for the effective positioning of long cylindrical work-pieces. Tanks, pressure vessels, and pipe are all well suited applications to utilize turning rolls. Long objects that are not cylindrical may be adapted with the aid of custom designed support rings.

The Aronson design incorporates solid steel wheels and axles for high load capabilities. Along with superior performance capabilities, Koike Aronson, Inc. turning rolls are extremely durable and utilize the strongest worm gears, welded gearboxes, and chassis components.

Capacities from 600,000 lb to 2,400,000 lb



KOIKE ARONSON, INC. / RANSOME

Features

- **Machined Steel Wheels**
- **NEMA 12 Electricals**
- **Wide diameter range capability**
- **Low voltage hand control pendants**
- **50:1 Variable speed drives**
- **AC brake motors**



Standard hand pendant provided with all models



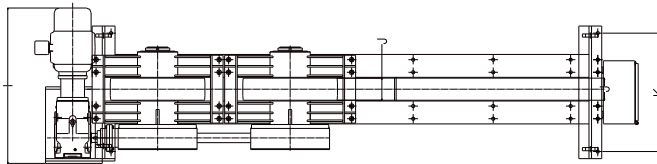
Optional foot switch controls available

Specifications

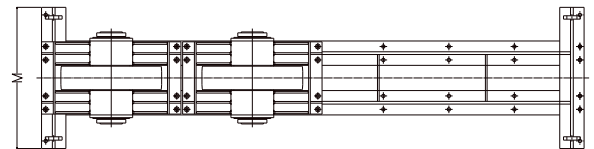
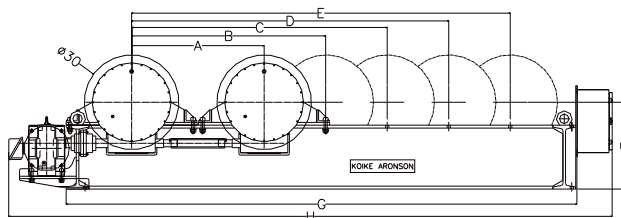
WSD 300 to WSD 1200 (Aronson Design)

MODEL	WSD 300 / WSI 300	WSD 400 / WSI 400	WSD 600 / WSI 600	WSD 800 / WSI 800	WSD 1200 / WSI 1200
Capacity Per Unit	300,000 lb (150ton)	400,000 lb (200 ton)	600,000 lb (300 ton)	800,000 lb (400 ton)	1,200,000 lb (600 ton)
Capacity Driver / 1 Idler	600,000 lb (300 ton)	800,000 lb (400 ton)	1,200,000 lb (600 ton)	1,600,000 lb (800 ton)	2,400,000 lb (1,200 ton)
Capacity Driver /2 Idler	600,000 lb (300 ton)	800,000 lb (400 ton)	1,200,000 lb (600 ton)	1,600,000 lb (800 ton)	2,400,000 lb (1,200 ton)
Std. Dia. Range	24" - 20'	24" - 20'	36" - 23'	36" - 23'	36" - 23'
Speed Range, IPM	48 - 0.96 ipm	43 - 0.86 ipm	46 - 0.92 ipm	48 - 0.96 ipm	40 - 0.8 ipm
Tractive Pull (lb)	25,000 lb	38,000 lb	38,000 lb	50,000 lb	75,000 lb
Wheel Diameter	28"	28"	30"	30"	32"
Dim 'A' Center Distance Diameter Range	42" 24" - 96" Dia. Range	42" 24" - 96" Dia. Range	42" 36" - 96" Dia. Range	42" 36" - 96" Dia. Range	42" 36" - 96" Dia. Range
Dim 'B' Center Distance Diameter Range	61 1/2" 60" - 144" Dia. Range	61 1/2" 60" - 144" Dia. Range	61 1/2" 60" - 144" Dia. Range	61 1/2" 60" - 144" Dia. Range	61 1/2" 60" - 144" Dia. Range
Dim 'C' Center Distance Diameter Range	81" 84" - 192" Dia. Range	81" 84" - 192" Dia. Range	81" 84" - 192" Dia. Range	81" 84" - 192" Dia. Range	81" 84" - 192" Dia. Range
Dim 'D' Center Distance Diameter Range	100 1/2" 120" - 240" Dia Range	100 1/2" 120" - 240" Dia Range	100 1/2" 120" - 240" Dia Range	100 1/2" 120" - 240" Dia Range	100 1/2" 120" - 240" Dia Range
Dim 'E' Center Distance Diameter Range	-	-	120" 162" - 280" Dia Range	120" 162" - 280" Dia Range	120" 162" - 280" Dia Range
Dim F	28"	28"	27 1/2"	27 1/2"	32"
Dim G	162"	162"	162"	162"	162"
Dim H	191 1/4"	191 1/4"	191 1/4"	191 1/4"	191 1/4"
Dim I	49"	49"	49"	49"	49"
Dim J (Wheel Width)	5"	5"	7"	7"	10"
Dim K	37 1/2"	37 1/2"	37 1/2"	37 1/2"	37 1/2"
Dim L	161 1/2"	161 1/2"	162"	162"	162"
Dim M	42"	42"	42"	42"	48"
Approx. Weight Driver	9,615 lb	9,615 lb	11,610 lb	17,000 lb	36,000 lb
Approx. Weight Idler	6,617 lb	6,617 lb	10,600 lb	12,500 lb	24,000 lb
Standard Voltage	460/3/60	460/3/60	460/3/60	460/3/60	460/3/60

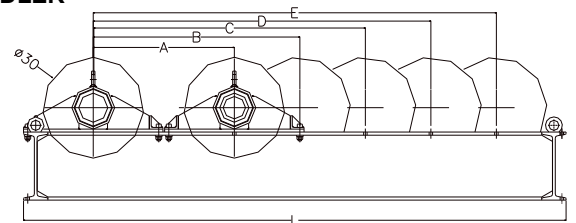
All dimensions are for reference only and subject to change without notice.



DRIVER

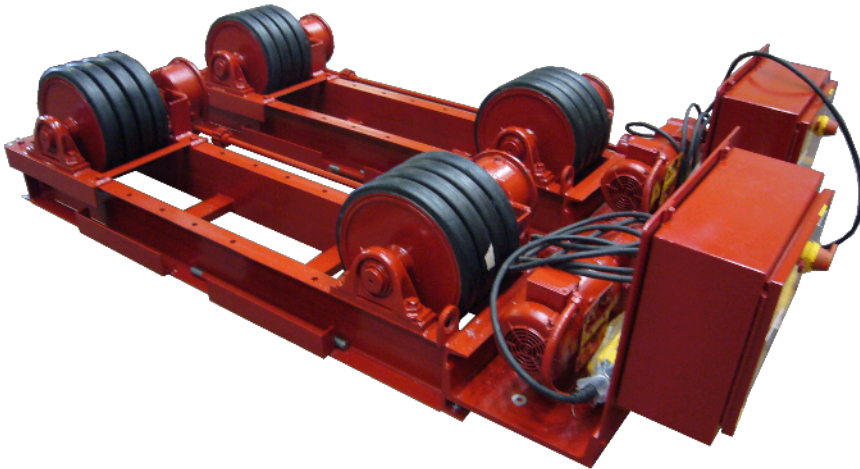


IDLER



RR Series

A-AAA Ransome Rolls 5 Ton to 20 Ton



Koike Aronson, Inc./Ransome Turning Rolls are engineered and built for the most effective positioning of long cylindrical work pieces. Tanks, pressure vessels, and pipe are all well suited for industrial applications utilizing Turning Rolls. Long awkward objects may be adapted to these Positioners with the use of false rings.

Offering the widest range of styles and capacities in the world, with many options available to customize your application, Koike Aronson, Inc./Ransome Turning Rolls ensure continuous production with dependable performance. Given Koike Aronson, Inc./Ransome's commitment to engineering excellence, you can be assured of the highest quality features designed to meet your needs for high performance Turning Rolls.

**Constant centerline, steel wheels,
tachometers, foot controls, and special
engineered designs available.**

Features

- Rubber or Steel Wheels
- NEMA 12 Electricals
- Wide diameter range capability
- Low voltage hand control pendants
- 50:1 Variable speed drives
- AC brake motors



**Standard hand pendant
provided with all models**



**Optional foot switch
controls available**

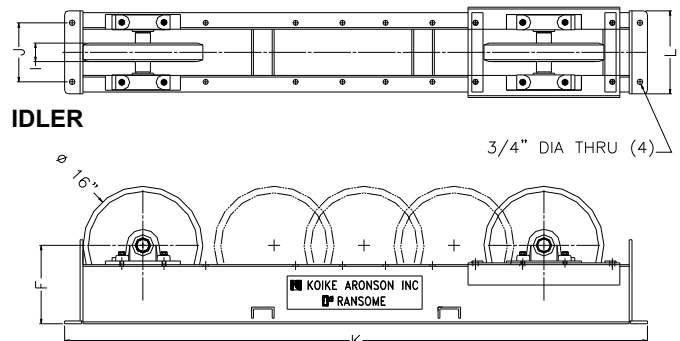
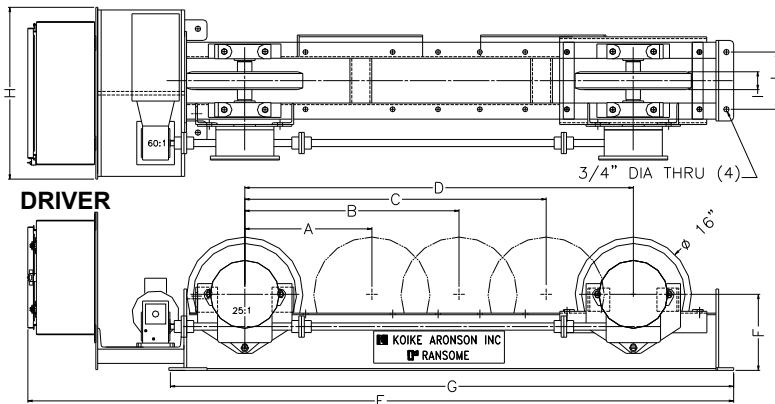
Specifications

A-AAA Ransome Design Rolls

MODEL	MODEL A	MODEL AA	MODEL AAA
Capacity Per Unit	5,000 lb (2.5 ton)	10,000 lb (5 ton)	20,000 lb (10 ton)
Capacity Driver / 1 Idler	10,000 lb (5 ton)	20,000 lb (10 ton)	40,000 lb (20 ton)
Capacity Driver / 2 Idler	15,000 lb (7.5 ton)	30,000 lb (15 ton)	60,000 lb (30 ton)
Std. Dia. Range	5" - 12'	5" - 12'	5" - 12'
Speed Range, IPM	58 - 1.16 1/2 Hp	58 - 1.16 3/4 Hp	60 - 1.2 1-1/2 Hp
Tractive Pull	1,250 lb	1,900 lb	3,500 lb
Wheel Diameter	16"	16"	16"
Dim 'A' Center Distance Diameter Range	17 1/2" 5" - 28" Dia. Range	17 1/2" 5" - 28" Dia. Range	17 1/2" 5" - 28" Dia. Range
Dim 'B' Center Distance Diameter Range	29 1/2" 28" - 60" Dia. Range	29 1/2" 28" - 60" Dia. Range	29 1/2" 28" - 60" Dia. Range
Dim 'C' Center Distance Diameter Range	41 1/2" 60" - 92" Dia. Range	41 1/2" 60" - 92" Dia. Range	41 1/2" 60" - 92" Dia. Range
Dim 'D' Center Distance Diameter Range	53 1/2" 92" - 144" Dia Range	53 1/2" 92" - 144" Dia Range	53 1/2" 92" - 144" Dia Range
Dim E	95 7/8"	98 3/4"	100 5/16"
Dim F	10 5/8"	10 5/8"	11 3/4"
Dim G	77 3/16"	77 3/4"	74 1/2"
Dim H	24"	24"	29"
Dim I (Wheel Width) # of tires / axle(s)	2 1/2" 1	5" 2	10" 4
Dim J	8"	8"	15 1/8"
Dim K	77 3/4"	77 3/4"	78"
Dim L	12 1/4"	12 1/4"	18 5/8"
Approx. Weight Driver	700 lb	730 lb	1,250 lb
Approx. Weight Idler	416 lb	375 lb	751 lb



All dimensions are for reference only and subject to change without notice.



 Koike Aronson Inc.

P.O. Box 307, Arcade, New York 14009
Phone (585) 492-2400 Fax (585) 457-3517
www.koike.com

RR Series

B-E Ransome Rolls 30 Ton to 120 Ton



Koike Aronson, Inc. / Ransome Turning Rolls are engineered and built for the most effective positioning of long cylindrical work pieces. Tanks, pressure vessels, and pipe are all well suited for industrial applications utilizing Turning Rolls. Long awkward objects may be adapted to these Positioners with the use of false rings.

Offering the widest range of styles and capacities in the world, with many options available to customize your application, Koike Aronson, Inc. / Ransome Turning Rolls ensure continuous production with dependable performance. Given Koike Aronson, Inc. / Ransome's commitment to engineering excellence you can be assured of the highest quality features designed to meet your needs for high performance Turning Rolls.

Constant Centerline, Steel wheels, Tachometers, foot controls and special engineered designs available.

Features

- Rubber or Steel Wheels
- NEMA 12 Electricals
- Wide diameter range capability
- Low voltage hand control pendants
- 50:1 Variable speed drives
- AC brake motors



Standard hand pendant provided with all models



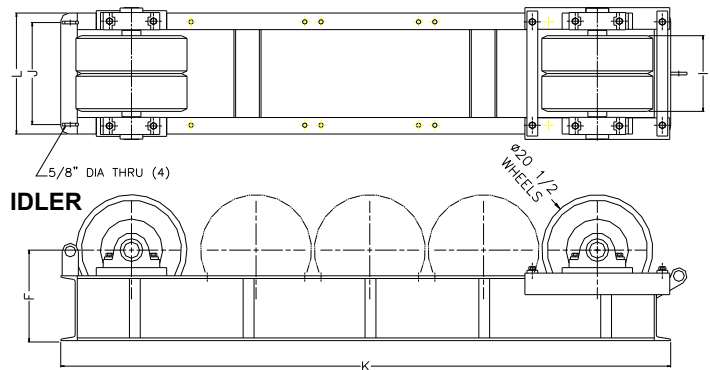
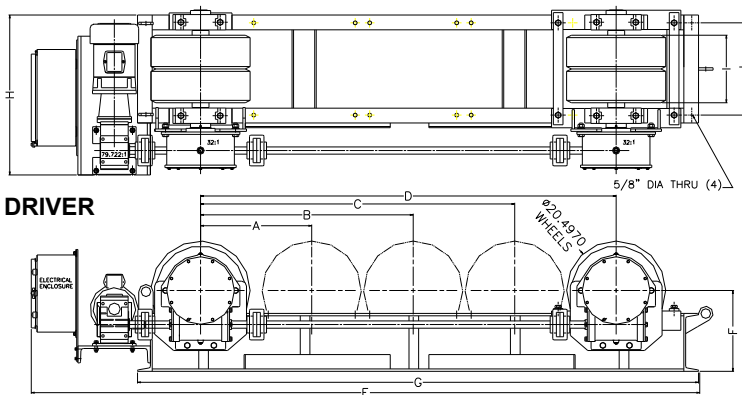
Optional foot switch controls available

Specifications

B-E Ransome Design Rolls

MODEL	MODEL B	MODEL B-OD	MODEL C	MODEL D	MODEL E
Capacity Per Unit	30,000 lb (15 ton)	40,000 lb (20 ton)	60,000 lb (30 ton)	90,000 lb (45 ton)	120,000 lb (60 ton)
Capacity Driver /1 Idler	60,000 lb (30 ton)	80,000 lb (40 ton)	120,000 lb (60 ton)	180,000 lb (90 ton)	240,000 lb (120 ton)
Capacity Driver /2 Idler	90,000 lb (45 ton)	120,000 lb (60 ton)	180,000 lb (90 ton)	270,000 lb (135 ton)	360,000 lb (180 ton)
Std. Dia. Range	7" - 20"	7" - 20"	7" - 20"	7" - 20"	7" - 20"
Speed Range, IPM	43 - 0.86 1.74 Hp	43 - 0.86 1.74 Hp	43 - 0.86 2.4 Hp	42 - 0.84 3 Hp	36 - 0.72 5 Hp
Tractive Pull	6,000 lb	6,000 lb	8,000 lb	11,000 lb	18,000 lb
Wheel Diameter	20 1/2"	20 1/2"	20 1/2"	20 1/2"	20 1/2"
Dim 'A' Center Distance Diameter Range	23" 7" - 40" Dia. Range	23" 7" - 40" Dia. Range	23" 7" - 40" Dia. Range	23" 7" - 40" Dia. Range	23" 7" - 40" Dia. Range
Dim 'B' Center Distance Diameter Range	44" 40" - 96" Dia. Range	44" 40" - 96" Dia. Range	44" 40" - 96" Dia. Range	44" 40" - 96" Dia. Range	44" 40" - 96" Dia. Range
Dim 'C' Center Distance Diameter Range	65" 70" - 150" Dia. Range	65" 70" - 150" Dia. Range	65" 70" - 150" Dia. Range	65" 70" - 150" Dia. Range	65" 70" - 150" Dia. Range
Dim 'D' Center Distance Diameter Range	86" 140" - 240" Dia Range	86" 140" - 240" Dia Range	86" 140" - 240" Dia Range	86" 140" - 240" Dia Range	86" 140" - 240" Dia Range
Dim E	138"	138"	138"	141 1/4"	159 1/16"
Dim F	16 3/4"	16 3/4"	16 3/4"	16 3/4"	16 3/4"
Dim G	115 7/8"	115 7/8"	116 1/8"	116 1/8"	126 1/16"
Dim H	28 3/4"	28 3/4"	28 3/4"	42"	51 3/4"
Dim I (Wheel Width) # of tires / Axle(s)	7" 1	7" + (2) 5/8" O.L. Disc 1	14" 2	21" 3	28" 4
Dim J	13 5/8"	13 5/8"	19 1/8"	27 3/4"	36 1/2"
Dim K	115 7/8"	115 7/8"	116 1/8"	116 1/8"	126 3/4"
Dim L	17"	17"	24 3/8"	31 1/4"	36 1/8"
Approx. Weight Driver	1,412 lb	1,612 lb	2,200 lb	3,300 lb	4,682 lb
Approx. Weight Idler	1,122 lb	1,322 lb	1,435 lb	1,958 lb	2,910 lb

All dimensions are for reference only and subject to change without notice.



 Koike Aronson Inc.

P.O. Box 307, Arcade, New York 14009
 Phone (585) 492-2400 Fax (585) 457-3517
www.koike.com

Anti-Drift Turning Rolls

Automatically compensates for vessel irregularities and roll misalignment



The Anti-Drift Roll has two synchronized “Steerable Wheels”. Each axle is connected to a gearbox which is driven by an AC servo motor. As each axle is rotated, the relationship between the axis of rotation of each wheel and the axis of rotation of the vessel changes. This change creates a thrust load on the vessel to counter vessel lateral movement. The amount and direction of axle rotation is commanded by the Anti-Drift Control.

Each axle is fitted with a “Neutral Position Indicator” (arrow) to provide a reference to the plane of rotation for the wheel. During initial set-up, the axles are rotated to visually align each arrow to the contact point between the wheels and the vessel ensuring that the centerline of rotation of each wheel is nearly in the same plane as the centerline of the vessel and that maximum “steering” can be accomplished with +/- 90° rotation of each axle.

During operation, an electrical signal from the Drift Sensor (transducer or laser that tracks the vessel) is fed to the Anti-Drift Control. The control commands the idler axles to rotate in proportion to the error signal and in the correct direction to counter the vessel drift.

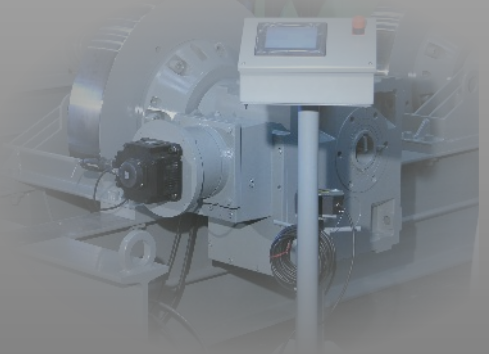
The system maintains a vessels girth joint within +/-3 mm maximum longitudinal movement.

A programmable over travel distance produces an audible alarm and delayed rotation stop in the event the vessel drift exceeds this value.

Capacities from 10 ton to 1,200 ton

Features

- Holds axial vessel position within +/- 3mm (.12”)
- Produces minimal vessel movement during Anti-Drift correction
- Low maintenance and upkeep cost due to design
- Quick vessel response to anti-drift correction
- Both laser and roller contact drift sensors available
- Steel and Rubber wheels available
- Constant Centerline Models Available
- Can work with existing drive rolls

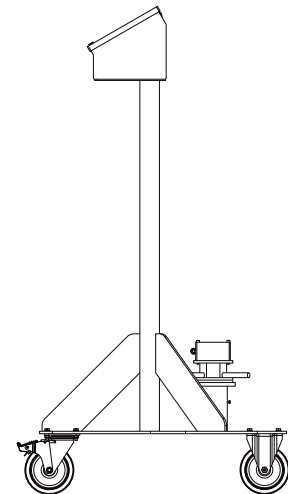
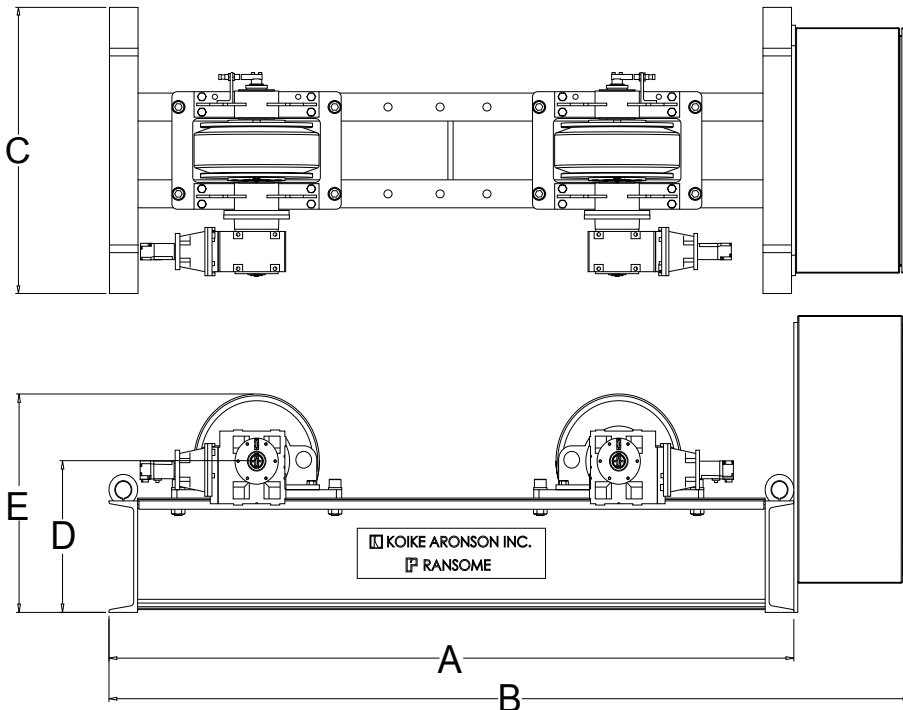


Specifications

Anti-Drift Turning Rolls

MODEL	WRI 10-AD	WRI 30-AD	WSI 60-AD	WSI 90-AD	WSI 120-AD	WSI 200-AD	WSI 300-AD	WSI 400-AD	WSI 600-AD	WSI 800-AD	WSI 1200-AD
Capacity Per Unit	5 ton	15 ton	30 ton	45 ton	60 ton	100 ton	150 ton	200 ton	300 ton	400 ton	600 ton
Matching Drive Roll	WRD10	WRD30	WSD60	WSD90	WSD120	WSD200	WSD300	WSD400	WSD600	WSD800	WSD1200
Diameter Range	22" - 13'	30" - 16'	30" - 16'	30" - 16'	30" - 16'	30" - 16'	56" - 18'	56" - 18'	54" - 24'	102" - 16'	96" - 32'
Wheel Size	12" Dia x 4 3/4" Wide	20" Dia x 7" Wide	20" Dia x 5" Wide	20" Dia x 5" Wide	20" Dia x 5" Wide	20" Dia x 5" Wide	28" Dia x 5" Wide	28" Dia x 5" Wide	30" Dia x 7" Wide	30" Dia x 7" Wide	32" Dia x 10" Wide
Wheel material	RUBBER	RUBBER	STEEL	STEEL	STEEL	STEEL	STEEL	STEEL	STEEL	STEEL	STEEL
Number of Center Settings	7	6	6	6	6	6	4	4	5	2	5
'A' Frame Length	65 1/2"	112 3/4"	112 3/4"	112 3/4"	112 3/4"	112 3/4"	142"	142"	161 1/2"	157"	234"
Capacity Per Unit	76 3/4"	124"	124"	124"	124"	124"	152 1/4"	152 1/4"	171 1/2"	157"	234"
'C' Overall width	28"	36"	40"	42"	43"	44"	44"	45"	48"	48"	54"
'D' Wheel Centerline Height	13 5/16"	17 3/4"	17 3/4"	17 3/4"	17 3/4"	20 3/4"	27 3/8"	27 3/8"	27 1/2"	25 1/2"	32"
'E' Overall Height	19 5/16"	27 3/4"	27 3/4"	27 3/4"	27 3/4"	30 3/4"	41 3/8"	41 3/8"	42 1/2"	40 1/2"	48"
Voltage	460/3/60	460/3/60	460/3/60	460/3/60	460/3/60	460/3/60	460/3/60	460/3/60	460/3/60	460/3/60	460/3/60

All dimensions are for reference only and subject to change without notice.



**ANTI-DRIFT CONTROL STAND
W/ LASER**

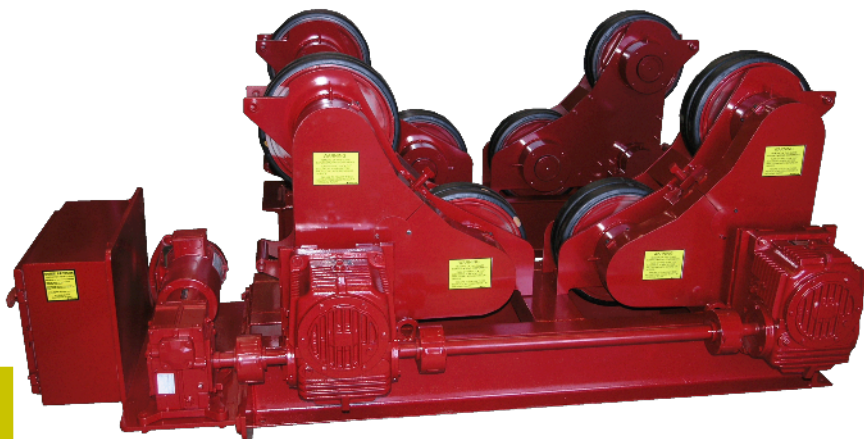
 Koike Aronson Inc.

P.O. Box 307, Arcade, New York 14009
Phone (585) 492-2400 Fax (585) 457-3517

www.koike.com

TR Series

Self Aligning Turning Rolls SA-Rolls



Self-Aligning Turning rolls adjust wheel centerline setting automatically when the vessel is lowered into place. There are no couplings to change, no pins to remove or replace, "SA-Rolls" provides constant centerline capabilities making setup and alignment quick and easy. The self-aligning rollers, which maintain a constant centerline, can rotate workpieces with diameters as small as 12 in and as large as 16 ft without adjustment or change of drive shafts. SA-Rolls are available in 15 ton to 180 ton capacity sets. Rolls are powered with AC variable frequency drives and motors providing a large range of rotation speeds. Hand held operator pendants are standard, with optional foot switch controls available.

The automatically infinitely adjustable centerline settings provide easy alignment for tapered vessels, while the added surface area of (4) wheels per unit provide additional support for thin walled vessels.

Capacities from 15 Ton to 180 Ton

Features

- Rubber Tires
- Self Aligning, no adjustment required
- 12 in to 16 ft Diameter range
- Ideal for tapered workpieces
- 50:1 Variable speed drives
- Thin Walled vessels



Standard hand pendant provided with all models



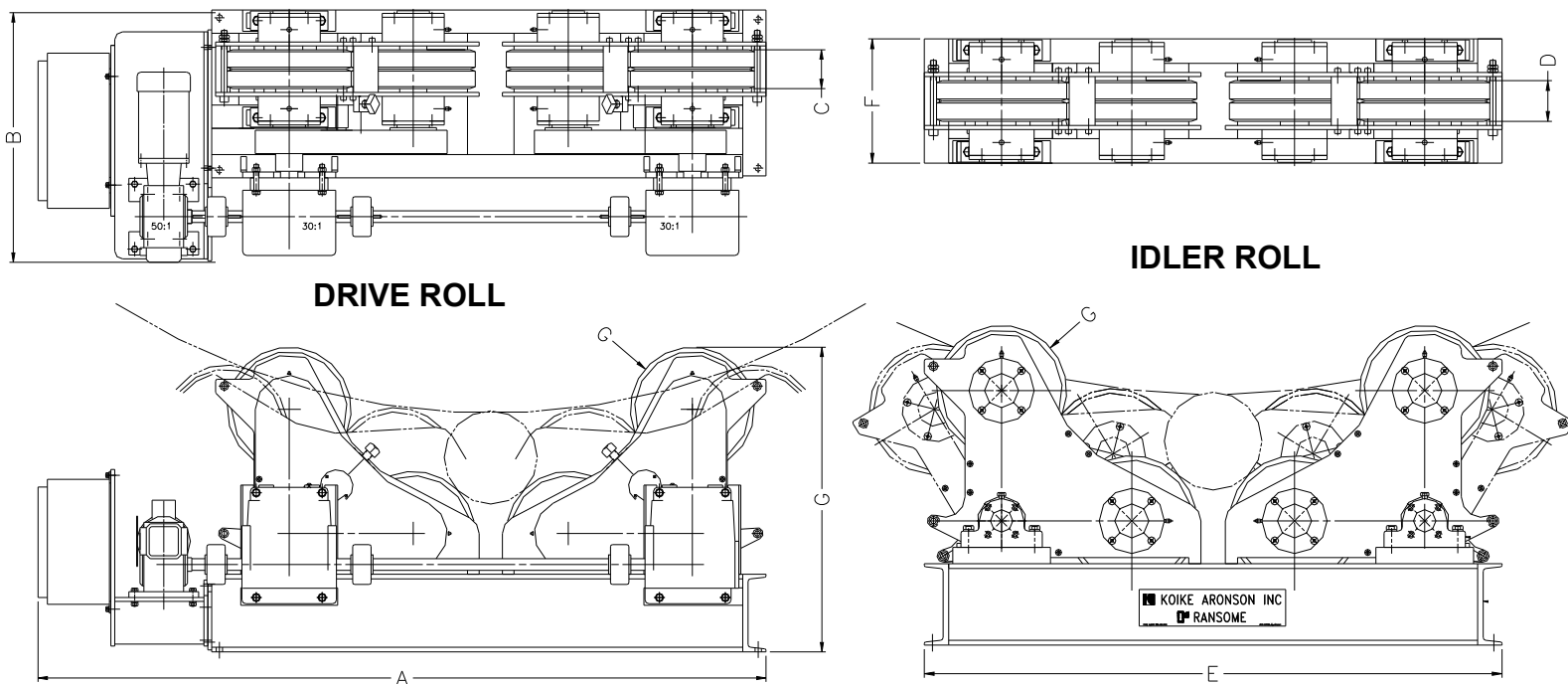
Optional foot switch controls available

Specifications

Self - Aligning Turning Rolls

	Weight Capacity (set)	Concentric Turning Capacity	Diameter Range	Speed (IPM)	DIM 'A'	Dim 'B'	Dim 'C'	Dim 'D'	Dim 'E'	Dim 'F'	Dim 'G'	Dim 'H'
SA-15PR	7 ½ ton (15,000 lb)	15 ton	12" - 120"	1.3 - 63	95"	266"	3 ½"	-	-	-	12"	29 ¾"
SA-7.5IR	7 ½ ton (15,000 lb)	N/A	12" - 120"		-	-	-	3 ½"	55"	9 ½"	12"	29 ¾"
SA-30PR	15 ton (30,000 lb)	30 ton	12" - 180"	1.2 - 59	108"	33 ½"	5"	-	-	-	16"	39 ¾"
SA-15IR	15 ton (30,000 lb)	N/A	12" - 180"		-	-	-	5"	71"	13 ½"	20 ½"	39 ¾"
SA-60PR	30 ton (60,000 lb)	60 ton	18" - 204"	1.3 - 63	137 ½"	36 ¼"	7"	-	-	-	20 ½"	50 ¾"
SA-30IR	30 ton (60,000 lb)	N/A	18" - 204"		-	-	-	7"	101 ½"	17"	20 ½"	50 ¾"
SA-90PR	45 ton (90,000 lb)	90 ton	18" - 204"	1.3 - 63	137 ½"	43 ¼"	14"	-	-	-	20 ½"	50 ¾"
SA-45IR	45 ton (90,000 lb)	N/A	18" - 204"		-	-	-	14"	101 ½"	25"	20 ½"	50 ¾"
SA-120PR	60 ton (120,000 lb)	120 ton	28" - 240"	0.92 - 46	143 ½"	51"	14"	-	-	-	20 ½"	50 ¾"
SA-60IR	60 ton (120,000 lb)	N/A	28" - 240"		-	-	-	14"	113 ½"	26 ¾"	20 ½"	50 ¾"
SA-180PR	90 ton (180,000 lb)	180 ton	28" - 240"	1.3 - 63	132"	51"	21"	-	-	-	20 ½"	56 ¼"
SA-90IR	90 ton (180,000 lb)	N/A	28" - 240"		-	-	-	21"	102"	31 ½"	20 ½"	56 ¼"

All dimensions are for reference only and subject to change without notice.



TR Series

Turbine Rotor Turning Rolls Micarta Rolls



Turbine Rotor Turning Rolls are specialty Positioners which are very cost effective when compared to other industry alternatives such as V-blocks. Objects such as steam and gas turbines may be manipulated for sonic inspection and welding repair with the use of cranes only for mounting and unloading. Once turbines are placed upon Positioners, operators may rotate them and easily perform desired procedures. Rolls are powered with AC variable frequency drives and motors providing a large range of rotation speeds. Handheld operator pendants are standard, with optional foot switch controls available.

The single-fixed centerline setting provides a wide diameter range to accommodate many different size rotors.

The Phenolic wheels provide a hard, dense surface that will not mar the machined turbine journal like steel rollers and unlike rubber tires, Micarta will not deflect and absorbs debris that can also damage the rotor journal.

Sub-base risers can be added for large diameter fins, providing swing clearance for a free 360° of continuous rotation.

Oversized wheels for increased clearances, larger capacities and special engineering available!

Capacities from 50 Ton to 250 Ton



KOIKE ARONSON, INC. / RANSOME

Features

- Precision machined wheels in rigid chassis to prevent end creep
- Phenolic laminated wheels
- Variable Frequency drives and motors
- 8" to 32" Diameter capacities
- 50:1 AC Variable speed drives
- Optional fixed height sub-bases
- Optional infinitely adjustable power elevating sub-bases



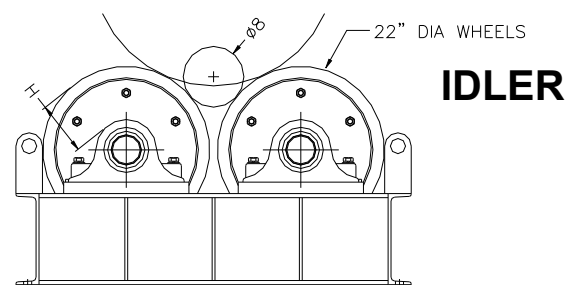
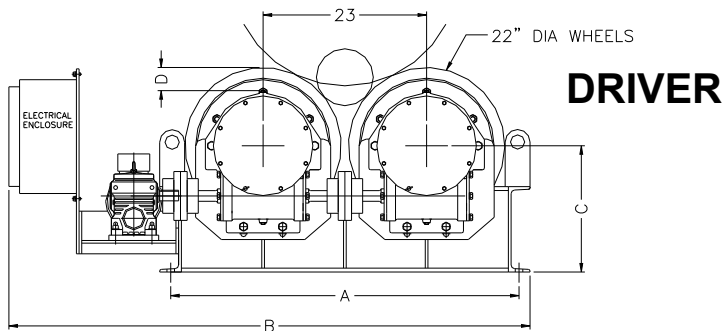
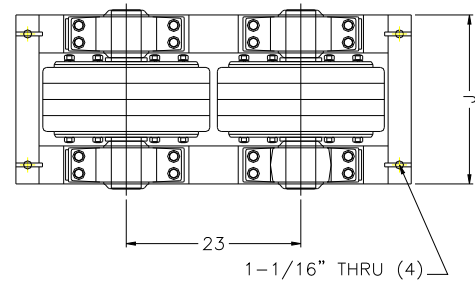
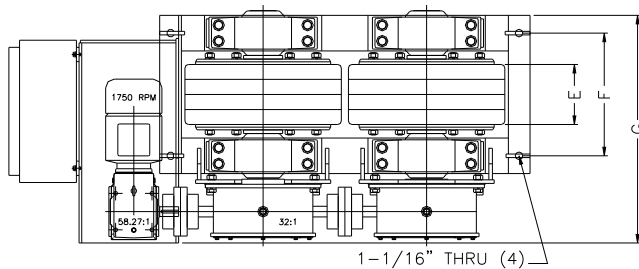
Standard hand pendant provided with all models

Specifications

Micarta Rolls (Turbine Rolls)

Micarta Roll Sets	Weight Capacity (set)	Concentric Turning Capacity	Diameter Range	Speed (IPM)	DIM 'A'	Dim 'B'	Dim 'C'	Dim 'D'	Dim 'E'	Dim 'F'	Dim 'G'	Dim 'H'	Dim 'I'	Dim 'J'
50 PRM / 25 IRM	50 ton (100,000 lb)	50 ton	8" - 32"	1.3 - 63	49"	73 5/16"	16 3/4"	3"	4 3/16"	11 3/8"	28 3/4"	7 1/2"	51 1/8"	14 1/4"
75 PRM / 37.5 IRM	75 ton (150,000 lb)	75 ton	8" - 32"	1.2 - 60	49"	73 5/16"	16 3/4"	3"	6 5/16"	13 1/2"	28 3/4"	7 1/2"	51 1/8"	16 1/16"
100 PRM / 50 IRM	100 ton (200,000 lb)	100 ton	8" - 32"	1.3 - 63	49"	73 5/16"	17 3/4"	3"	8 7/16"	17 1/4"	32"	6 5/8"	52 1/8"	22 1/4"
125 PRM / 62.5 IRM	125 ton (250,000 lb)	125 ton	8" - 32"	1.3 - 63	49"	79 7/16"	17 3/4"	3"	10 1/2"	21 5/8"	38 7/8"	6 5/8"	52 1/8"	24 3/8"
150 PRM / 75 IRM	150 ton (300,000 lb)	150 ton	8" - 32"	1.3 - 63	49"	79 7/16"	17 3/4"	3"	12 9/16"	23 5/8"	38 7/8"	6 5/8"	52 1/8"	26 3/8"
175 PRM / 87.5 IRM	175 ton (350,000 lb)	175 ton	8" - 32"	1.3 - 63	49"	80 3/4"	17 3/4"	3"	14 5/8"	25 3/4"	42 1/2"	6 5/8"	52 1/8"	28 1/2"
200 PRM / 100 IRM	200 ton (200,000 lb)	200 ton	8" - 32"	1.3 - 63	49"	80 3/4"	17 3/4"	3"	16 3/4"	27 7/8"	45"	6 5/8"	52 1/8"	30 5/8"
225 PRM / 112.5 IRM	225 ton (450,000 lb)	225 ton	8" - 32"	1.3 - 63	49"	80 3/4"	18 1/4"	3"	18 3/4"	27 7/8"	48"	6 5/8"	52 1/8"	33 1/4"
250 PRM / 125 IRM	250 ton (500,000 lb)	250 ton	8" - 32"	1.3 - 63	49"	80 3/4"	18 1/4"	3"	21"	32"	49 1/16"	6 5/8"	52 1/8"	35 5/16"

All dimensions are for reference only and subject to change without notice.



TR Series

Outboard Support Stands PTR-1000, PTR-5000, PTR-10,000



Weight capacity of 1000 lb, 5000 lb and 10,000 lb adjustable for diameters from 2 in to 48 in, with polyurethane wheels 8 inches in diameter. Roller assembly is mounted on screw adjusted stand for use as outboard support with Positioner or Headstock. Vertical adjustment of 8 in provides infinite height settings by means of Acme screw and nut.

**Capacities of 1,000 lb, 5,000 lb
and 10,000 lb**



KOIKE ARONSON, INC. / RANSOME

Features

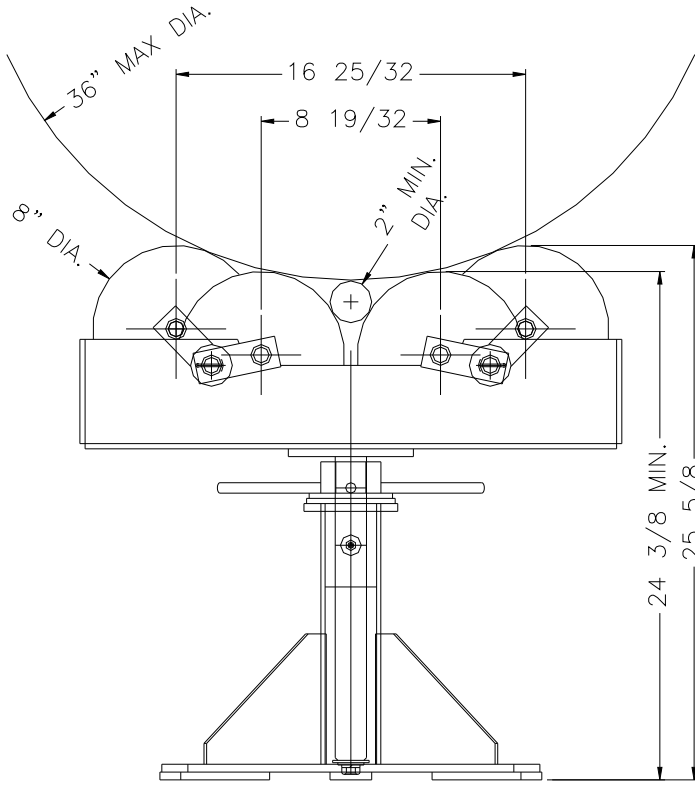
- Polyurethane Wheels
- 2 in - 48 in Diameter range
- 8 in Screw adjusted Height



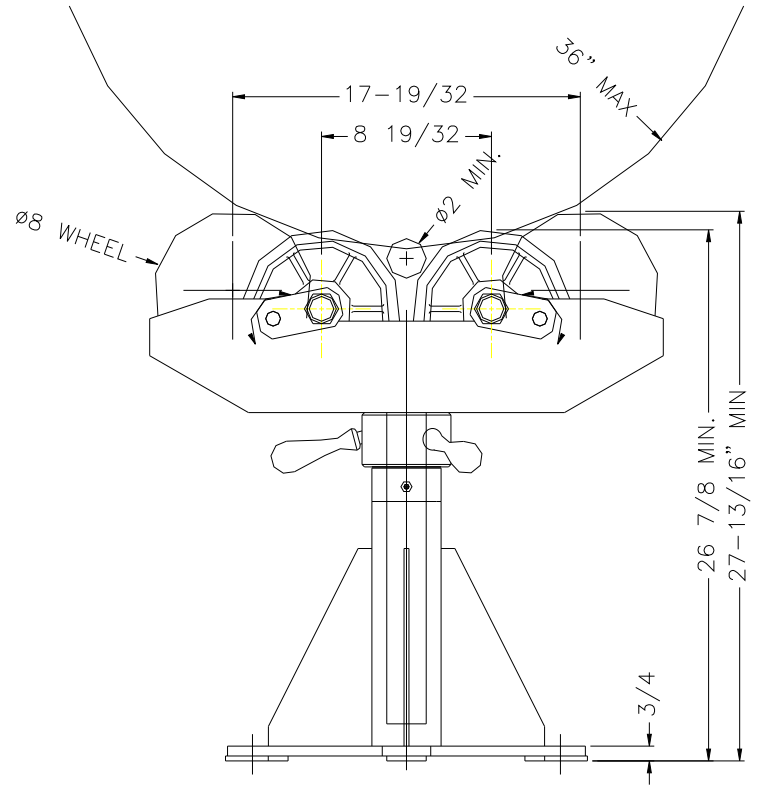
PTR 10,000

Specifications

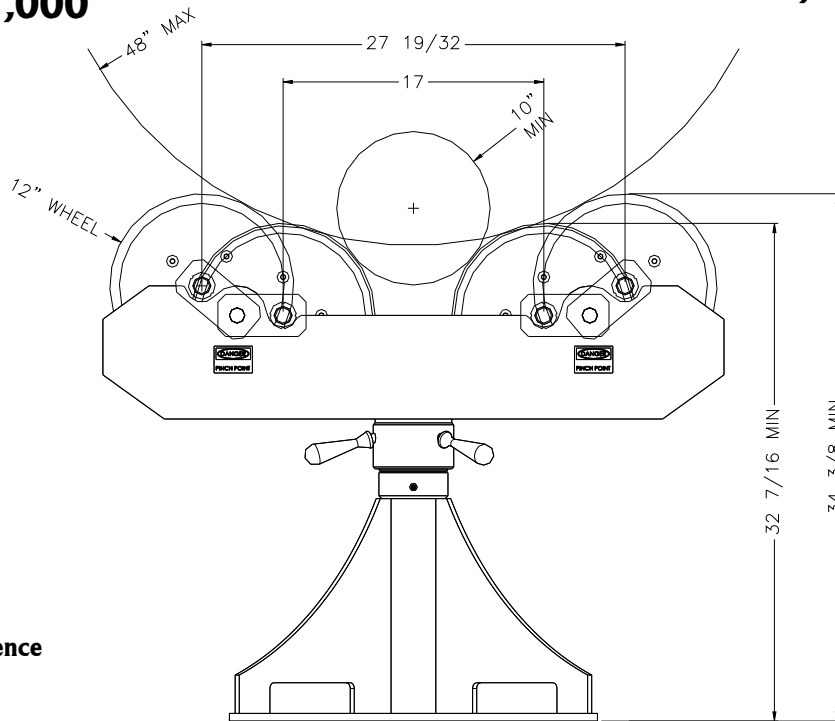
PTR Stands



PTR 1,000



PTR 5,000



PTR 10,000

All dimensions are for reference only and subject to change without notice.

 Koike Aronson Inc.

P.O. Box 307, Arcade, New York 14009
Phone (585) 492-2400 Fax (585) 457-3517

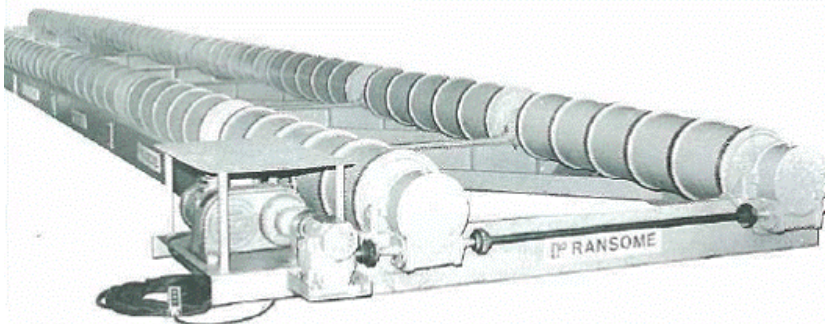
www.koike.com

TR Series

Alignment Fit-up Rolls



Used to fit-up and tack shell courses to one another so as to result in a uniform diameter Vessel. Available with different length roll sections that couple and uncouple to allow full or partial drive down the line. With proper fit-up of the sections to one another, mechanized welding is easily applied for maximum speed and profit.



Optional stand-off rings separate the shell tangent from the rollers so wedges and other alignment tools can be used.

Capacities from 60,000 lb to 400,000 lb



KOIKE ARONSON, INC. / RANSOME

Features

- Machined Steel Rollers
- Expandable in 10 ft Increments
- Wide diameter range capability
- Low voltage hand control pendants
- 50:1 AC Variable speed drives



Standard hand pendant provided with all models



Each bed and roller assembly is joined to the other using splice plates at either side of the frame and couplings between the roller bearings. This permits the flexibility of using the equipment as a total 40 ft surface unit, or spread out in 10 ft multiples where longer tank or stack sections are to be fitted or tacked.

TR Series

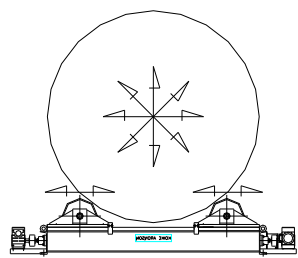
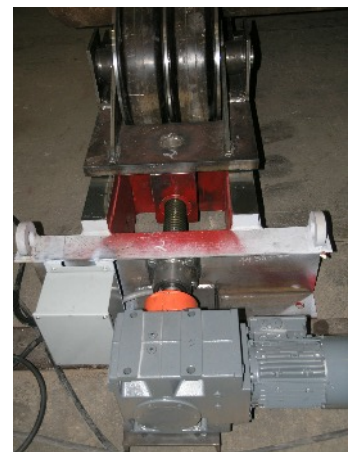
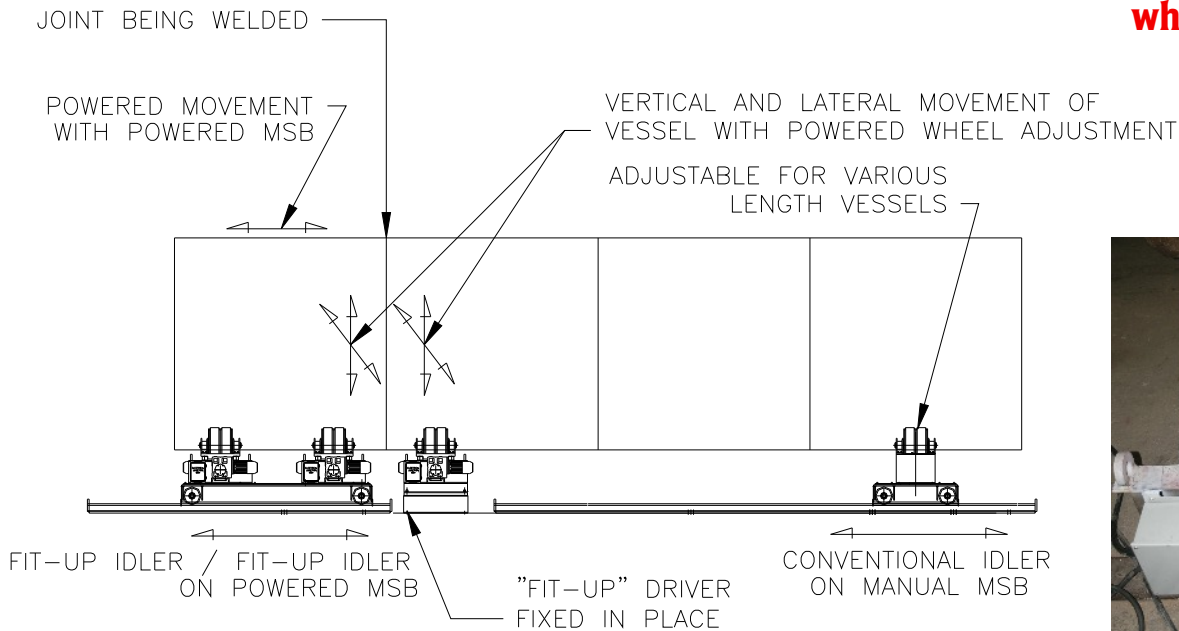
Powered Fit-up Rolls

Models from 30 Ton to 1,200 Ton

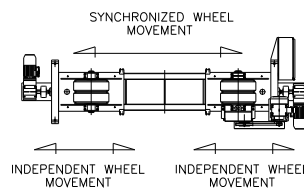


Koike Aronson, Inc./ Ransome's Powered Fit-up station provides a easy economical way to fit up long vessels with multiple sections. With Individual powered adjustment for each wheel, under load, the sections can be moved left, right, up or down to be aligned to the next section. The addition of a manual or powered car allows the section to then be butted to the next for tacking. Once tacked, a powered drive roll sized to rotate the entire vessel is used for final weld-out.

Rubber and steel wheeled models available

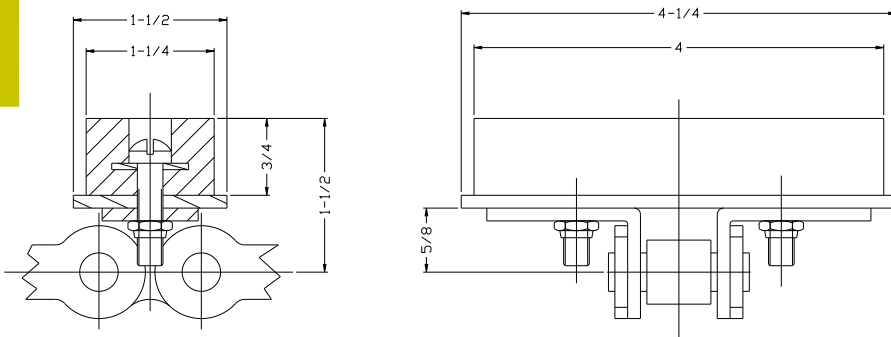
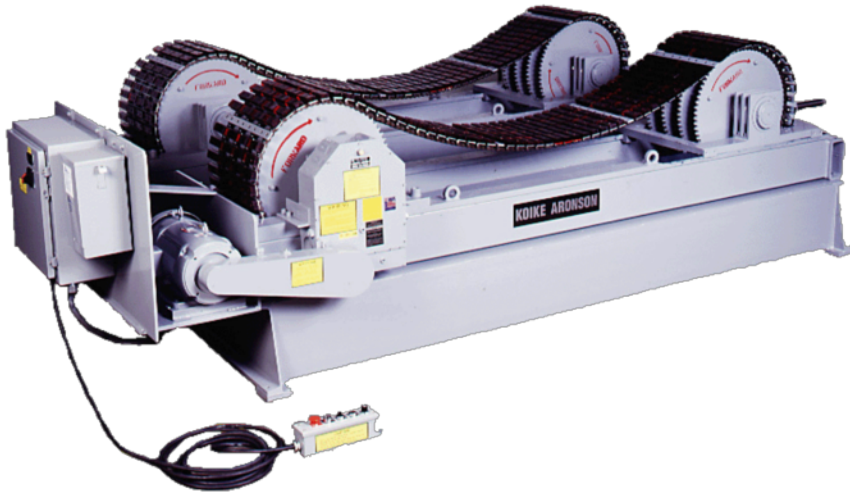


"FIT-UP" IDLER DETAIL



"FIT-UP" DRIVER DETAIL

Trac-Tred Turning Rolls



Koike Aronson, Inc./ Ransome's Trac-Tred Turning rolls provide the solution for safely turning thin walled or precious surfaced cylindrical pieces without marring, wrinkling or indenting the vessel. The patented Trac-Tred system allows for steady, precise rotation of vessels from 4 ft to 20 ft, with capacities up to 24,000 lb.

Specifications	T1 (Single Strand)	T2 (Double Strand)	T3 (Triple Strand)	T4 (4 Strand)
Load Capacity	6,000 lb	12,000 lb	18,000 lb	24,000 lb
Speed, IPM	80 -1.6 IPM	80 -1.6 IPM	74 -1.5 IPM	74 -1.5 IPM
Tractive Pull	1,000 lb	1,000 lb	2,000 lb	3,000 lb
Std. Dia. Range	4' - 10' Dia.	6' - 12' Dia.	16' - 20' Dia.	16' - 20' Dia.

Precision Rotation of Thin Walled Vessels

Features

- Various materials for pads
- NEMA 12 Electricals
- Thin walled vessels
- Low voltage hand control pendants
- 50:1 Variable speed drives



Standard hand pendant provided with all models



Optional foot switch controls available

Paint and Blast Booth Rolls



Paint and Blast booth applications require equipment that will not only withstand severe environments but also provide a safe working environment. With potentially explosive fumes and airborne particles special provisions must be made to insure endurance and safety.

Koike Aronson paint booth Turning Rolls can be air driven or explosion proof motors can be used providing a user safe atmosphere, with the high rotation speeds needed for painting and blasting operations.

Special steel wheel designs are available to support and capture stand-off rings providing support without obstructing the vessel surface, as well as standard urethane type tires.

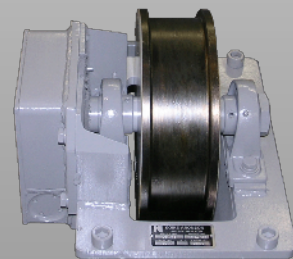
Extra machine guarding and seals provide additional protection from direct contaminate exposure paint and blast booth surroundings can create.

Air driven or explosion proof motors can be used providing a user safe environment, with increased speeds.

Capacities from 10 Ton to 600 Ton

Features

- Remotely mounted electricals with explosion proof motors
- Air driven models Available
- High rotation speeds
- Guarded components for severe environments
- Special engineered wheels for stand-off rings
- Optional manual or Powered MSB cars



OPTIONS

By the nature of design and function, the majority of optional equipment for Koike Aronson / Ransome Positioners should be installed at the time of manufacture. When ordering positioners, it is therefore important to consider all optional features and equipment.



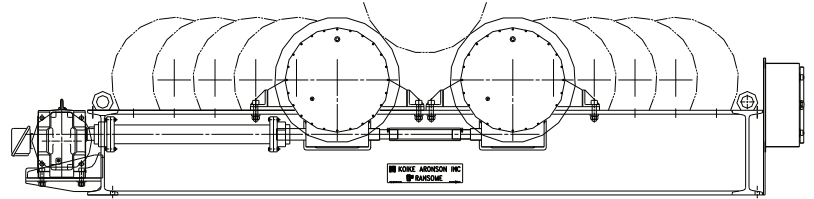
Radio Remote Controlled Pendant

The Koike Aronson/Ransome Handheld Radio Remote Controlled Pendant is user friendly and adaptable to any Positioner. The weatherproof and lightweight pendant includes a resettable E-Stop and speed potentiometer for complete, safe machine control. A magnetic holder allows operator to keep remote out of harms way when not in use.



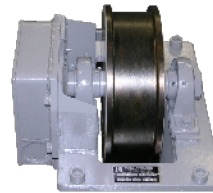
Universal Control

The programmable controller is designed to receive and memorize optimum work piece positions and increase productivity. The standard programmable control provides up to 3 part programs with 20 positions. The programmable Positioner System is designed to increase productivity of manual welding applications as well as aiding in the transition from manual to robotic welding applications. Built in I/O, can accept and provide "In position" signals to any robotic control. There is no need to reprogram a Positioner welding sequence; all existing programs can be utilized.



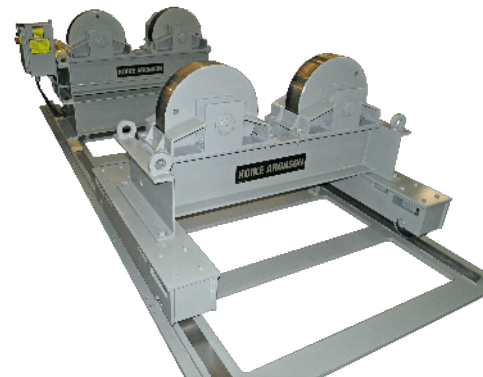
Constant Center-line Models

Both wheels are adjusted to maintain the vessel centerline location. CCL models can be used to adjust for varying diameters while maintaining the vessel centerline, in the center of the rolls. This option may be required when Bogies or Cars are added.



Wheel Materials

Various wheel materials can be utilized depending on the application. Steel, high temperature Urethane, Bronze and Micarta are just a few of the choices available. Please contact a sales representative to discuss.



Rail Cars and Bogies

Powered and manual cars can be used for varying length parts and moving entire vessels from bay to bay.

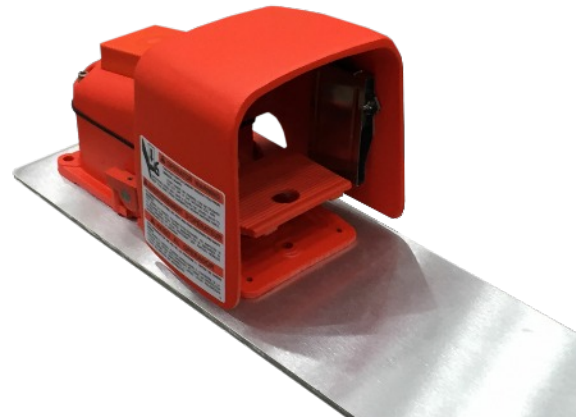
OPTIONS

By the nature of design and function, the majority of optional equipment for Koike Aronson / Ransome Positioners should be installed at the time of manufacture. When ordering positioners, it is therefore important to consider all optional features and equipment.



Variable Diameter Tachometer

Reads directly in Inches Per Minute for varying diameters. 2 inputs required, one is speed (IPM) required and the other is the Diameter vessel being rotated. Read out can Display IPM or RPM. HMI unit can be located in main electrical enclosure or stand alone pendant box. Actual running speed sensed by precision generator.



Wireless Foot Switch

Wireless foot switch includes both variable speed and directional control with one foot. Variable speed is controlled with the main foot pedal, while a micro-switch on the side wall controls direction. Foot pedal has approximately a 60 ft range and up to 5 systems can work in the same work area without fear of interference. Battery life is estimated at 4,000 hr based on a 50% duty cycle.



Foot Switch Control

With three styles of foot switches available Koike Aronson can adapt your positioner to be used in the most efficient way.

- FSC–Foot Speed control, provides variable speed control through the use of a foot switch.
- FPC–Provides On/Off foot control of the rotational axis.
- FWD/REV–Provides forward and reverse foot control of the rotational axis (pictured to the left).

NOTES

CUTTING, POSITIONING & WELDING EQUIPMENT



Koike Aronson, Inc./Ransome



635 W. Main Street
P.O. Box 307
Arcade, NY 14009

Phone: (585) 492-2400
Fax: (585) 457-3517
Toll Free: (800) 252-5232

www.koike.com



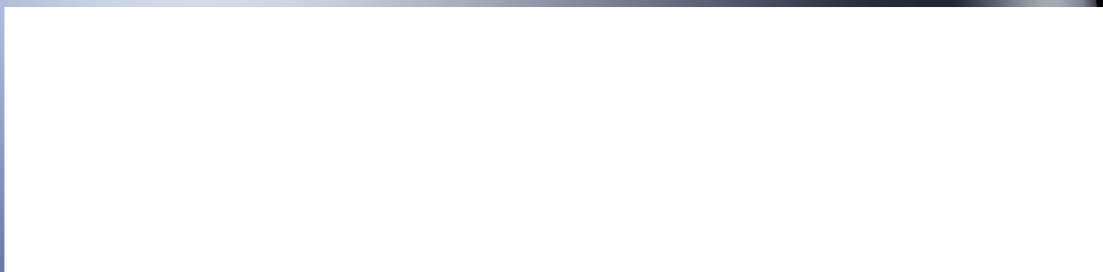
Koike Aronson Brasil

Rua Agostinho Mazza N° 31
Bairro Parque do Trevo
Jaboticabal - SP
CEP 14871-710



Tel/Fax: (16) 3202-8439

www.koike.com/br



TURNING ROLLS 09/17 KENG