



ANALOG

AUTOMOTIVE HBLED PRODUCT SELECTOR GUIDE 2015



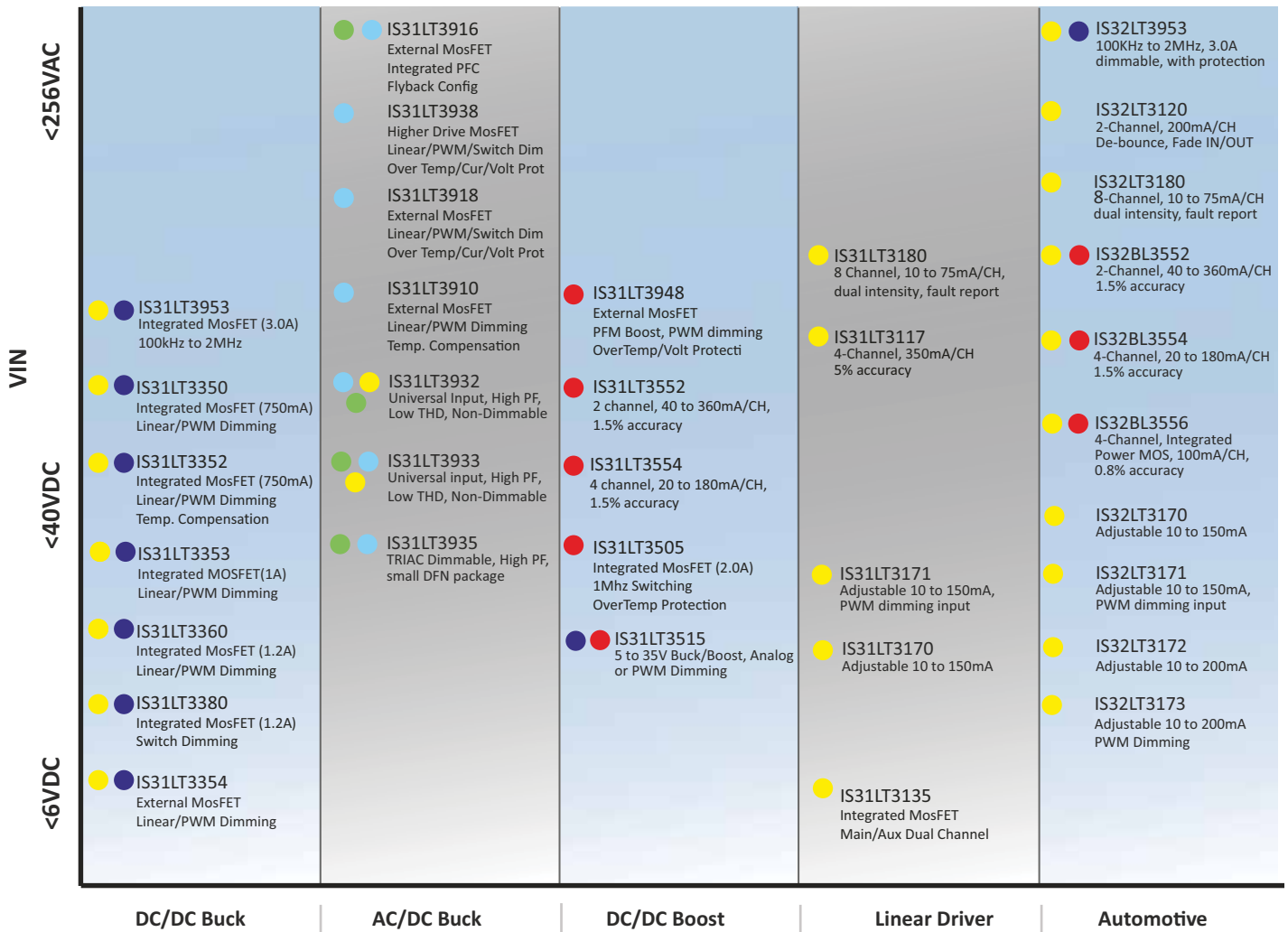
HBLED | FxLED | BACKLIGHT

Graphical Selector Guide

● DC/DC Buck
● AC/DC Buck

● DC/DC Boost
● Constant Current

● AC/DC Flyback



Buck Converter

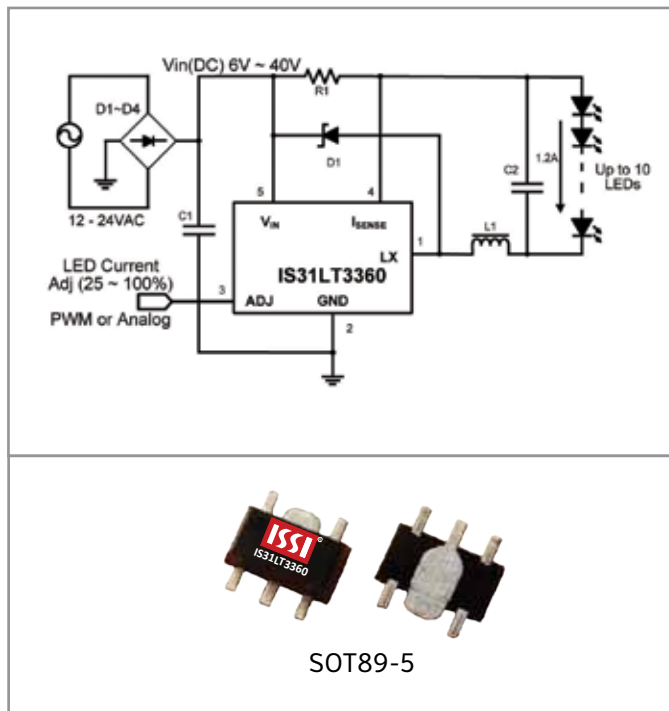
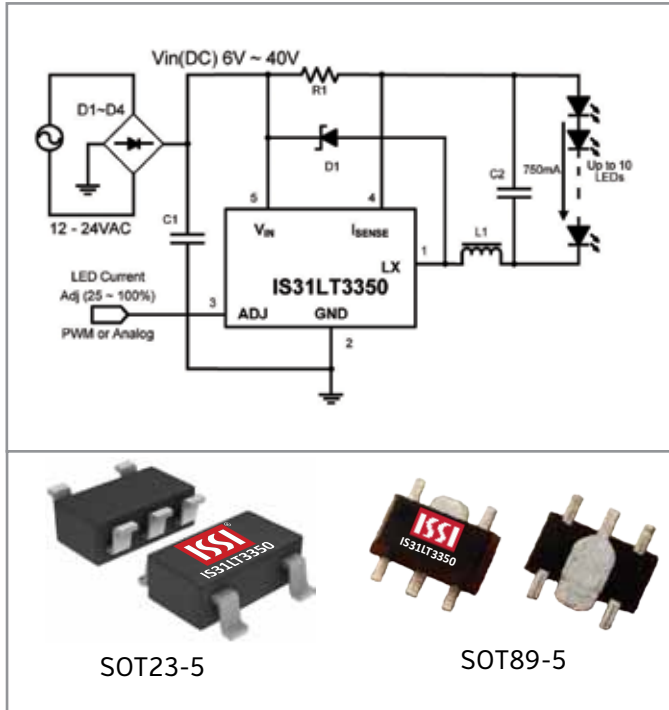
A “buck” or “step-down” takes a higher input voltage and converts it to a lower output voltage.

Boost Converter

A “boost” or “step-up” takes a lower input voltage and converts it to a higher output voltage.

Linear Driver

A “linear driver” generates a fixed current that varies slightly with changes in voltage.



IS31LT3350 - 750mA Buck w/ Integrated Switch

IS31LT3353 - 1A Buck w/ Integrated Switch

Features

- 750mA output current with 5% accuracy [IS31LT3350]
- 1A output current with 3% accuracy [IS31LT3353]
- 1MHz switching frequency with 95% efficiency
- Integrated 40V power MOS switch
- Single pin ON/OFF and brightness control using Linear or PWM
- Up to 1200 : 1 dimming ratio
- Open and short LED, thermal shutdown protection

Applications

- MR16 LED spotlight
- LED Streetlamp, wall-washer, decorative lighting
- Automobile LED decorative lights

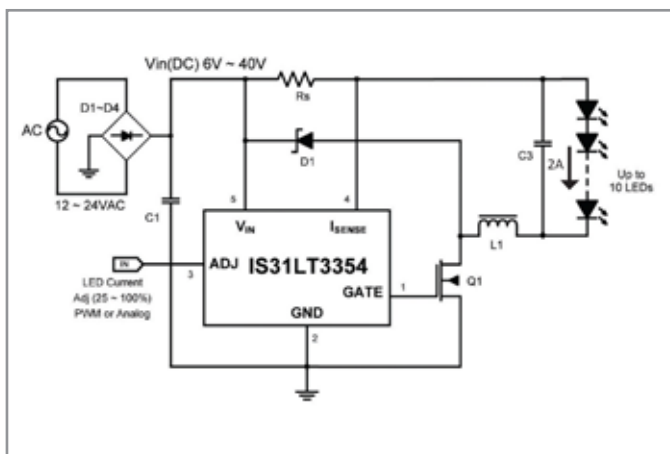
IS31LT3360- 1.2A Buck w/ Integrated Switch

Features

- Up to 1.2A output current with 3% accuracy
- 1MHz switching frequency with 98% efficiency
- Integrated 40V power MOS switch
- Single pin ON/OFF and brightness control using Linear or PWM
- Up to 1200 : 1 dimming ratio
- Open and short LED, thermal shutdown protection
- Temperature Ranges:
S3: -40°C to +105°C, S4: -40°C to +125°C

Applications

- MR16 LED spotlight
- LED Streetlamp, wall-washer, decorative lighting
- Automobile LED decorative lights



SOT23-5

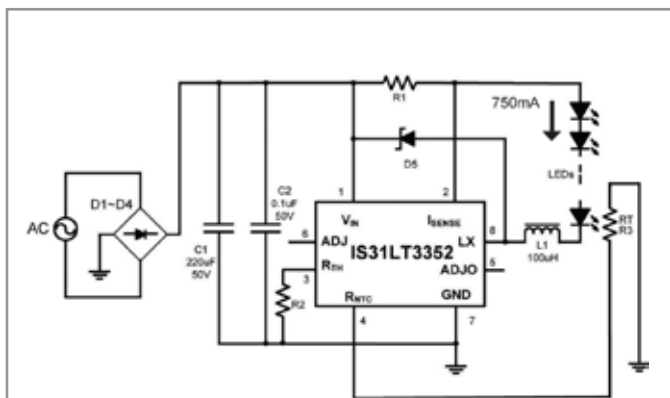
IS31LT3354 - Buck w/ External Switch

Features

- Up to 2A output current only limited by external component selection
- 1MHz switching frequency with 98% efficiency
- Up to 1200 : 1 dimming ratio
- Open and short LED, thermal shutdown protection
- Single pin ON/OFF and brightness control using DC voltage or PWM

Applications

- MR16 LED Spot Lighting
- LED Street Lamp
- Decorative Lighting



SOP-8

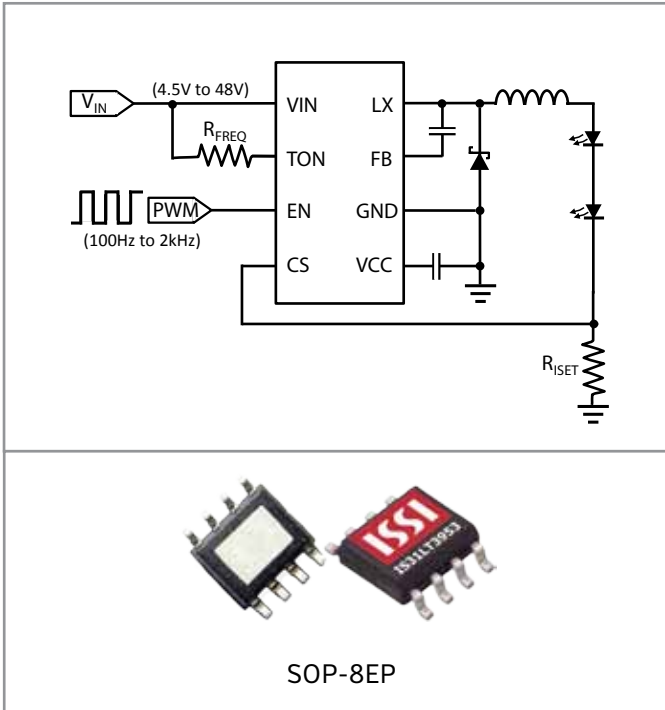
IS31LT3352 - 750mA Buck w/ Temperature Compensation

Features

- Cascadable temperature compensation
- Integrated 40V power MOS switch
- 750mA output current with 5% accuracy
- 1MHz switching frequency with 95% efficiency
- Up to 1200 : 1 dimming ratio
- Accepts either DC or PWM dimming input signal

Applications

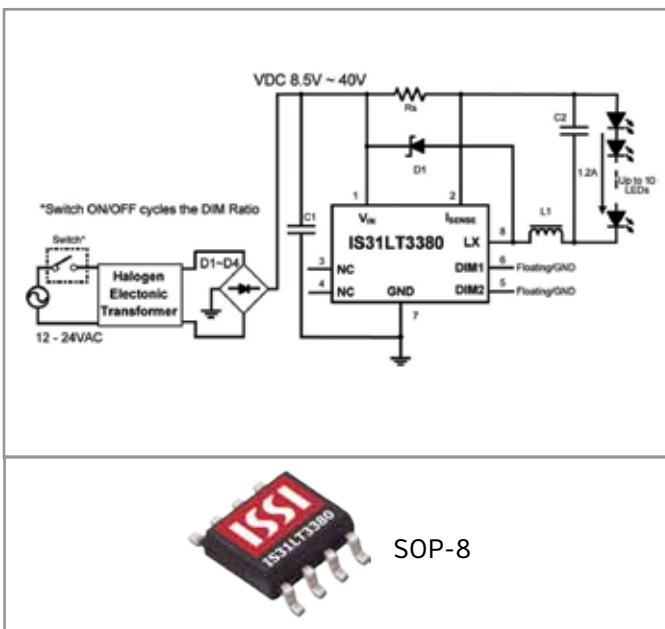
- MR16 LED Spot Lighting
- LED Street Lamp
- Decorative Lighting



IS31LT3953 - 3A Buck w/ Integrated Switch

Features

- 4.5V to 48V input
- Up to 3A output current
- Cycle-by-cycle current limit
- Single pin ON/OFF and brightness control using Linear or PWM
- Robust protection against:
 - Adjacent pin-to-pin short
 - Pin-to-GND short
 - Component open/short faults
- Low power shutdown (1 μ A typical)



IS31LT3380 - 1.2ABuck w/ Switch Dimming

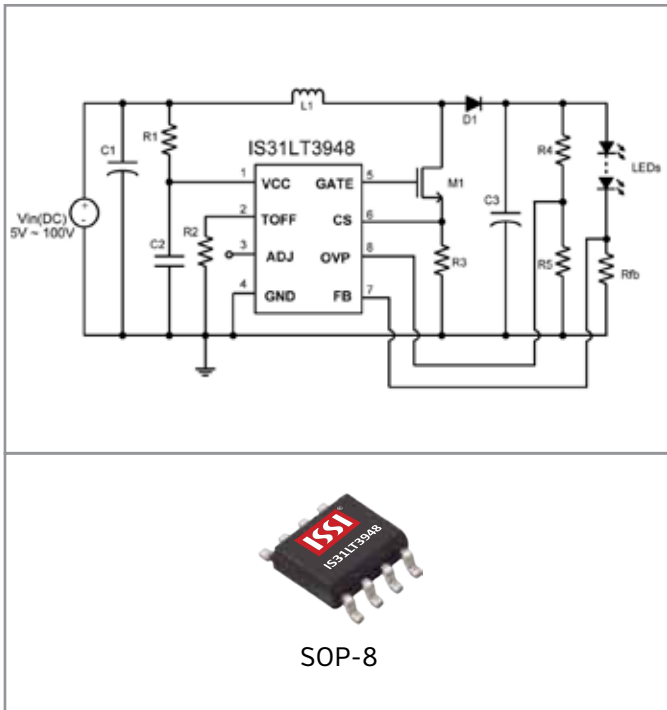
Features

- 40V/1.2A output current with 5% accuracy
- 1MHz switching frequency with 98% efficiency
- Integrated 40V power switch for decreased parts count
- Multimodes switch dimming
- Use ordinary power switch with existing wiring and fixtures
- Open and short LED, thermal shutdown protection

DIM1	DIM2	DIM LEVELS*
Floating	Floating	No Dimming
Floating	GND	100%-50%-20%
GND	Floating	100%-60%-30%
GND	GND	100%-30%

* Switch ON/OFF cycles the DIM Ratio

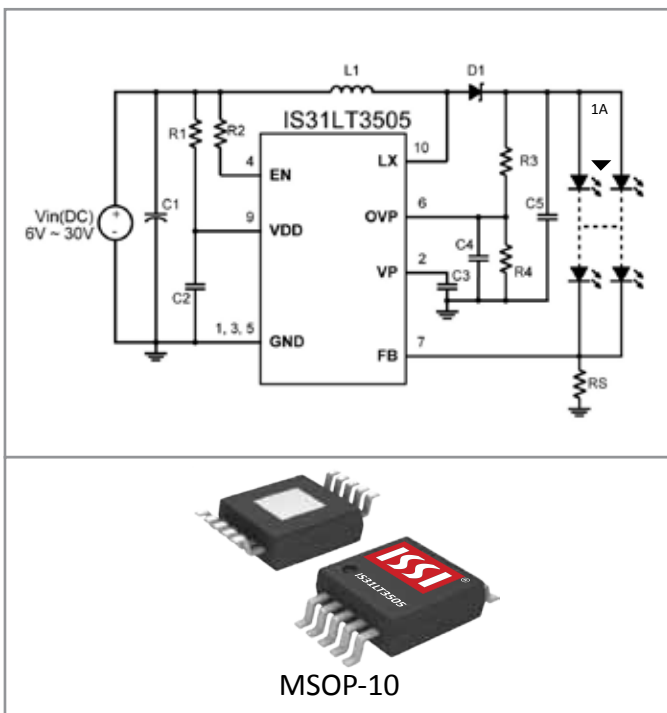




IS31LT3948 - Boost w/ PFM Mode

Features

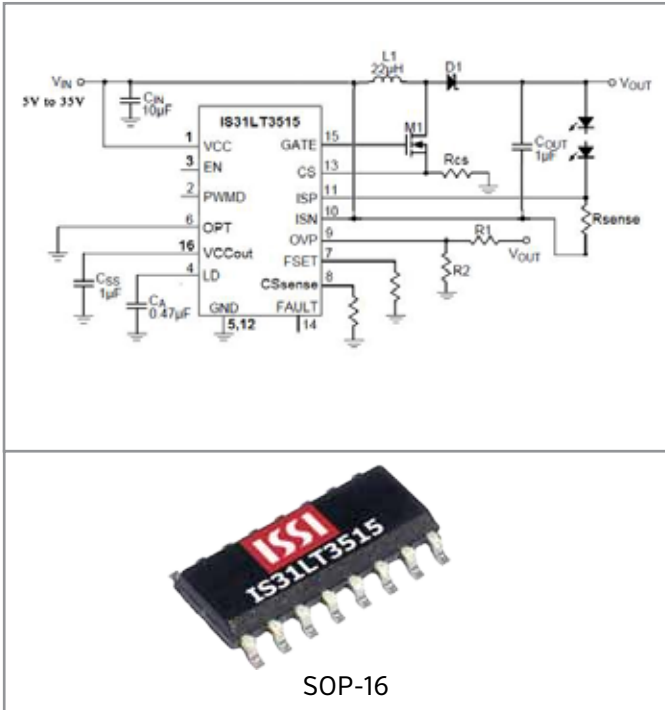
- Wide input voltage range: 5V-100V
- Constant Current Output limited only by external component selection
- Automatically adjust boost output for constant Load current
- No loop compensation required
- Internal over-voltage protection
- Internal over-temperature protection
- Extended temp range: -40 to 125°C



IS31LT3505 - 1A Boost w/ Integrated Switch

Features

- 6V to 30V supply voltage
- Boost output up to 35V
- Output current up to 1A
- PWM dimming control
- 1MHz switching frequency with 90% efficiency
- Integrated 35V power switch
- Internal soft start
- Open-circuit LED thermal shutdown protection



IS31LT3515- Buck, Boost or Buck-boost Topology

Features

- 5V to 35V supply voltage
- Buck, Boost or Buck-Boost operation
- External resistor sets operating frequency up to 500Khz
- Gate clamp voltage to drive low cost MOSFET
- Easy dimming: Analog or PWM
- Internal soft start
- Protections:
 - Over voltage
 - Short circuit
 - Under voltage
 - Over Temperature

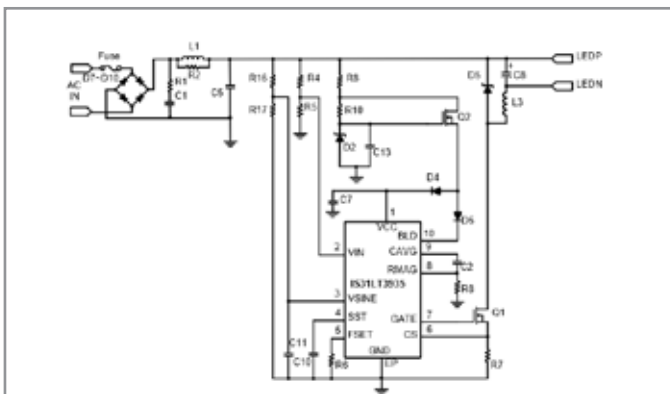


Figure 1 Typical Application Schematic

IS31LT3935 - TRIAC Dimming

Features

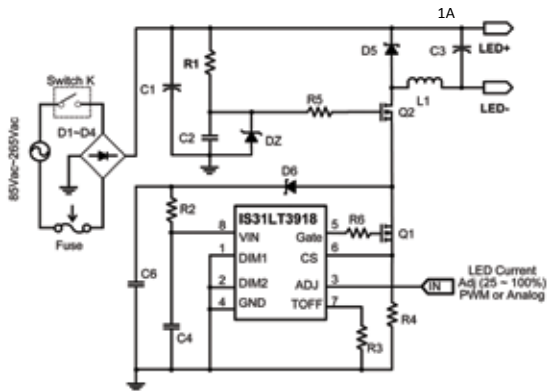
- Smooth 0-100% flicker-free dimming range
- Compatibility with most TRIAC Dimmers (Digital, Leading and Trailing-edge)
- Integrated near unity Power Factor Correction Power Factor = 0.99 at 13W output
- Low component count
- Low 500µA quiescent current with soft start
- Spread Spectrum switching for reduced EMI
- Efficiency: 87% from 120Vrms to 39VDC



DFN10-EP

eTSSOP-16

*Switch ON/OFF cycles the DIM Ratio



SOP-8

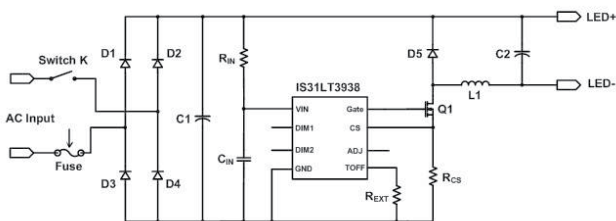
IS31LT3918 - Switch and 3-level Dimming Features

- Wide input range from 6VDC to 450DC or 85VAC to 265VAC
- 92% efficiency with 3% output current accuracy
- Linear, PWM or switch dimming capability
- Use ordinary power switch with existing wiring and fixtures
- Over current, voltage and temp protection
- Requires few external components
- Non-isolated Design



For both IS31LT3918 and IS31LT3938

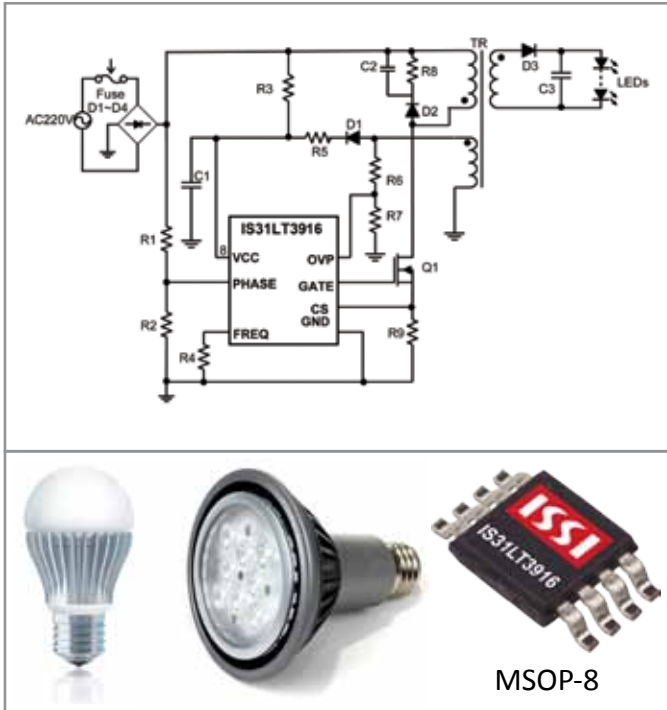
*Switch ON/OFF cycles the DIM Ratio



SOP-8

IS31LT3938 - Switch and 3-level Dimming Features

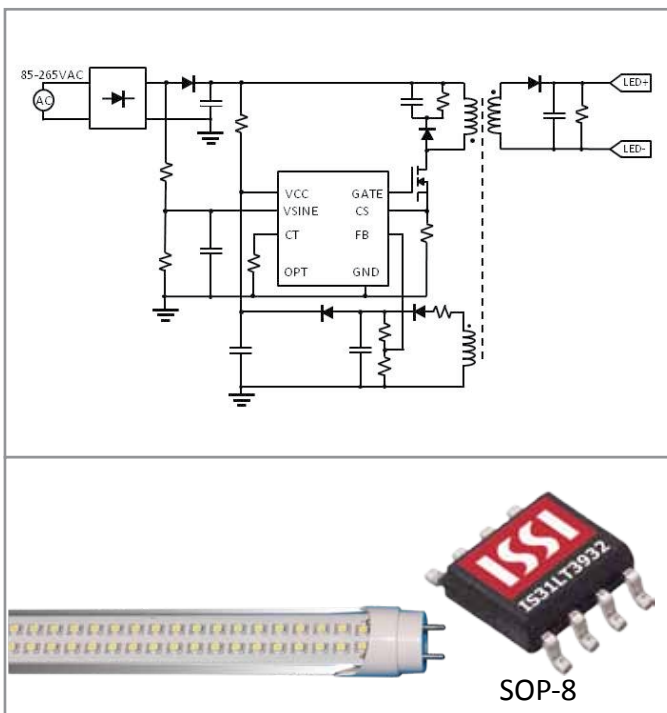
- Wide input voltage range: 10VDC~450VDC or 85Vac~ 265Vac
- High efficiency with 3% output current accuracy
- High MOS gate drive voltage
- Linear, PWM or switch dimming
- User configurable power sequencing levels
- Over current, temperature and short circuit protection
- Use ordinary power switch with existing wiring and fixtures



IS31LT3916 - Flyback, Buck-boost Isolated LED Driver with Integrated PFC

Features

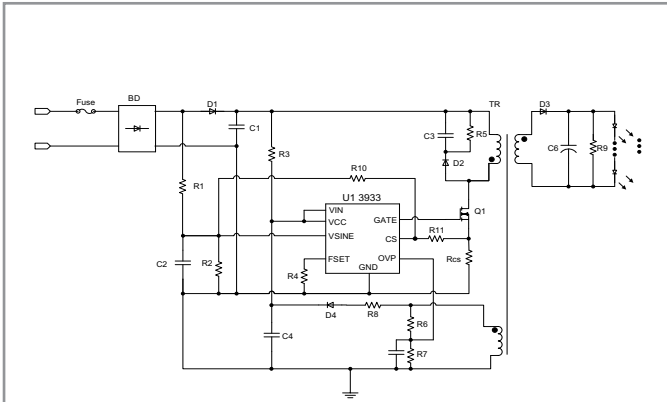
- Active Power Factor Correction to > 0.95
- 5% typical current accuracy up to 1A
- No loop compensation required
- Wide input voltage range: 90V to 260VAC
- Isolated and non-isolated design
- Internal over-temperature protection
- Primary side OCP
- Overvoltage Protection



IS31LT3932 - True Constant Current

Features

- Universal Input Voltage: 85~265Vac
- Configurable for fly-back, buck-boost or buck topology
- $\pm 5\%$ line regulation and load regulation
- Constant LED current with $\pm 3\%$ accuracy
- Integrated near unity Power Factor Correction
- Low 15 μ A startup current with soft start
- MOSFET valley turn-on (Buck) and high gate drive
- Integrated protections
 - No Load and open feedback protection
 - UVLO, OCP, OVP and OTP protections

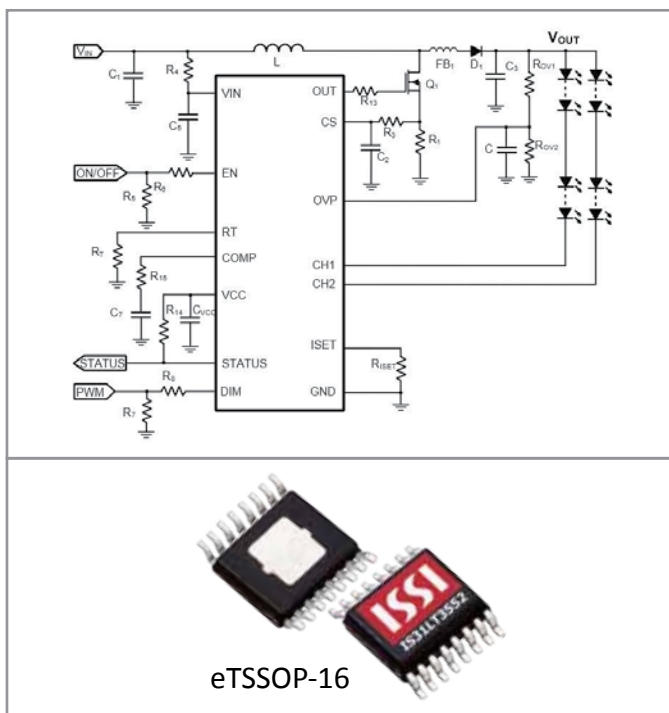


SOP-8

IS31LT3933 - HIGH PF LOW THD UNIVERSAL LED DRIVER

Features

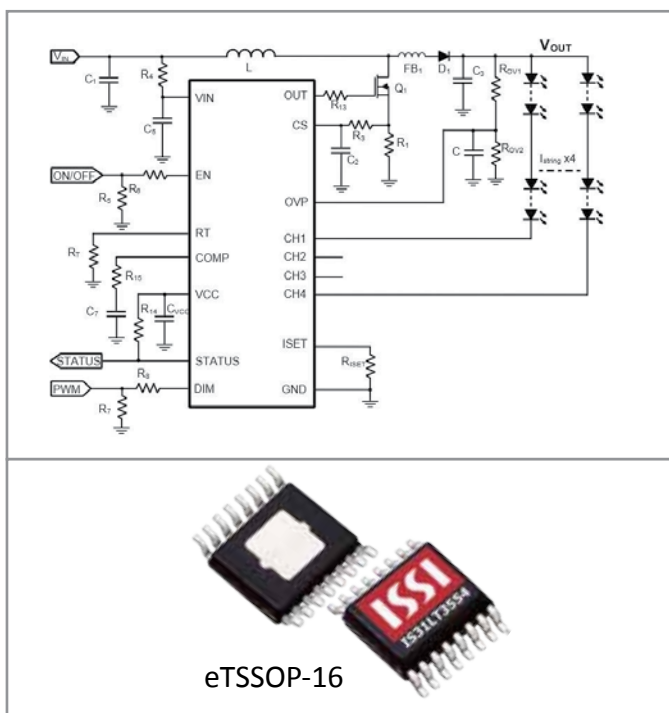
- Universal isolation and non-isolation
- Single stage PFC fly-back
- Low THD w/ no loop compensation required
- No opto-coupler required
- $\pm 5\%$ LED current accuracy
- $\pm 3\%$ line regulation
- $\pm 3\%$ load regulation
- Wide input voltage: 85~305VAC
- Low start-up current(15uA)
- Few external components
- UVLO,OCP,OVP and OTP protections
- SOP-8 package



IS31LT3552 - Two Channel Boost

Features

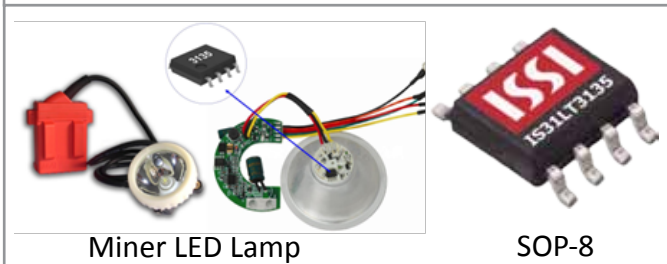
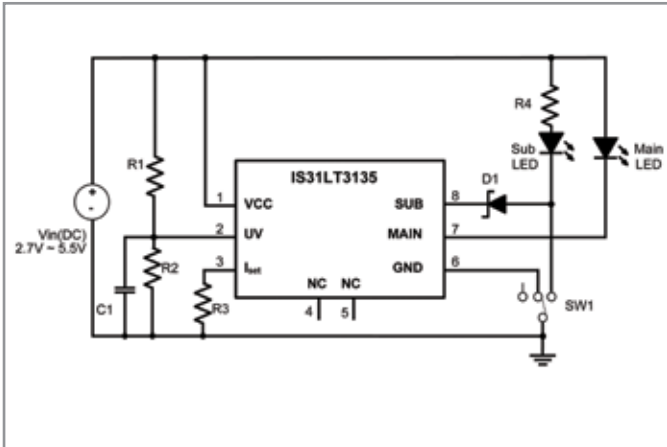
- 2 current sinks adjustable 40 to 360mA
 - String-to-string current matching of 1.5%
 - High contrast ratio
 - External PWM dimming
- Input voltage range: 4.5V to 33V
- Operating frequency: 100kHz to 1MHz
- Protections for: OCP, OTP, UVLO, LED open/short, programmable OVP



IS31LT3554 - Four Channel Boost

Features

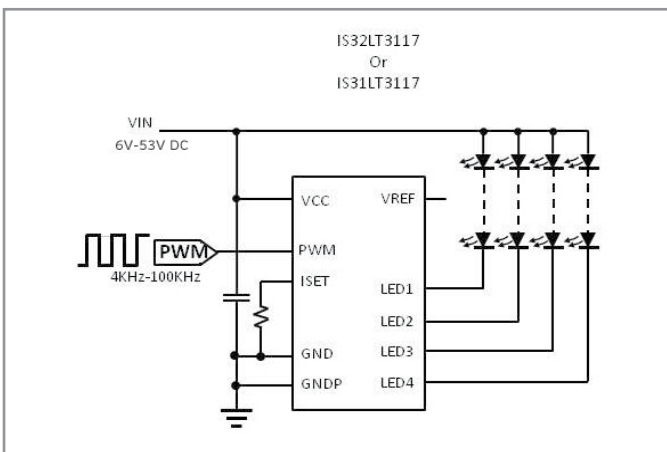
- 4 current sinks adjustable 20 to 180mA
 - String-to-string current matching of 1.5%
 - High contrast ratio
 - External PWM dimming
- Input voltage range: 4.5V to 33V
- Operating frequency: 100kHz to 1MHz
- Protections for: OCP, OTP, UVLO, LED open/short, programmable OVP



IS31LT3135 - Main/Aux Dual Channel LED Driver with Automatic Switchover

Features

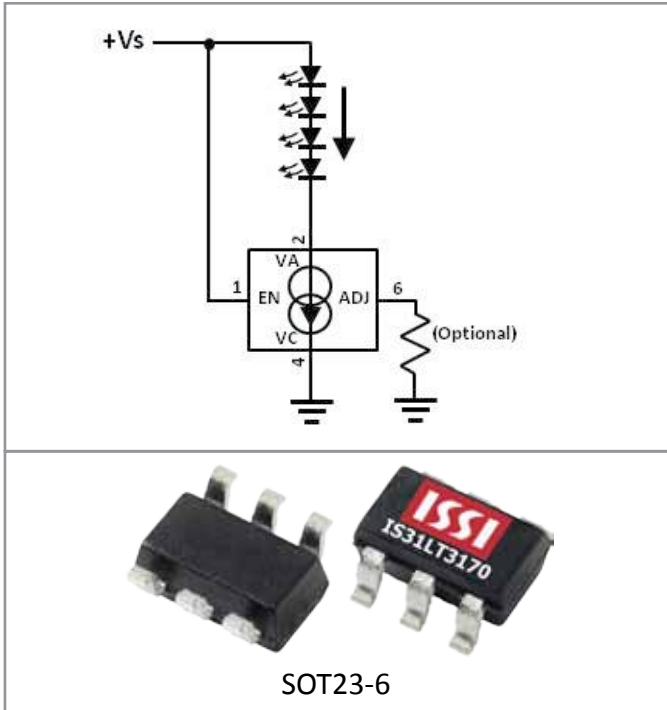
- Optimized for battery powered & Mining lamp applications
- Intelligent Battery undervoltage detect
- Sparkless Manual or Auto switch from Main to Aux LED
- Over-temperature and short circuit protection
- Main/Aux channel current set by external resistors
- Low IC quiescent current less than 300uA



IS31LT3117 - 4-Channel CCR

Features

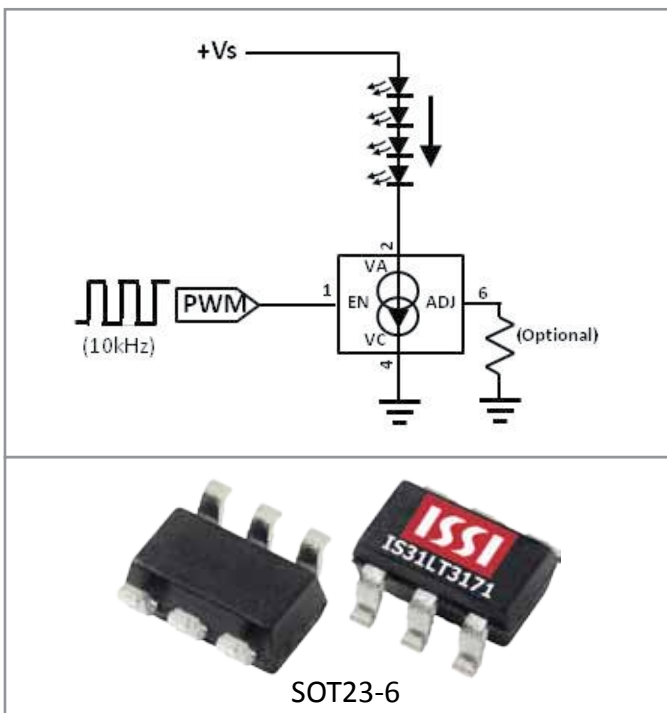
- Four 350mA channels, 1.4A total output
- Current matching 3% between channels
- Thermal current regulation above 130°C
- PWM dimming and Shutdown control input
- VREF 2.5V output to drive external standoff BJTs for high voltage/current operation
- Low IC quiescent current less than 100uA
- PWM frequency up to 100KHz



IS31LT3170 - 10-to-150mA CCR

Features

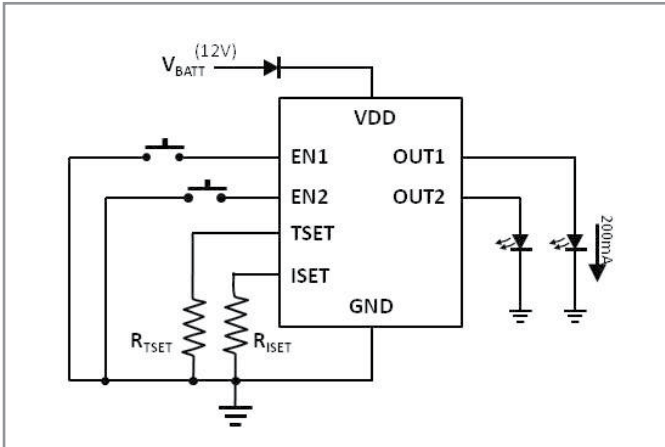
- Adjustable continuous output current up to 150 mA with an external resistor on ADJ pin
- LED drive current preset to 10 mA
- Supply voltage up to 42V
- Low or high side current control
- Negative thermal coefficient of -0.2 %/K reduces output current at higher temperatures
- SOT23-6 package



IS31LT3171 - 10-to-150mA CCR with PWM

Features

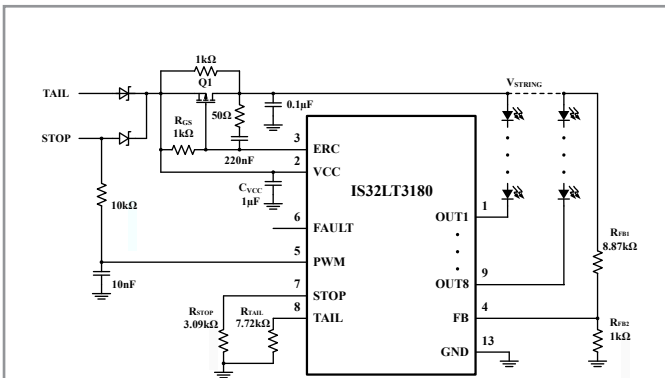
- EN pin for up to 10kHz PWM
- Adjustable continuous output current up to 150 mA with an external resistor on ADJ pin
- LED drive current preset to 10 mA
- Supply voltage up to 42V
- Low or high side current control
- Negative thermal coefficient of -0.2 %/K reduces output current at higher temperatures
- SOT23-6 package



IS32LT3120 - Dual Channel CCR with Fade IN/OUT

Features

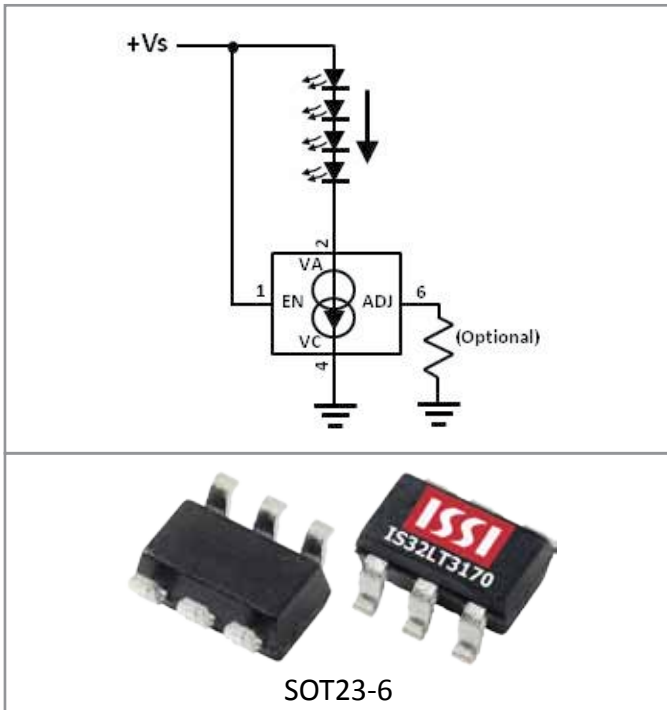
- Input voltage range: 5V to 45V
- Dual output channels can source up to 200mA
- Independent ON/OFF button control for each channel - debounced inputs
- Programmable functions with external resistor
 - Set gamma corrected fade IN/OUT speed
 - Set channel current
- Protections for LED string short to GND, over temperature
- Automotive AEC-Q100 Qualified (Pending)



IS32LT3180 - Eight Channel, Dual Intensity CCR

Features

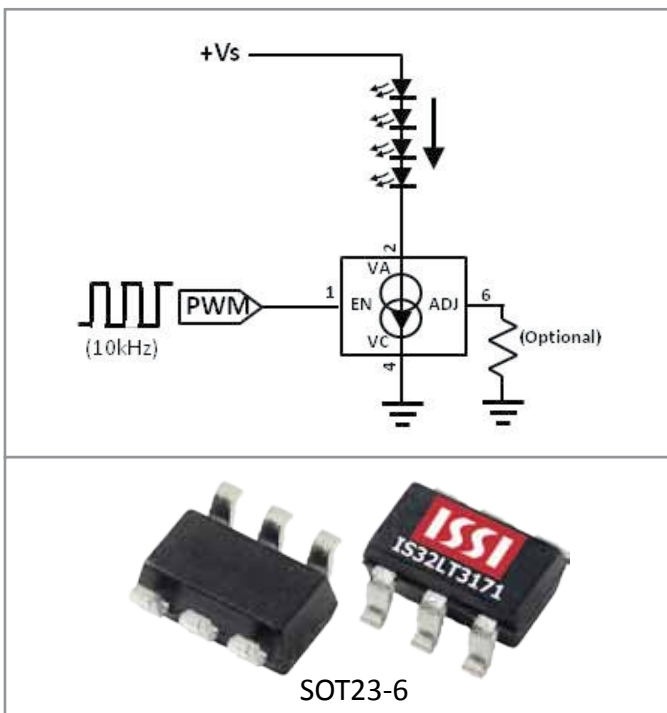
- 6V-50V voltage input with load dump protection
- Eight channel CCR for automotive rear tail light
- Output current programmable from 10mA to 75mA
- Tail duty cycle programmable from 1% to 95%
- Low dropout voltage of 0.5V for minimal power dissipation
- Dual function /PWM input selects between DC output and PWM
- Output over temperature current reduction
- Automotive AEC-Q100 Qualified (Pending)



IS32LT3170 - 10-to-150mA CCR

Features

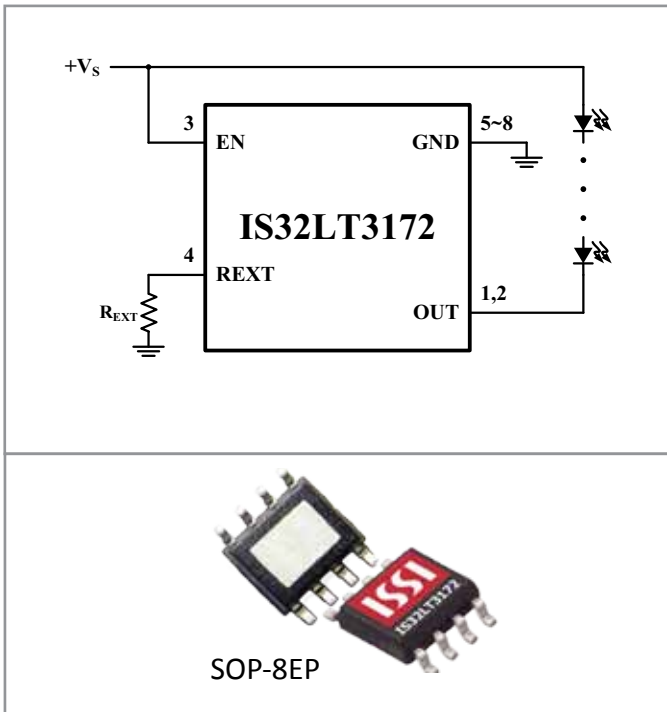
- Adjustable continuous output current up to 150 mA with an external resistor on ADJ pin
- LED drive current preset to 10 mA
- Supply voltage up to 42V
- Low or high side current control
- Negative thermal coefficient of $-0.2\%/K$ reduces output current at higher temperatures
- SOT23-6 package
- Automotive AEC-Q100 Qualified [Pending]



IS32LT3171 - 10-to-150mA CCR with PWM

Features

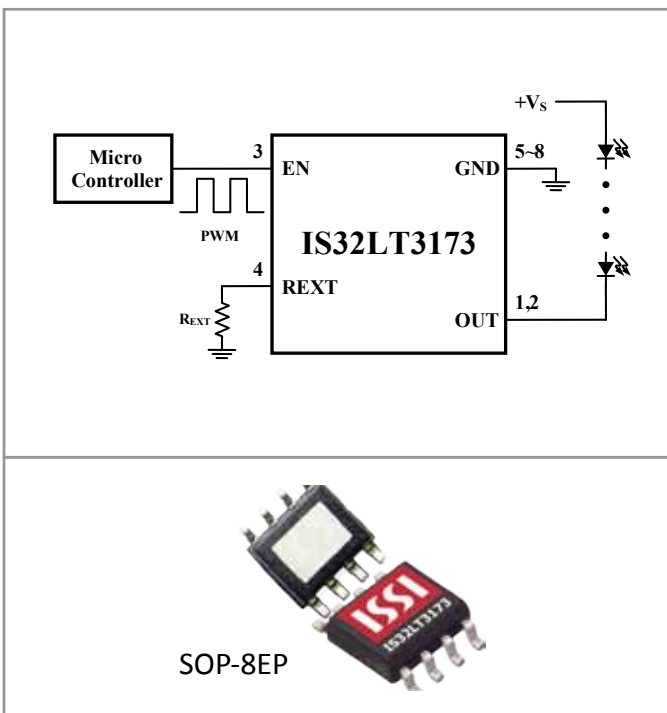
- EN pin for up to 10kHz PWM
- Adjustable continuous output current up to 150 mA with an external resistor on ADJ pin
- LED drive current preset to 10 mA
- Supply voltage up to 42V
- Low or high side current control
- Negative thermal coefficient of $-0.2\%/K$ reduces output current at higher temperatures
- SOT23-6 package
- Automotive AEC-Q100 Qualified [Pending]



IS32LT3172 - 10-to-200mA CCR

Features

- Low-side current sink
 - Current preset to 10mA
- Adjustable from 10mA to 200mA with external resistor selection
- Wide input voltage range from
- 5V to 42V (IS32LT3172)
- with a low dropout of 0.5V
- Protection features:
 - 0.2%/K negative temperature coefficient for thermal protection
 - Open circuit and over voltage protection
- SOP-EP8 package
- RoHS compliant (Pb-free) package
- Automotive AECQ-100 qualified (pending)

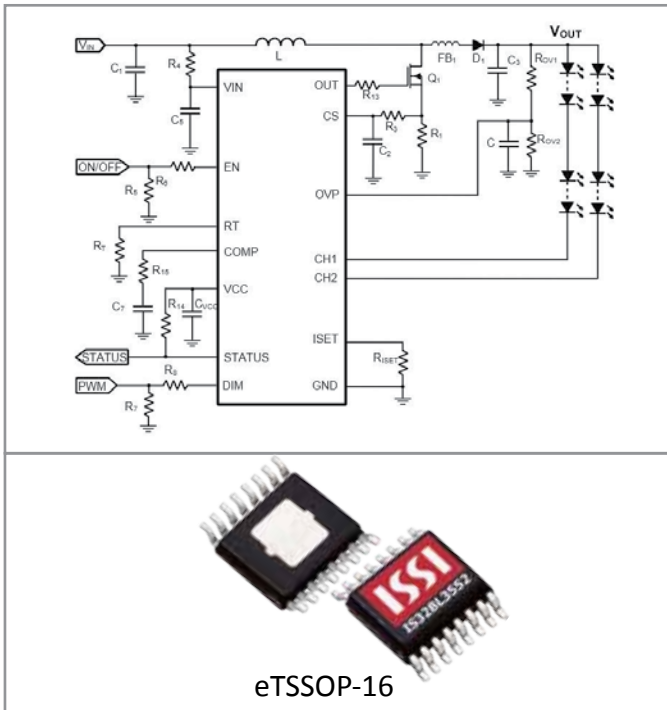


IS32LT3173 - 10-to-200mA CCR with PWM

Features

- Low-side current sink
 - Current preset to 10mA
 - Adjustable from 10mA to 200mA with external resistor selection
- Wide input voltage range from
- -2.8V to 42V (IS32LT3173)
- with a low dropout of 0.5V
- Up to 10kHz PWM input
- Protection features:
 - 0.2%/K negative temperature coefficient for thermal protection
 - Open circuit and over voltage protection
- SOP-EP8 package
- RoHS compliant (Pb-free) package
- Automotive AECQ-100 qualified (pending)

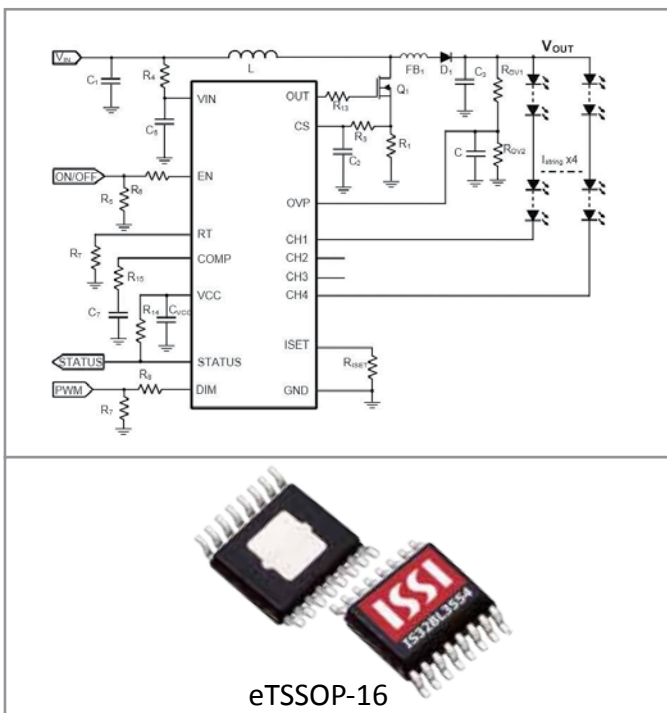
Automotive Boost Backlight Driver



IS32BL3552 - Two Channel Boost

Features

- 2 current sinks adjustable 40 to 360mA
 - String-to-string current matching of 1.5%
 - High contrast ratio
 - External PWM dimming
- Input voltage range: 4.5V to 33V
- Operating frequency: 100kHz to 1MHz
- Protections for: OCP, OTP, UVLO, LED open/short, programmable OVP
- Automotive AEC-Q100 Qualified

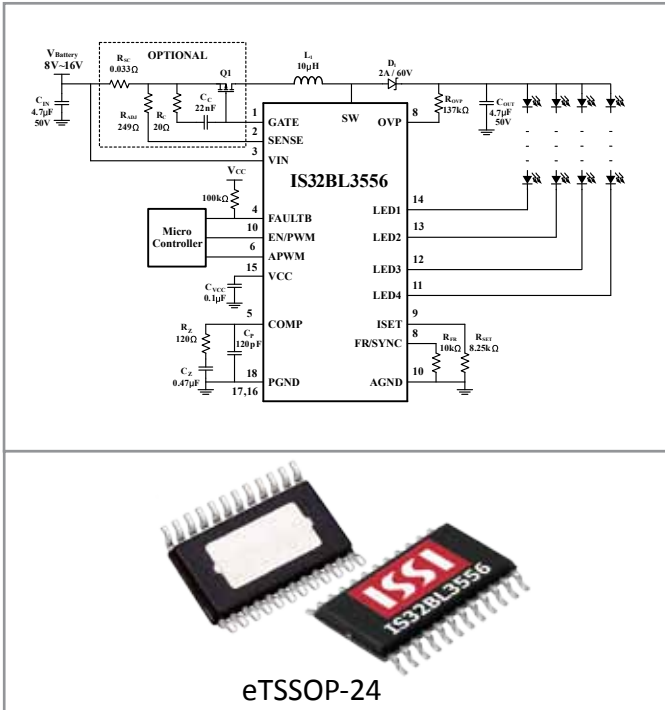


IS32BL3554 - Four Channel Boost

Features

- 4 current sinks adjustable 20 to 180mA
 - String-to-string current matching of 1.5%
 - High contrast ratio
 - External PWM dimming
- Input voltage range: 4.5V to 33V
- Operating frequency: 100kHz to 1MHz
- Protections for: OCP, OTP, UVLO, LED open/short, programmable OVP
- Automotive AEC-Q100 Qualified

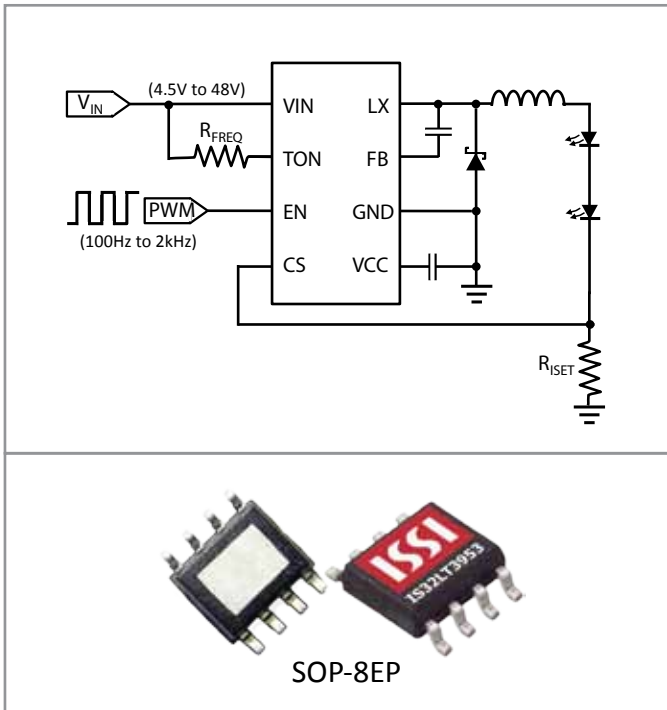
Automotive Boost Backlight Driver



IS32BL3556 - Four Channel Boost

Features

- 4 current sinks adjustable up to 100mA
 - String-to-string current matching of 0.8%
 - High contrast ratio
 - External PWM dimming
- Input voltage range: 4.75V to 40V
- Integrated Power MOSFET
- Operating frequency upto 2.3MHz
 - Synchronize capable
- Protections for: OCP, OTP, UVLO, LED open/short, programmable OVP
- Provide driver for external PMOS input disconnect switch
- Automotive AEC-Q100 Qualified [Pending]



IS32LT3953 - 3A Buck w/ Integrated Switch

Features

- Up to 3A output current
- Cycle-by-cycle current limit
- Single pin ON/OFF and brightness control using Linear or PWM
- Robust protection against:
 - Adjacent pin-to-pin short
 - Pin-to-GND short
 - Component open/short faults
- Low power shutdown [1 mA typical]
- Automotive AEC-Q100 Qualified [Pending]

Switching [AC/DC & DC/DC]

Part No.	Driver	VIN [V]	IOUT Accuracy	Effcy [%]	Power Transistor	Typical Applications	Package	Key Feature	Status
IS31LT3350	DC/DC Buck	6-40	750mA ±5%	95	Built-in	Low voltage LED lighting, MR16 replacement	SOT23-5, SOT89-5	Single pin ON/OFF or brightness control with DC/PWM, thermal shutdown	Prod
IS31LT3352	DC/DC Buck	6-40	750mA ±5%	95	Built-in	Low voltage LED lighting, MR16 replacement	SOP-8	Cascadable, temp. compensation and one pin ON/OFF/dimming control	Prod
IS31LT3353	DC/DC Buck	6-40	Iout: 1A +/-3%	95	Built-in	Low voltage LED lighting, MR16 replacement	SOT23-5, SOT89-5	Single pin ON/OFF or brightness control with DC/PWM, thermal shutdown	Prod
IS31LT3354	DC/DC Buck	6-40	< 2.5A ±5%	98	External	Low volt. LED lighting, illuminated sign	SOT23-5	1200:1 dimming ratio LED driver with thermal shutdown protection	Prod
IS31LT3360*	DC/DC Buck	6-40	1.2A ±3%	98	Built-in	MR16, MR11 spot light, PAR light	SOT89-5	High efficiency with buck converter, with analog or PWM dimming	Prod
IS31LT3380	DC/DC Buck	8.5-40	1.2A ±5%	98	Built-in	MR16, MR11 spot light, PAR light	SOP-8	3-level switch dimming control, open/short and thermal shutdown protection	Prod
IS31LT3505	DC/DC Boost	6-30	24W ±5%	90	Built-in	Battery powered LED, solar light	MSOP-10	1MHz Boost Converter with 30V Internal NMOS	Prod
IS31LT3515	DC/DC	5-35	±3%	90	External	Industrial, street lighting	SOP-16	35V Buck/Boost, Buck/Boost operation	S=Q2/15
IS31LT3948	DC/DC Boost	5-100	-	90	External	Street lamp, LED lighting, Gen. illum.	SOP-8	Wide input voltage range, Boost, over-voltage/temperature protection	Prod
IS31LT3910	AC/DC	8-450 DC 110/220 AC	500mA ±7%	90	External	T8, PAR light	SOP-8	Non-isolation, linear/PWM dimming, temperature compensation	Prod
IS31LT3916	AC/DC	90-260 AC	PF > 0.9	85	External	T8, Bulb Replacement, PAR light	MSOP-8	Isolated and Non-Isolated; Offline LED Driver with Active PFC	Prod
IS31LT3953	DC/DC Buck	6-48V	-		Integrated	3APWM Dimmable Lighting	SOP-8EP	200kHz to 2Mhz DC/DC 3.0A dimmable buck regulator with robust protection features	S=Q2/15

Switching [AC/DC & DC/DC]

Part No.	Driver	VIN [V]	IOUT Accuracy	Effcy [%]	Power Transistor	Typical Applications	Package	Key Feature	Status
IS31LT3918	DC/DC AC/DC	6-450 DC 85-265 AC	- ±3%	95	External	LED Lighting; Signal & decor. lighting, T8	SOP-8	High voltage LED driver with 3-level Switch Dimming	Prod
IS31LT3932	AC/DC	85-265 AC	PF > 0.95	>85	External	Retrofit Bulb, Tube, PAR Lighting	SOP-8	High Power factor, Low THD Universal Constant Current	Prod
IS31LT3933	AC/DC	85-305 AC	PF > 0.95	>85	External	Retrofit Bulb, Tube, PAR Lighting	SOP-8	High Power factor, Low THD Universal Constant Current	S=Q1/15
IS31LT3935	AC/DC	110/220 AC	PF > 0.95	87	External	Bulb Replacement, spot light, PAR light	DFN10 eTSSOP-16	25W Triac Dimmable Active PF Isolated and Non-Isolated	Prod
IS31LT3938	DC/DC, AC/DC	10-450 DC 85-265 AC	- ±3%	95	External	LED Lighting; Signal & decorative lighting	SOP-8	High voltage LED driver with Switch Dimming, Single External FET	Prod

* -40°C to +125°C Extended Temperature range option available

Automotive (Industrial)

Part No.	Driver	VIN [V]	IOUT Accuracy	Power Transistor	Typical Applications	Package	Key Feature	Status
IS32BL3552	DC/DC Boost	4.5 - 33V	±1.5%	External	Automotive lighting, LCD display backlight	eTSSOP-16	Two channel LED current sinks, 40 to 360mA per string. String-to-string accuracy 1.5%	AECQ100 qualified
IS32BL3554	DC/DC Boost	4.5 - 33V	±1.5%	External	Automotive lighting, LCD display backlight	eTSSOP-16	Four 20 to 180mA channel current sinks. String-to-string accuracy 1.5%	AECQ100 qualified
IS32BL3556	DC/DC Boost	4.75 - 40V	±0.8%	External	Automotive lighting, LCD monitor backlight	eTSSOP-24	Four 100mA channel current sinks. String-to-string accuracy 0.8%	S=Q2/15
IS32LT3953	DC/DC Buck	6 - 48V	-	Integrated	Automotive lighting, dimmable cabin light	SOP-8EP	200kHz to 2MHz DC/DC 3.0A dimmable buck regulator with robust protection features	S=Q2/15
IS32LT3120	Linear	5 - 45V	-	Integrated	Automotive cabin lighting, map & dome light	SOP-8EP	Two channel CCR with two debounced switch inputs, LED fade IN/OUT	Sample
IS32LT3170/1	Linear	2.8 - 42V	-	Integrated	Automotive lighting, emergency lighting, retail lighting	SOT23-6	Adjustable CCR 10 to 150mA, negative thermal coeff., low / high side, IS32LT3171 PWM dimming	S=Q2/15
IS32LT3172/3	Linear	2.8 - 42V	-	Integrated	Automotive cabin lighting, map & dome light	SOP-8EP	Adjustable CCR 10 to 200mA, negative thermal coeff., low / high side, IS32LT3173 PWM dimming	S=Q2/15
IS32LT3180	Linear	6 - 60V	±5.0%	Integrated	Automotive RCL, CHMSL, fog lamps, turn signal	eTSSOP-16	Eight channel, dual intensity, CCR with fault reporting, 10-75mA	Sample

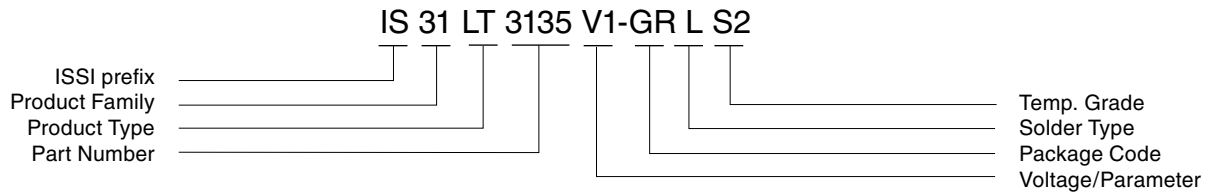
Linear

Part No.	Driver	VIN [V]	IOUT Accuracy	Power Transistor	Typical Applications	Package	Key Feature	Status
IS31LT3135	Constant Current	2.7-5.5	500mA ±5%	Built-in	Miner lamp, Torch, Battery powered LED lighting	SOP-8	Main/sub dual-channel driver with short circuit and over temp. protection	Prod
IS31LT3117	Linear	6 - 53V	±5.0%	Integrated	Low-side CCR	eTSSOP-16	Four 350 mA channel current sinks. Support for external ballast transistor	Prod
IS31LT3170/1	Linear	2.8 - 42V	-	Integrated	Emergency lighting, retail lighting	SOT23-6	Adjustable CCR 10 to 150mA, negative thermal coeff., low / high side, IS31LT3171 PWM dimming	S=Q2/15
IS31LT3172/3	Linear	2.8 - 42V	-	Integrated	Emergency lighting, retail lighting	SOP-8EP	Adjustable CCR 10 to 200mA, negative thermal coeff., low / high side, IS31LT3173 PWM dimming	S=Q2/15

Evaluation Boards * Note : Visit www.issi.com for a complete list of Evaluation Boards.

Device	Evaluation Board	Description
IS31LT3135	IS31LT3135-V1GRLS2-EB	Dual Ch. - 1.17V
IS31LT3350	IS31LT3350-V1SDLS2-EB3CH	3CH
IS31LT3354	IS31LT3354_STLS2_EBDCDC	AC Input
IS31LT3360	IS31LT3360-SDLS3-EBMR16 IS31LT3360-SDLS3-EBAIC	MR16 AIC
IS31LT3380	IS31LT3380_GRLS3_EBMR16	1.2A MR16
IS31LT3505	IS31LT3505-SLS2-EBDC	Constant Current

Device	Evaluation Board	Description
IS31LT3910	IS31LT3910_T8_EB	T8 Evaluation Board
IS31LT3916	IS31LT3916_EB_T8ISO_V01A IS31LT3916_EB_BULB_V01A	T8 Isolated Bulb
IS31LT3918	IS31LT3918_GRLS2_EBT8	T8
IS31LT3932	IS31LT3932-GRLS2-EBBULB	10LEDLoad
IS31LT3935	IS31LT3935-EBBULB-ISO110	A19
IS31LT3938	IS31LT3938-GRLS2-EBBULB IS31LT3938-GRLS2-EBT8	Bulb T8
IS31LT3948	IS31LT3948-GRLS2-EBAC	General



- **Analog Product Family**
 31 = Analog and Mixed Signal
 32 = Automotive Analog and Mixed Signal
- **Product Type**
 AP = Audio Power Amplifier
 BL = White LED Driver for LCD Backlight
 FL = FxLED Driver
 LT = Lighting LED Driver
- **Temperature Grade**
 S1 = Commercial (0°C to 70°C)
 S2 = Industrial temp. (-40°C to 85°C)
 S3 = Industrial temp. (-40°C to 105°C)
 S4 = Industrial temp. (-40°C to 125°C)
 A1 = Automotive Grade (-40°C to +85°C)
 A2 = Automotive Grade (-40°C to +105°C)
 A3 = Automotive temp. (-40 to 125°C)
- **Solder Type**
 Blank = Sn/Pb
 L = Lead-free (RoHS Compliant)
- **Package Type**
 C = WCSP
 D = DFN
 GR = SOP
 QF = QFN
 S = MSOP
 SD = SOT89
 ST = SOT23
 TT = TSOT23
 UT = UTQFN
 Z = TSSOP
- **Voltage Range / Parameters**
 Sense Voltage Range
 V1 = 91mV to 101mV
 V2 = 99mV to 110mV
 Under-Voltage Range
 V1 = 1.13V to 1.21V
 V2 = 1.19V to 1.26V

Advanced Memory Solutions

Innovative Analog and Mixed Signal Solutions

*HEADQUARTERS

West Coast

San Jose, CA

408-969-6600 Tel.

408-969-7800 Fax

Central USA

Copell, TX

972-393-9900 Tel.

408-969-4749 Fax

East Coast USA

Dunstable, MA

978-649-1216 Tel.

978-649-3208 Fax

Southeast USA

Raleigh, NC

919-844-5873 Tel.

China, Beijing

86-10-82274081 Tel.

86-10-82274082 Tel.

86-10-82274079 Fax

China Hong Kong

852-23192211 Tel.

852-23192004 Fax

China-Shanghai

86-21-50802288 Tel.

86-21-50802028 Fax

China-Shenzhen

86-755-88319800 Tel.

86-755-88319810 Fax

China-Xiamen City

86-592-3228128 Tel.

86-592-3228077 Fax

India, Bangalore

91-80-41472556 Tel.

91-80-41472558 Fax

India, Chennai

91-44-42218428 Tel.

91-44-42218222 Fax

India, New Delhi

91-11-46536132 Tel.

91-80-22251133 Fax

Japan, Tokyo

81-3-5339-2950 Tel.

81-3-5339-2951 Fax

Korea, Kyunggi-Do

82-31-715-6406 Tel.

82-31-715-6209 Fax

Singapore

+65-6316-3035 Tel.

+65-6316-3039 Fax

Taiwan, Hsin-Chu

886-3-5780333 Tel.

886-3-5783000 Fax

Taiwan, Taipei

886-2-26962140 Tel.

886-2-26962252 Fax

Europe

Devon, England

44-1803-840110 Tel.

44-1803-865199 Fax



1623 Buckeye Drive, Milpitas, CA 95035

p 408-969-6600 | f 408-969-7800 | analog@issi.com | www.issi.com

© 2015, ISSI, Inc. All Rights Reserved. ISSI is a registered trademark of Integrated Silicon Solution, Inc.