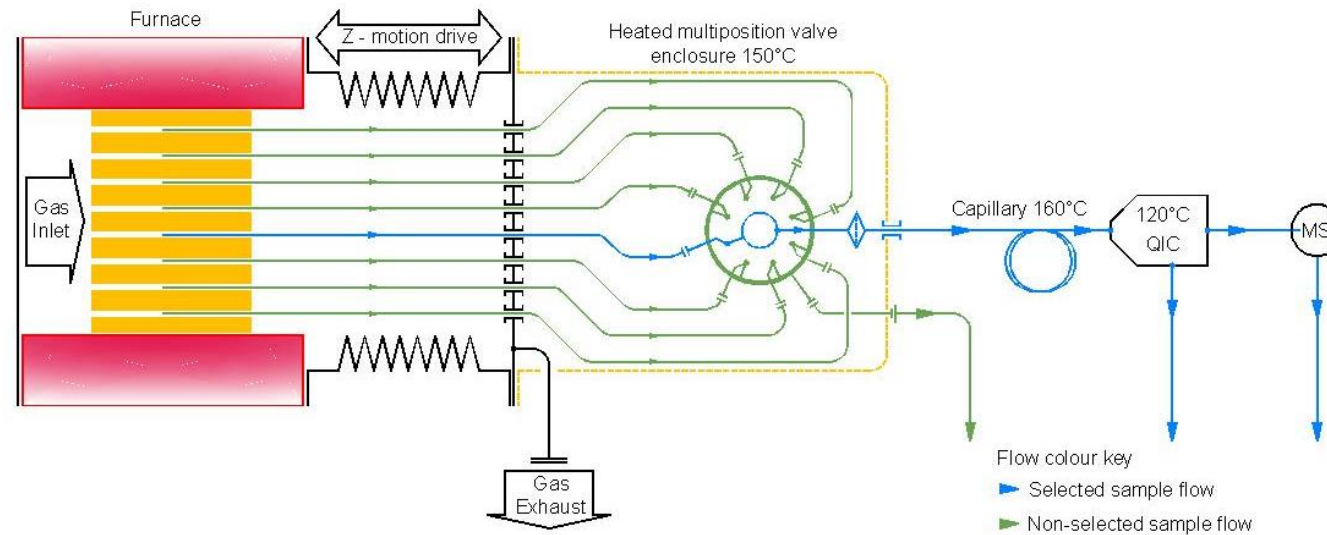


SpaciMS

Multi-channel Inlet
for Intra-Catalyst Gas Analysis

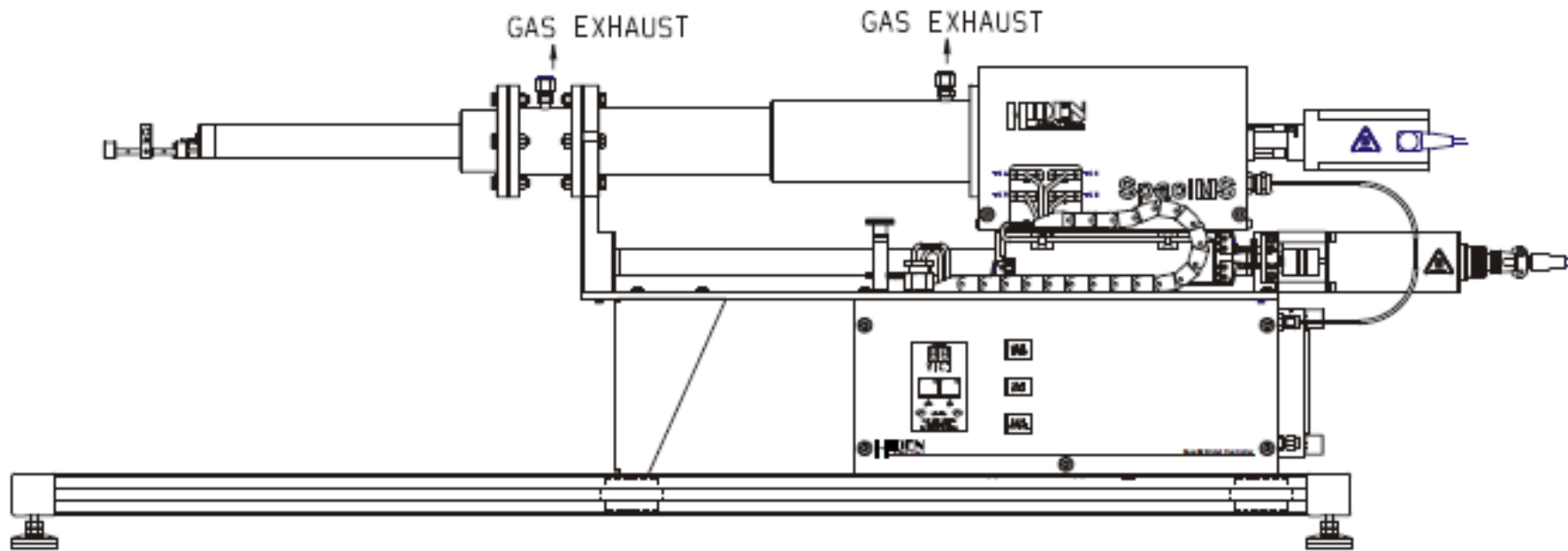
SpaciMS Schematic



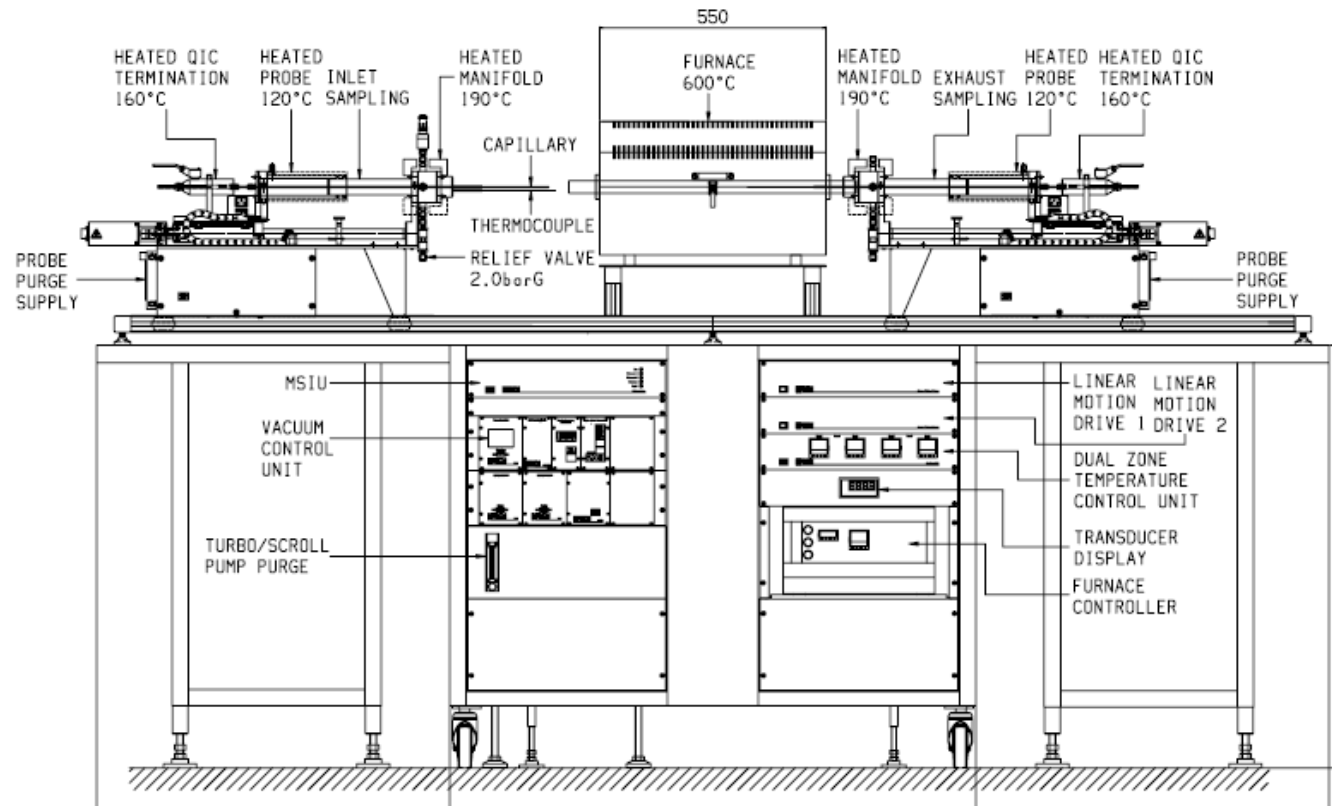
Schematic HPR20 SpaciMS system for spatially resolved catalysis studies

- Capillaries are inserted into the catalyst monolith and are moved by the integrated z-motion drive.

SpaciMS Probe Layout



Twin Inlet SpaciMS

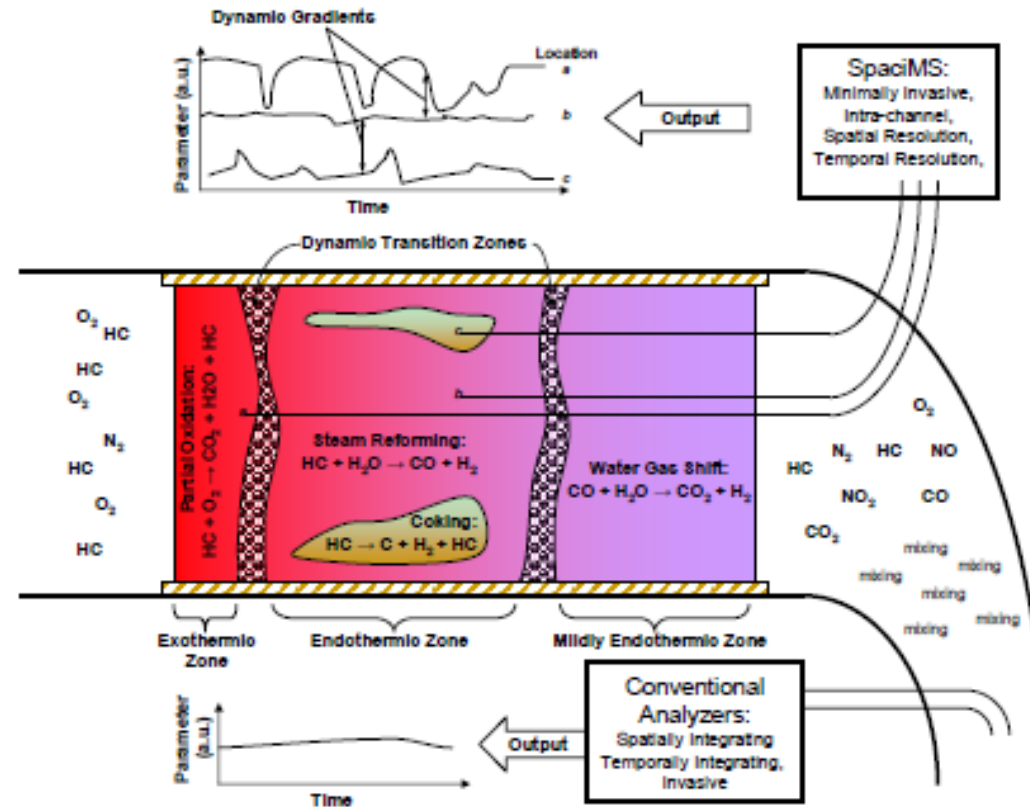


- For Sampling inlet/outlet gas composition of Diesel Particulate filters

SpaciMS Probe

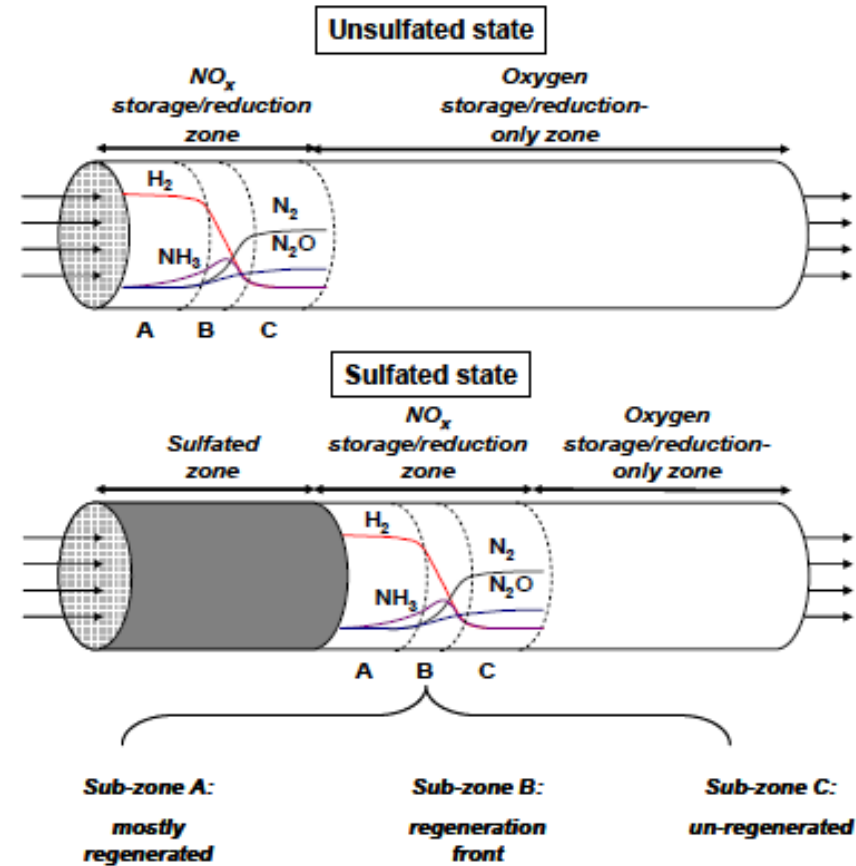


SpaciMS Analysis



- SpaciMS allows mapping of reaction profiles inside the catalyst and not just at the exhaust

SpaciMS Analysis



- Different catalyst reaction zones can be monitored with the intra-catalyst probes

Features

- Up to 16 capillaries and thermocouples
 - Minimally invasive
- Identify reaction zones inside the catalyst monolith
- Integrated capillary channel sampling and z-drive positioning
 - Optional furnace and gas supply control

Recent Customers



- 
- www.HidenAnalytical.com
 - The Hiden website is an excellent resource with product pages, brochures, catalogues, product pages with some application notes, presentation and other information.
 - Contact +44 1925 445225 for direct support.