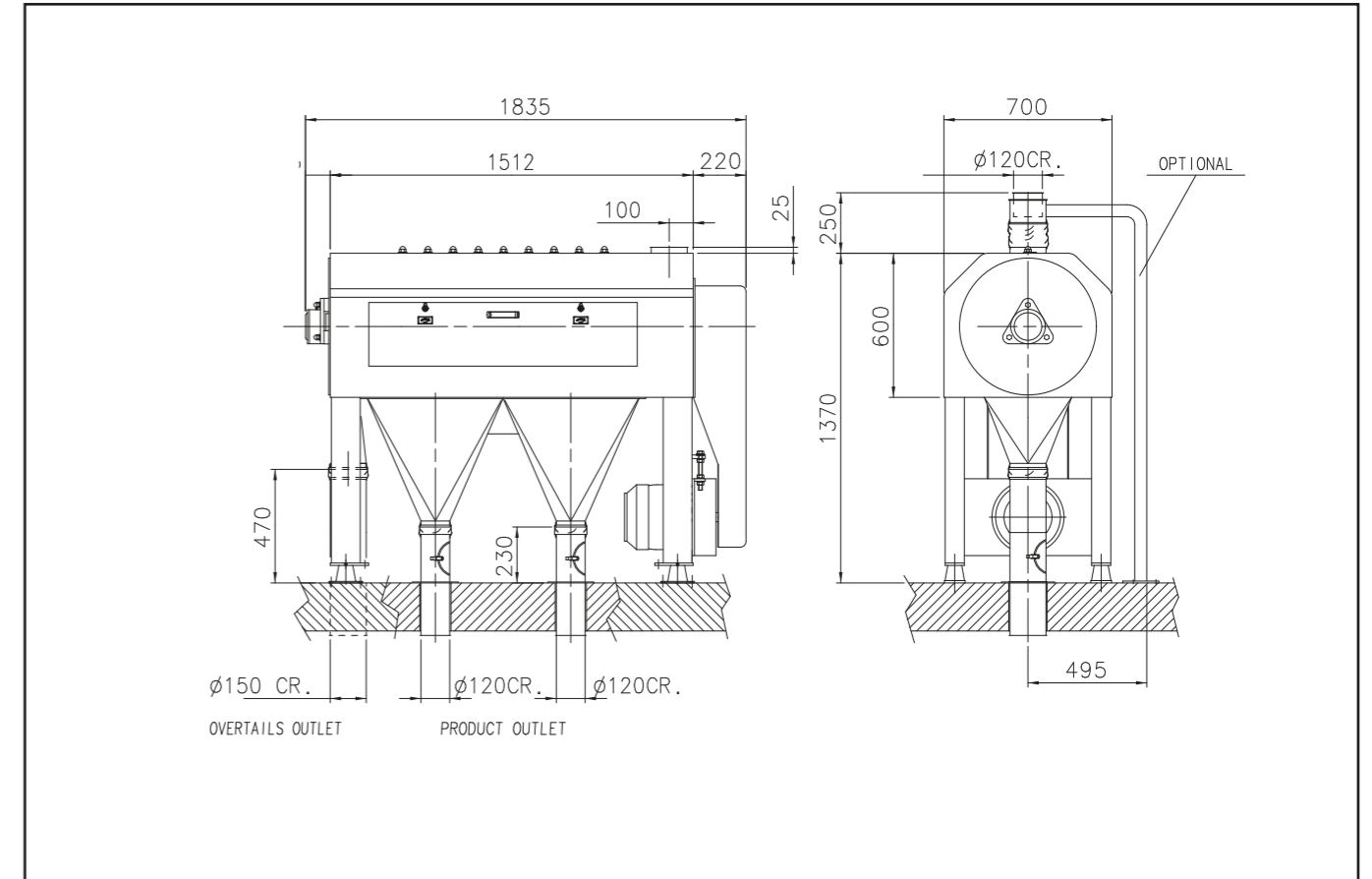


GVSO

Horizontal Vibrating Sifter

The horizontal vibrating sifter GVSO is inserted in the grinding section with the purpose of sifting the more sticky flour.



Model	Capacity t/h	Motor Kw	Sifting Surface m ²	Aspiration		Weight Kg	Volume m ³
				m ³ /min	mmH ₂ O		
5012	1	5,5	1,1	5	80	420	2,3

Units = mm