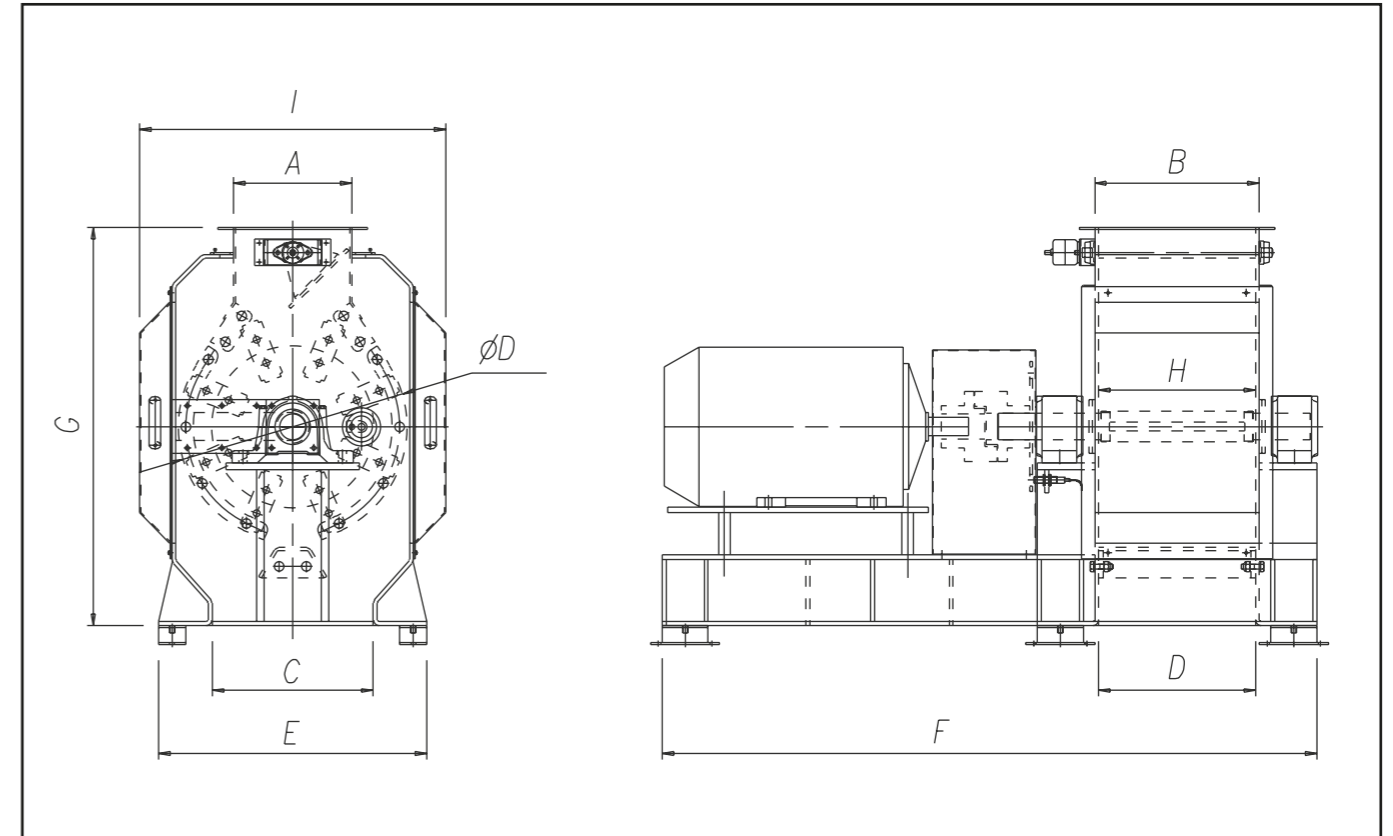


MSB

Hammer Mill

Reversible rotation machine with control by means of an electric motor. Metal construction with gauge broadly dimensioned. Dynamically equilibrated rotator is equipped with special profile hammers in hardened steel. Complete with base for the fastening of the electric motor.



Model	Motor kW	A	B	C	D	E	F	G	H	I	ØD
MSB 60/40	30÷55	310	430	420	410	700	1710	1040	355	800	600
MSB 60/60	30÷75		620	420	600	700	1900	1040	545	800	600
MSB 60/80	75÷132		810	420	790	700	2210	1040	735	800	600
MSB 60/100	110÷200		1000	420	980	700	2400	1040	925	800	600
MSB 120/50	110÷160		520	1020	500	1300	2300	1600	450	1470	1200
MSB 120/75	160÷200		720	1020	750	1300	2550	1600	690	1470	1200

Units = mm