

Model	Capacity @ 500 mm LC	Fuel Type	Engine
CPCD25	2,500 kg	Diesel	Xinchai A490BPG / 2.54 L
CPCD25	2,500 kg	Diesel	ISUZU AK-C240PKJ-30 / 2.369 L
CPCD25	2,500 kg	Diesel	YANMAR 4TNE92-HRJ / 2.659 L

CPCD25

Diesel
Pneumatic Tire Forklifts

LIUGONG

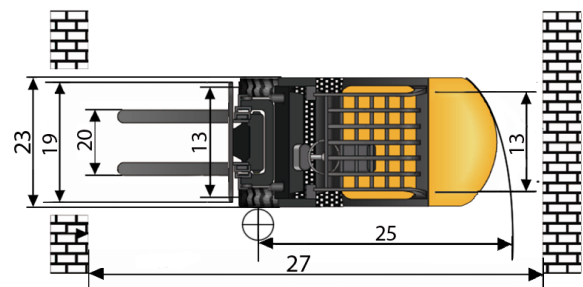
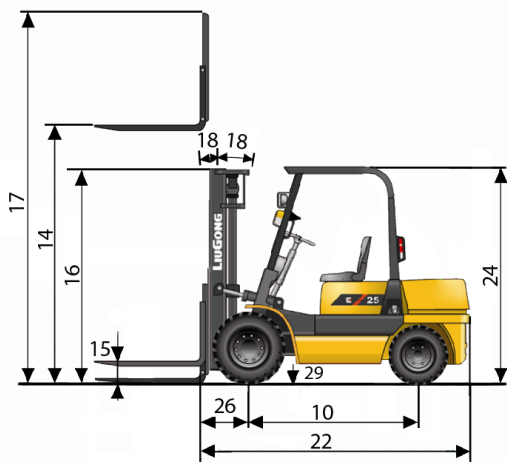


TOUGH WORLD. TOUGH EQUIPMENT.

CPCD25 Diesel • Pneumatic Tire Forklifts



General	1	Model			CPCD25	CPCD25	CPCD25
	2	Power Type			Diesel	Diesel	Diesel
	3	Base Capacity	@rated load center	kg	2,500	2,500	2,500
	4	Load Center		mm	500	500	500
Weights	5	Service Weight	unloaded	kg	3,780	3,780	3,780
	6	Axle Load	loaded / unloaded, front	kg	5,470 / 1,500	5,470 / 1,500	5,470 / 1,500
	7		loaded / unloaded, rear	kg	810 / 2,280	810 / 2,280	810 / 2,280
Tires	8	Tire Type			Pneumatic	Pneumatic	Pneumatic
	9	Wheels	front / rear		2 / 2	2 / 2	2 / 2
	10	Wheelbase		mm	1,600	1,600	1,600
	11	Tire Size	front		7.00-12-12PR	7.00-12-12PR	7.00-12-12PRR
	12		rear		6.00-9-10PR	6.00-9-10PR	6.00-9-10PRR
13	Tread Width	front / rear		970 / 980	970 / 980	970 / 980	
Mast	14	Max. Fork Height	with std 2-stage mast	mm	3,000	3,000	3,000
	15	Freelift	with std 2-stage mast	mm	140	140	140
	16	Height, Upright Lowered	with std 2-stage mast	mm	2,039	2,039	2,039
	17	Height, Upright Extended	with std 2-stage mast	mm	4,065	4,065	4,065
	18	Mast Tilt, Fwd/Back	with std 2-stage mast	deg	6° / 12°	6° / 12°	6° / 12°
	19	Carriage	width	mm	1,040	1,040	1,040
	20	Fork Spread	minimum / maximum	mm	222 / 1,010	222 / 1,010	222 / 1,010
	21	Fork Dimensions	T x W x L	mm	45 x 100 x 920	45 x 100 x 920	45 x 100 x 920
Chassis	22	Length to Fork Face	with std 2-stage mast	mm	2,566	2,566	2,566
	23	Overall Width		mm	1,150	1,150	1,150
	24	Overhead Guard Height		mm	2,100	2,100	2,100
	25	Turning Radius	minimum outside	mm	2,285	2,285	2,285
	26	Fork Overhang	with std 2-stage mast	mm	470	470	470
	27	Right Angle Stack	add load length and clearance	mm	4,015	4,015	4,015
	28	Ground Clearance	minimum loaded	mm	110	110	110
	29		center of wheelbase	mm	120	120	120
Performance	30	Travel Speed	loaded / unloaded	Km/h	19 / 20	19 / 20	19 / 20
	31	Lift Speed	loaded / unloaded	m/s	0.46 / 0.5	0.46 / 0.5	0.46 / 0.5
	32	Lower Speed	loaded / unloaded	m/s	0.55 / 0.4	0.55 / 0.4	0.55 / 0.4
	33	Max. Drawbar Pull	loaded	kg	1,683	1,683	1,683
	34	Max. Gradeability	loaded / unloaded	%	18 / 20	18 / 20	18 / 20
Systems	35	Brakes	service		Foot / Hyd	Foot / Hyd	Foot / Hyd
	36		parking		Hand / Mech	Hand / Mech	Hand / Mech
	37	Engine	manufacturer		Xinchai	ISUZU	YANMAR
	38		model		A490BPG	AK-C240PKJ-30	4TNE92-HRJ
	39		emission compliance		China Tier II	Euro Tier III	EPA / Euro Tier III
	40		cylinders		4	4	4
	41		displacement	liter	2.54	2.369	2.659
	42		rated power	kW/rpm	36.8 / 2,650	35.4 / 2,500	32.8 / 2,450
	43		max. torque	N · m/rpm	148 / 1,900	137.7 / 1,800	140 / 1,700



Guangxi Liugong Machinery Co., Ltd.

No. 1 Liutai Road, Liuzhou, Guangxi 545007, PR China
 T: +86 772 3886124 E: overseas@liugong.com
 www.liugong.com

02/2014 Designed by LiuGong