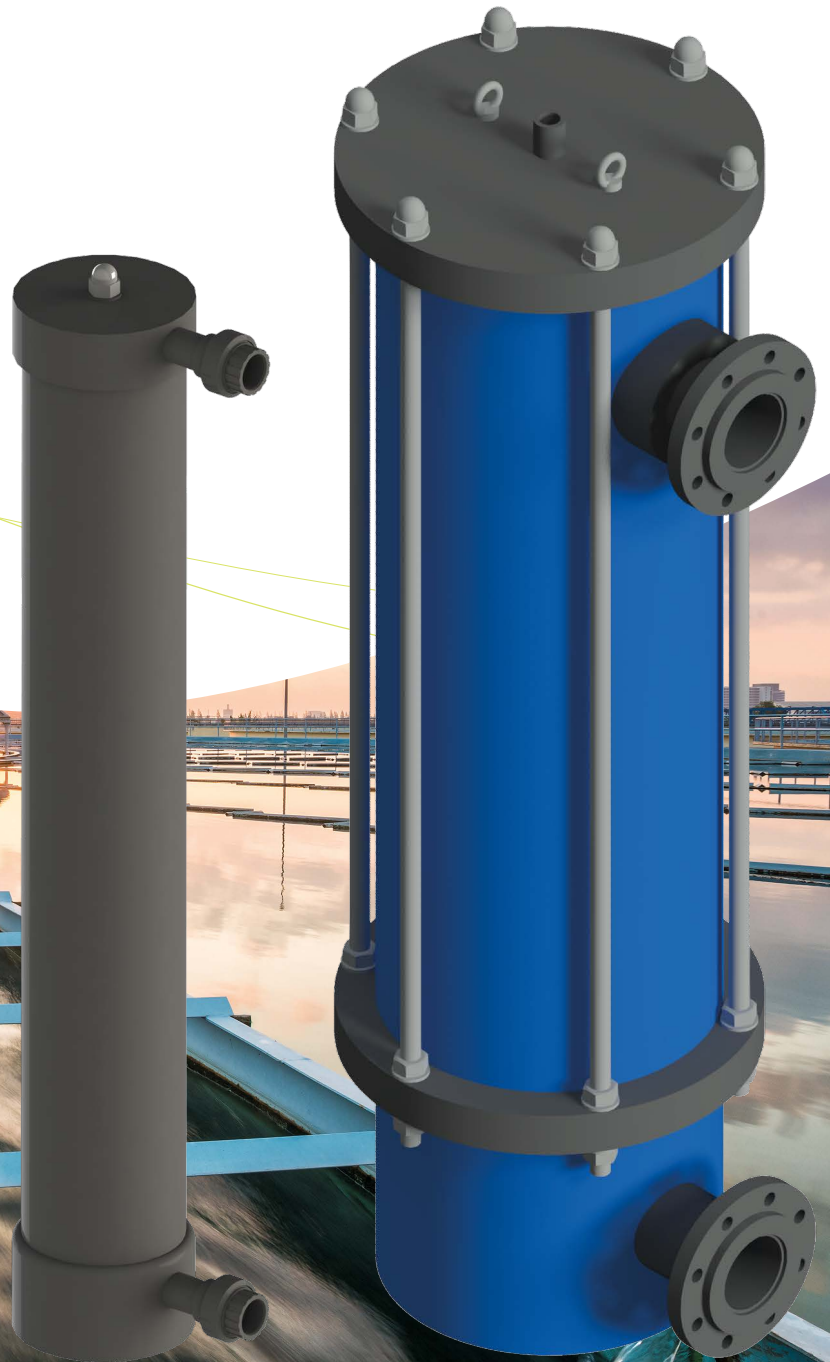




FTPV Series PVC Filter Housings

Fluytec's classic PVC Housing:
High Quality in a simple design





Introduction

Fluytec PVC filter housings combine design simplicity with high filtering quality. These are specially suitable in those applications that handle small amounts of salty water, both brackish and sea water: from 3m³/h to 150 m³/h.

Standard materials

Body: PVC

FF plate: PVC

External nuts and bolts: SS AISI 316 (A4 Quality)

Internal elements: PVC, PP

Closure Gaskets: EPDM

Connections: Threaded or Flanged (Lap Joint)

*Orientations customizable by client: 0°-180°

Cartridge installation

Fluytec's classic FTPV housings are designed with a Traditional Cartridge Filter Housing System, which ensures a perfect water tightness while avoiding raw water bypasses. This is achieved by forcing the fluid to pass through the filtering media thanks to the following:

The bottom of the cartridge is incrustated into the guide tube, the base of which has a perimeter knife edge to seal the bottom end of the cartridge - **Figure 1** -.

The top is closed with a part exclusively designed and manufactured by Fluytec called "nipple", which is pressed against the cartridge by the springs between it and the top and/or filter lid - **Figures 2 and 3** -.

General description

These filter housings are designed according to the ASME design code for pressure vessels and manufactured according to the 2014/68/EU S.4.3 European Directive of Pressure Vessels. Standard Design Pressure is 6 Bar and Test Pressure is 9 Bar.

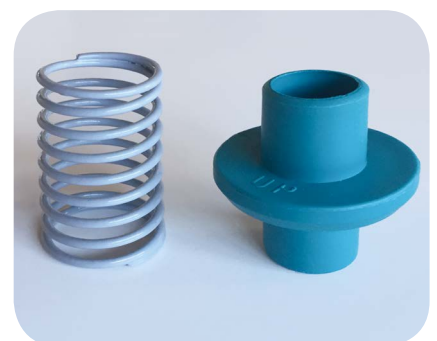
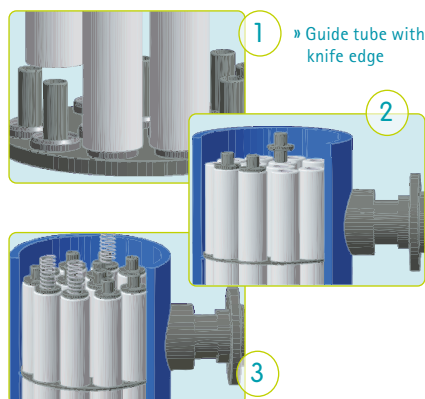
The housings are made of PVC and the internal parts are of plastic materials except for the springs which are made of plastic coated SS.

In smaller items of this family, the inlet and outlet connections are threaded. *In larger ones, they are of standard DIN 2576 PN10 flanges (unless specifically indicated otherwise).



Advantages

- High filtering quality.
- Excellent quality/price ratio.
- Easy cartridge replacement.
- Fluid treatment versatility with a simple design.

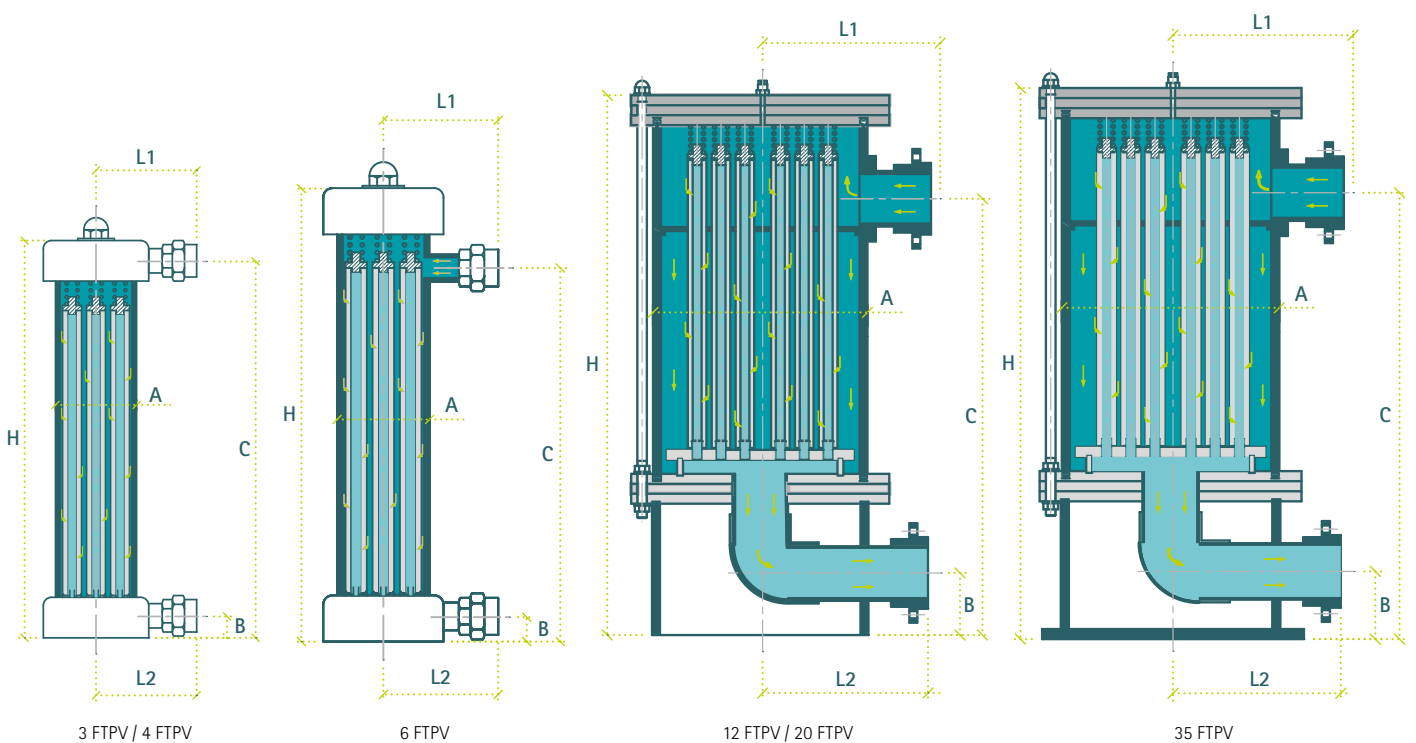


Models & Characteristics

MODEL	CARTRIDGES	QDESIGN m ³ /hour	DIMENSIONS (mm)					
			(DN)	B	C	H	L1/L2	F1/F2
3 FTPV-2	3 of 20"	4	180	70	715	745	210	32
3 FTPV-3	3 of 30"	6	180	70	965	995	210	32
3 FTPV-4	3 of 40"	8	180	70	1,215	1,245	210	32
4 FTPV-3	4 of 30"	8	200	82	995	1,030	230	40
4 FTPV-4	4 of 40"	10	200	82	1,245	1,280	230	40
4 FTPV-5	4 of 50"	13	200	82	1,495	1,530	230	40
6 FTPV-3	6 of 30"	12	250	82	846	1,005	280/265	50
6 FTPV-4	6 of 40"	16	250	82	1,096	1,255	280/265	50
6 FTPV-5	6 of 50"	20	250	82	1,346	1,505	280/265	50
12 FTPV-3	12 of 30"	23	330	122	1,039	1,237	300/261	80
12 FTPV-4	12 of 40"	31	330	122	1,289	1,487	300/261	80
12 FTPV-5	12 of 50"	39	330	122	1,539	1,737	300/261	80
20 FTPV-3	20 of 30"	39	400	140	1,075	1,305	335/350	100
20 FTPV-4	20 of 40"	52	400	140	1,325	1,555	335/350	100
20 FTPV-5	20 of 50"	65	400	140	1,575	1,805	335/350	100
35 FTPV-3	35 of 30"	69	540	175	1,122	1,377	430/420	125
35 FTPV-4	35 of 40"	91	540	175	1,372	1,627	430/420	125
35 FTPV-5	35 of 50"	114	540	175	1,622	1,877	430/420	125

Measurements in mm.

Design flows calculated for a flow rate of 0.65 m³/h for every 10" of cartridge.





Subject to change without notice.

Other products in this range:

- FTP BL Series (Boltless FRP/GRP Filter Housings)
- FTP Series (GRP Filter Housings)
- FTI Series (SS, CS)
- ...

Fluytec solutions worldwide



Visit our Website for more information



Camino Sakoni, 18 48950 Erandio, Vizcaya (Spain) | T: (+34) 944 676 150 | info@fluytec.com | fluytec.com



v.5