

Customer focused development

- spindles + slides
- plan-tables + instruments
- machines
- micro cutting technology



Performance features

- stick-slip free movement
- air bearing technology
- excellent operation after air-system failure
- maximum total load

Air Bushings LLB



Air bushings for versatile application!

With the air bushings of the production series LLB the ess Mikromechanik GmbH offer a single working air bearing component. It is possible with this air bushings to realize different translator tasks.

The tradition of the ess Mikromechanik GmbH engaged us to exception performances. So we guarantee a maximum amount of dry-running operation, caused by the special material used by this of us, in the case of an air interruption.

The individual air bushings can be combined about suitable connection elements to a complete system with which it is possible to move also biggest loads highly exactly an highly dynamically.

Gewerbestraße 10
D-78333 Stockach-Windegg

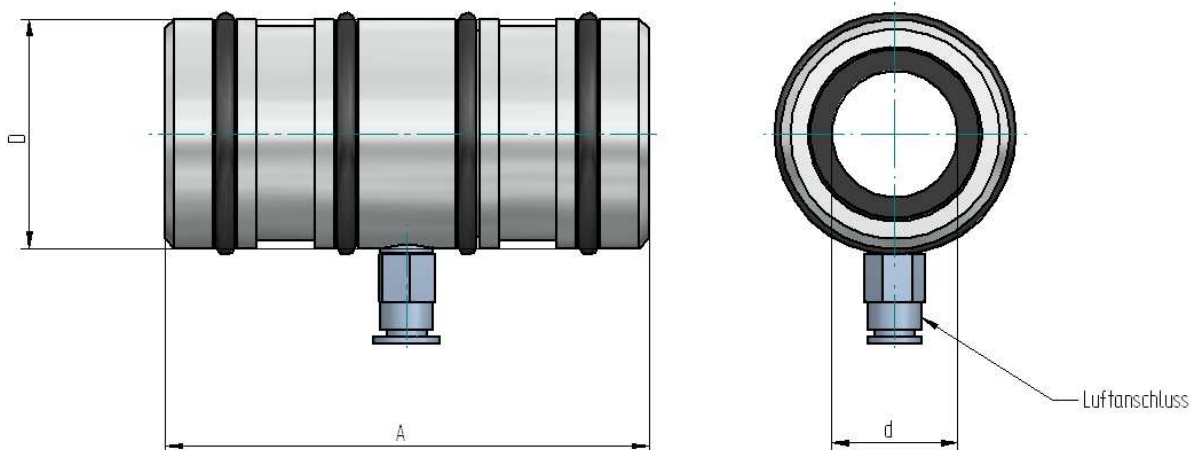
Tel. +49 7771-8701-0
Fax +49 7771-8701-22

info@ess-mikromechanik.de
www.ess-mikromechanik.de



Technical Data

Air bushings LLB 13 / 20 / 25 / 40 / 50 / 75 / More on application ess Mikromechanik GmbH



Strength

Marking	Article No.	Max. Load N	Max. Stiffness N/ μ m	Max. Tilt Nm	Air Consumption l/min	Bushing Weight g
LLB13	F-00000003	45	12	0,8	2,0 - 3,0	35,0
LLB20	F-00000006	135	22	1,0	3,5 - 4,5	35,0
LLB25	F-00000009	190	35	2,0	4,5 - 6,0	35,0
LLB40	F-00000029	650	75	3,0	7,0 - 9,0	50,0
LLB50	F-00000012	950	115	5,0	9,0 - 12,0	70,0
LLB75	F-00000059	1250	160	7,0	13,0 - 16,0	70,0

Dimension

Marking	Bushing Inside \varnothing +0,005 / 0 mm (d)	Bushing Outside \varnothing mm (D)	Bushing Length mm (A)	Mounting \varnothing +0,125 / 0 mm	Recommended Shaft \varnothing 0 / -0,007	Min. Installation Length mm
LLB13	13	23,8	50	24	13	35
LLB20	20	31,8	50	32	20	35
LLB25	25	39,7	58	40	25	35
LLB40	40	59,6	76	60	40	50
LLB50	50	74,5	88	75	50	70
LLB75	75	99,5	88	100	75	70