



STEPPING MOTORS

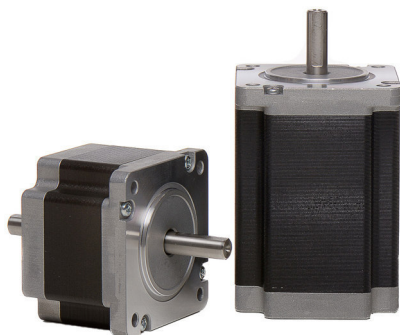
2-Phase Step Motor | Flange 60mm | 1.15 - 3.30 Nm

SCHRITTMOTOREN

2-Phasen Schrittmotoren | Flansch 60mm | 1,15 - 3,30 Nm



□ 60mm High-Torque Step Motor upto 3.3 Nm



The 2-Phase Step Motors of the HECM26 series are a Generation of powerful Nema 24 High-Torque Step Motors with a 60mm Flange and a Shaft diameter of 8 mm.

The Step Motors are available in 4 lengths with Single Shafts or Double Shafts. The Holding Torque of the HECM26 series reach upto 3.3Nm.

Due to the high Holding Torque, as well as the low Vibrations and the resulting smoother running, this Step Motors can be used in various Applications, especially when because of lack of space no larger Flange can be used.

Model	Bipolar Parallel				Bipolar Serial				Unipolar			
	Holding-Torque [Nm]	Phase-current [A]	Resistance /Phase [Ohm]	Inductance /Phase [mH]	Holding-Torque [Nm]	Phase-current [A]	Resistance /Phase [Ohm]	Inductance /Phase [mH]	Holding-Torque [Nm]	Phase-current [A]	Resistance /Phase [Ohm]	Inductance /Phase [mH]
HECM264-E2.0 (A/B)	1.15	2.8	0.73	2.1	1.15	1.4	2.9	8.4	0.85	2.0	1.45	2.1
HECM264-E3.0 (A/B)	1.15	4.2	0.33	1.0	1.15	2.1	1.3	4.0	0.85	3.0	0.65	1.0
HECM266-E2.0 (A/B)	1.82	2.8	1.0	3.8	1.82	1.4	4.0	15.2	1.35	2.0	2.0	3.8
HECM266-E3.0 (A/B)	1.82	4.2	0.43	1.6	1.82	2.1	1.7	6.4	1.35	3.0	0.85	1.6
HECM267-E2.4 (A/B)	2.35	3.5	0.75	3.1	2.35	1.75	3.0	12.4	1.75	2.45	1.5	3.1
HECM267-E3.0 (A/B)	2.35	4.2	0.5	2.0	2.35	2.1	2.0	8.0	1.75	3.0	1.0	2.0
HECM269-E2.4 (A/B)	3.3	3.5	1.0	5.0	3.3	1.75	4.0	20.0	2.45	2.45	2.0	5.0
HECM269-E3.0 (A/B)	3.3	4.2	0.65	3.2	3.3	2.1	2.6	12.8	2.45	3.0	1.3	3.2

HECM 264 - E 2.0 A

Article-Declaration:

- A** A = Single Shaft
B = Double Shaft
- 2.0** unipolar Phase Current
- E** 8 Leads-Version
- 4** Length
- 6** Flange 6 = 60 mm
- 2** 2-Phase Step Motor

HECM High-Torque-Step Motor



HECM264... Series

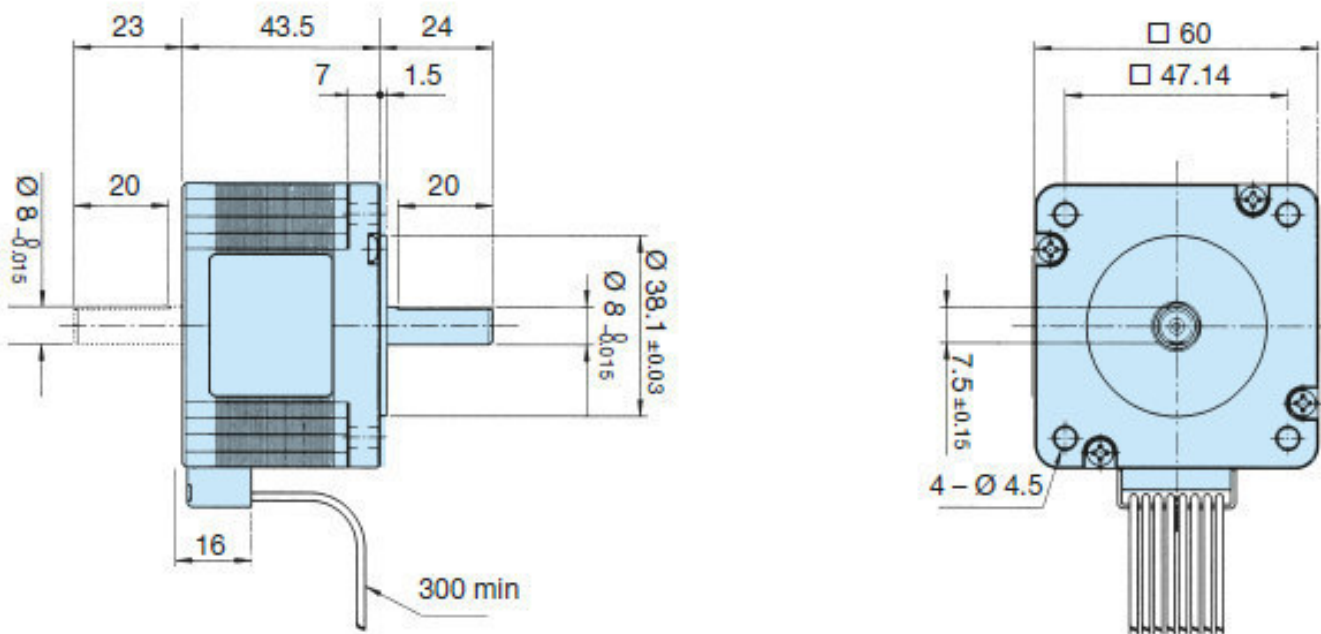
2-Phase Step Motor

[1.8° High-Torque-Version]

Model A = Single Shaft B = Double Shaft	● Bipolar Parallel				● Bipolar Serial				● Unipolar				Torque Speed-curve
	Holding Torque [Nm]	Current/Phase [A]	Resistance/Phase [Ohm]	Inductance/Phase [mH]	Holding Torque [Nm]	Current/Phase [A]	Resistance/Phase [Ohm]	Inductance/Phase [mH]	Holding Torque [Nm]	Current/Phase [A]	Resistance/Phase [Ohm]	Inductance/Phase [mH]	
HECM264-E2.0 (A/B)	1.15	2.8	0.73	2.1	1.15	1.4	2.9	8.4	0.85	2.0	1.45	2.1	A1
HECM264-E3.0 (A/B)	1.15	4.2	0.33*	1.0	1.15	2.1	1.3*	4.0	0.85	3.0	0.65*	1.0	A2

Number of Leads	Weight of Motor	Size Length	Rotor Inertia
8	0.6 kg	60 x 60 x 43,5 mm	280 x 10 ⁻⁷ kgm ²

Resistance / Phase (Ω) = $\pm 10\%$, (* $\pm 15\%$), Inductance / Phase (mH) = $\pm 20\%$



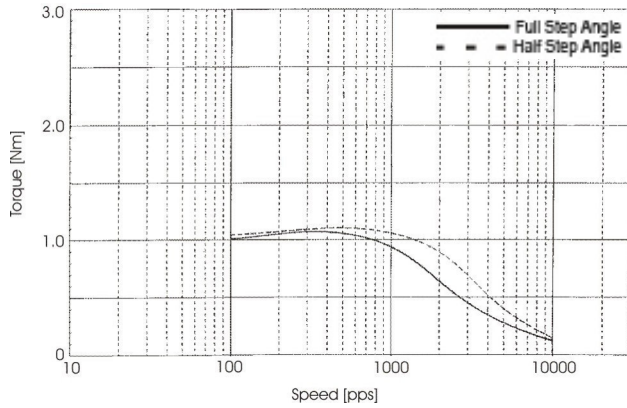
Planetary Gears are optionally available



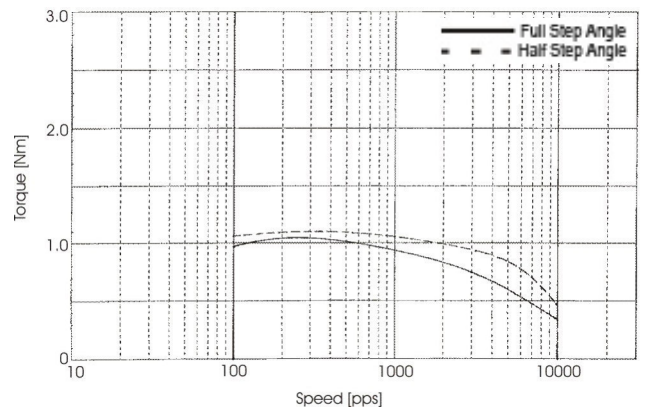
EC Motion GmbH - Glockensprung (neu) 8 - D-41812 Erkelenz
 Tel.: +49-2431-94206-0 - E-Mail: info@ec-motion.de
 Internet: www.ec-motion.de



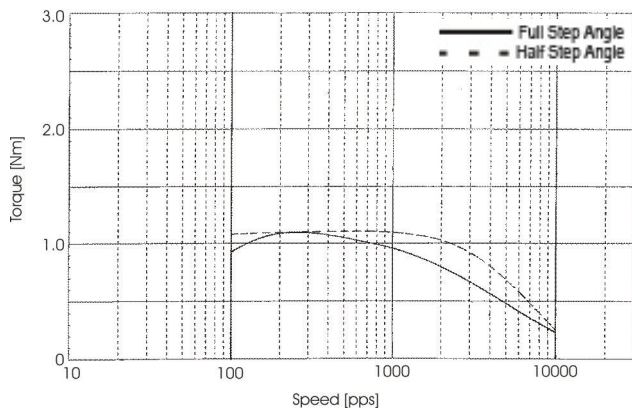
(A1) Motor: HECM264-E2.0A/B
Driver: ECMD288.000 (24V; 2.8A)



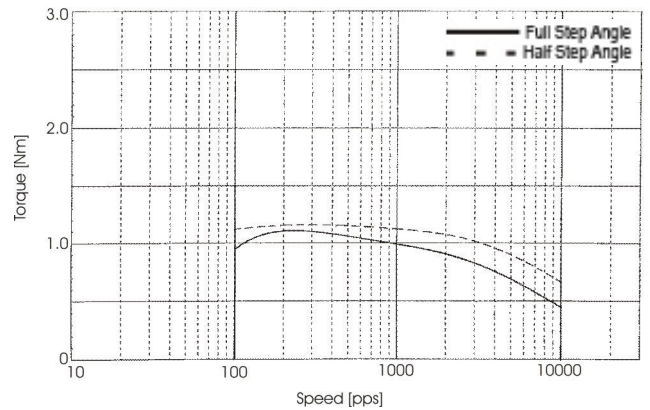
(A1) Motor: HECM264-E2.0A/B
Driver: ECMD288.000 (48V; 2.8A)



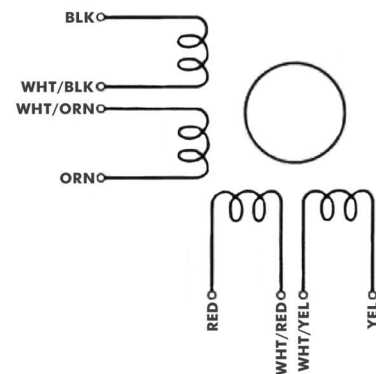
(A2) Motor: HECM264-E3.0A/B
Driver: ECMD288.000 (24V; 4.2A)



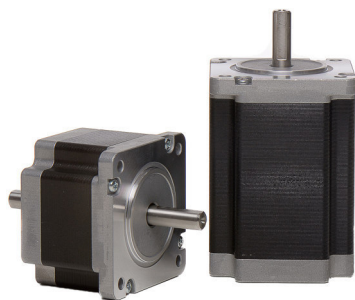
(A2) Motor: HECM264-E3.0A/B
Driver: ECMD288.000 (48V; 4.2A)



LEAD No.	LEAD COLOR
1	ORANGE
2	BLACK / WHITE
3	RED / WHITE
4	YELLOW
5	BLACK
6	ORANGE / WHITE
7	YELLOW / WHITE
8	RED



EC MOTION

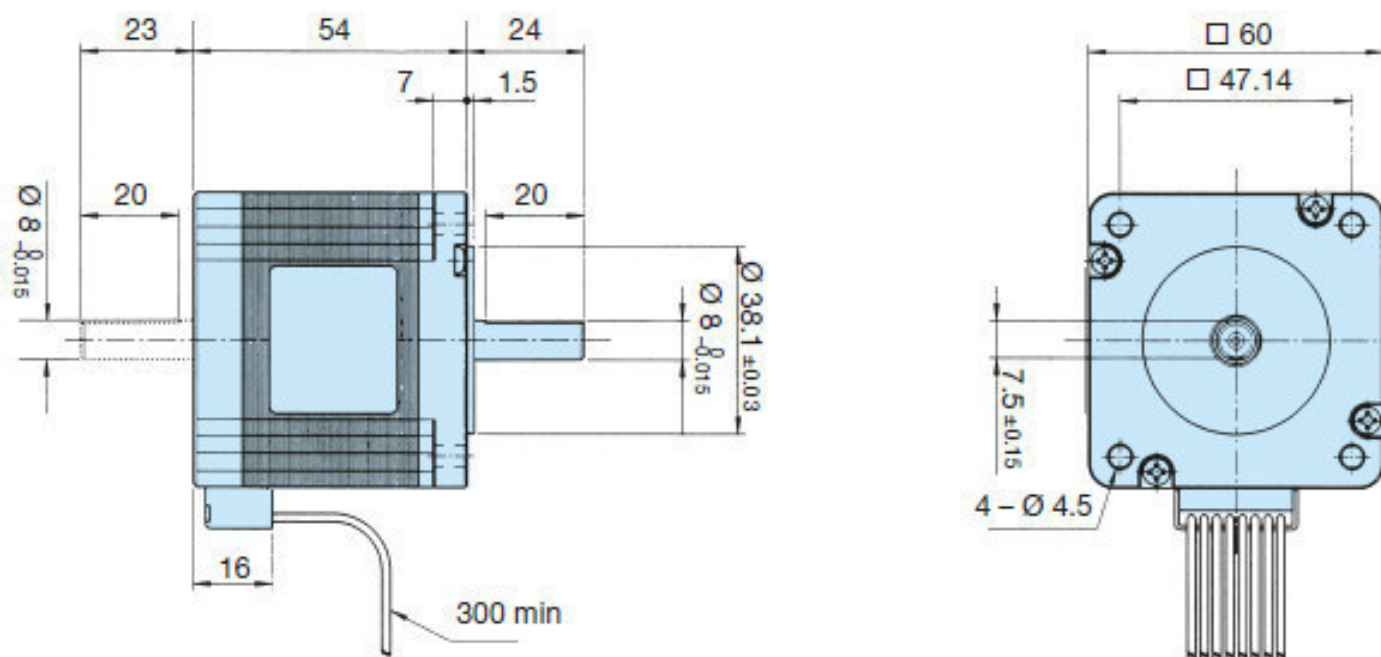


HECM266... Series 2-Phase Step Motor [1.8° High-Torque-Version]

Model A = Single Shaft B = Double Shaft	● Bipolar Parallel				● Bipolar Serial				● Unipolar				Torque Speed- curve
	Holding Torque [Nm]	Current/ Phase [A]	Resistance/ Phase [Ohm]	Inductance/ Phase [mH]	Holding Torque [Nm]	Current/ Phase [A]	Resistance/ Phase [Ohm]	Inductance/ Phase [mH]	Holding Torque [Nm]	Current/ Phase [A]	Resistance/ Phase [Ohm]	Inductance/ Phase [mH]	
HECM266-E2.0 (A/B)	1.82	2.8	1.0	3.8	1.82	1.4	4.0	15.2	1.35	2.0	2.0	3.8	(B1)
HECM266-E3.0 (A/B)	1.82	4.2	0.43*	1.6	1.82	2.1	1.7*	6.4	1.35	3.0	0.85*	1.6	(B2)

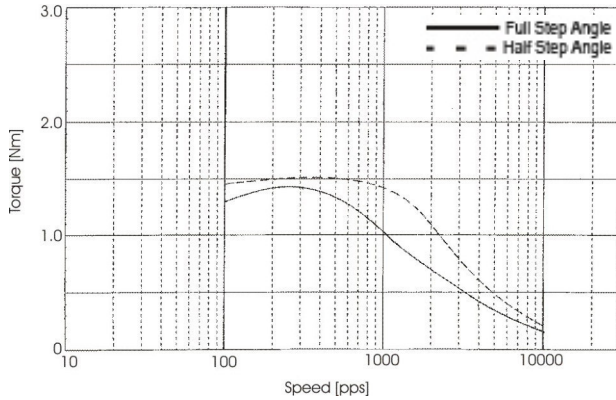
Number of Leads	Weight of Motor	Size Length	Rotor Inertia
8	0.85 kg	60 x 60 x 54 mm	450 x 10 ⁻⁷ kgm ²

Resistance / Phase (Ω) = $\pm 10\%$, (* $\pm 15\%$), Inductance / Phase (mH) = $\pm 20\%$

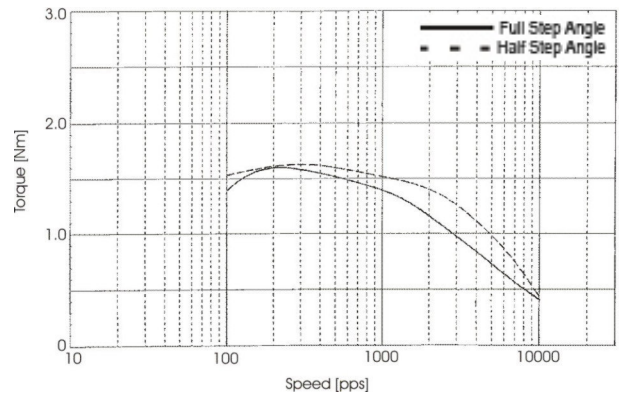


Planetary Gears are optionally available

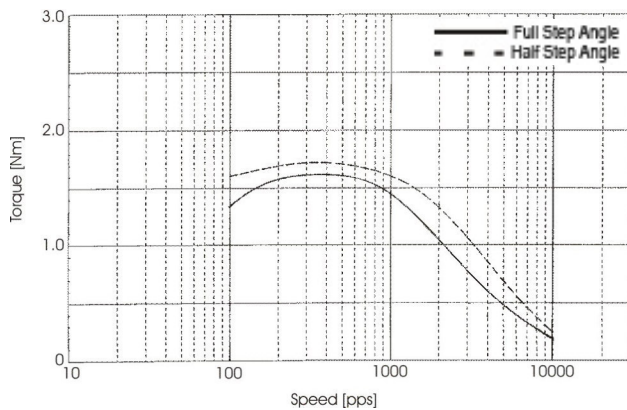
(B1) Motor: HECM266-E2.0A/B
Driver: ECMD288.000 (24V; 2.8A)



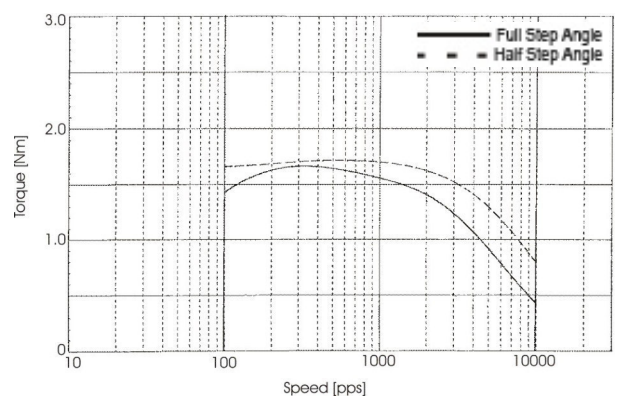
(B1) Motor: HECM266-E2.0A/B
Driver: ECMD288.000 (48V; 2.8A)



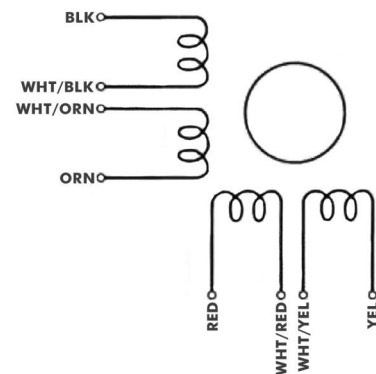
(B2) Motor: HECM266-E3.0A/B
Driver: ECMD288.000 (24V; 4.2A)



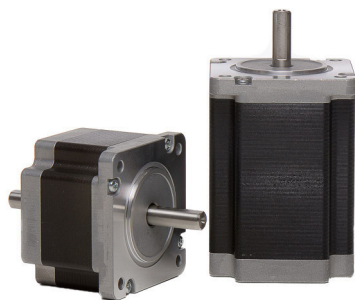
(B2) Motor: HECM266-E3.0A/B
Driver: ECMD288.000 (48V; 4.2A)



LEAD No.	LEAD COLOR
1	ORANGE
2	BLACK / WHITE
3	RED / WHITE
4	YELLOW
5	BLACK
6	ORANGE / WHITE
7	YELLOW / WHITE
8	RED



EC MOTION

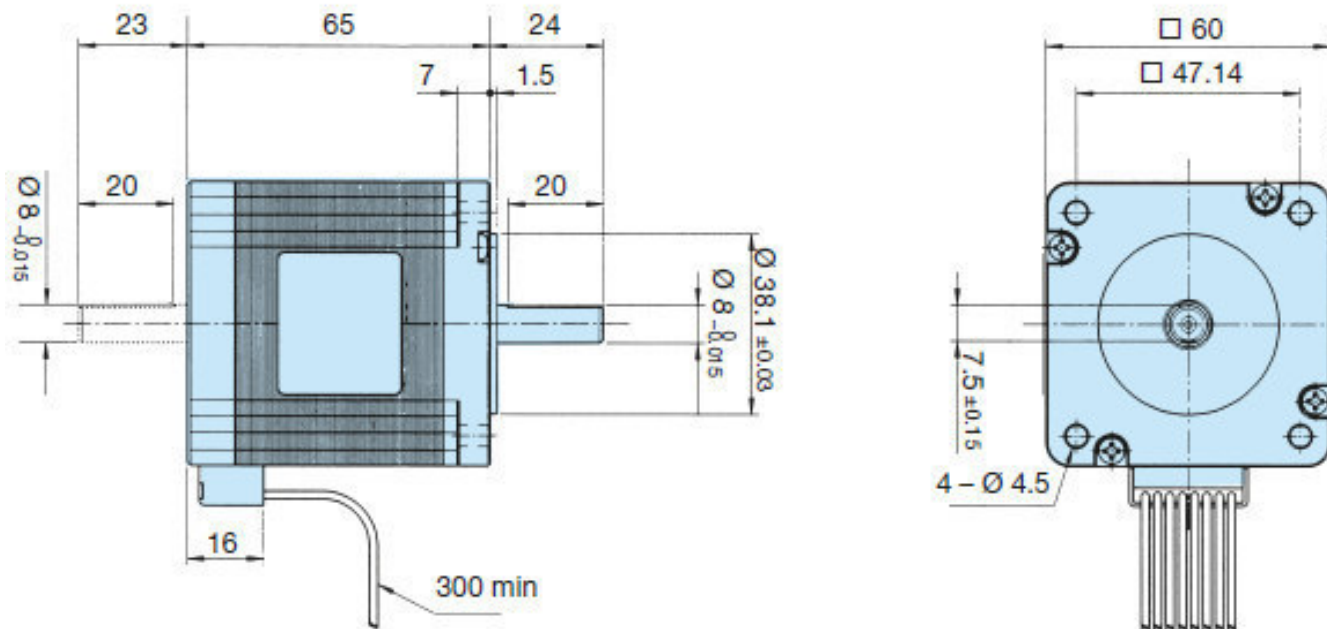


HECM267... Series 2-Phase Step Motor [1.8° High-Torque-Version]

Model A = Single Shaft B = Double Shaft	● Bipolar Parallel				● Bipolar Serial				● Unipolar				Torque Speed- curve
	Holding Torque [Nm]	Current/ Phase [A]	Resistance/ Phase [Ohm]	Inductance/ Phase [mH]	Holding Torque [Nm]	Current/ Phase [A]	Resistance/ Phase [Ohm]	Inductance/ Phase [mH]	Holding Torque [Nm]	Current/ Phase [A]	Resistance/ Phase [Ohm]	Inductance/ Phase [mH]	
HECM267-E2.4 (A/B)	2.35	3.5	0.75	3.1	2.35	1.75	3.0	12.4	1.75	2.45	1.5	3.1	C1
HECM267-E3.0 (A/B)	2.35	4.2	0.5*	2.0	2.35	2.1	2.0*	8.0	1.75	3.0	1.0*	2.0	C2

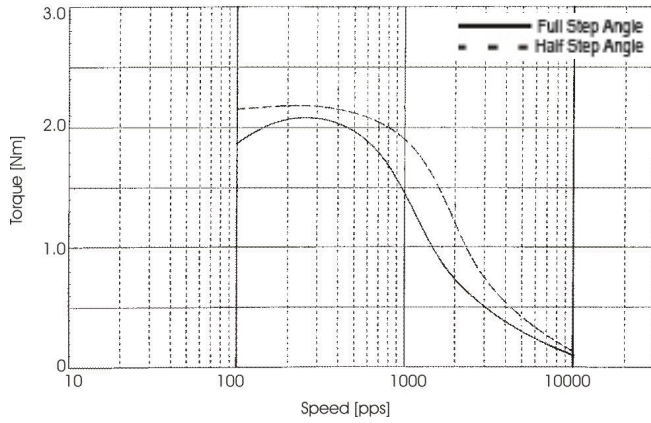
Number of Leads	Weight of Motor	Size Length	Rotor Inertia
8	1.1 kg	60 x 60 x 65 mm	570 x 10 ⁻⁷ kgm ²

Resistance / Phase (Ω) = ± 10%, (* ± 15%), Inductance / Phase (mH) = ± 20%

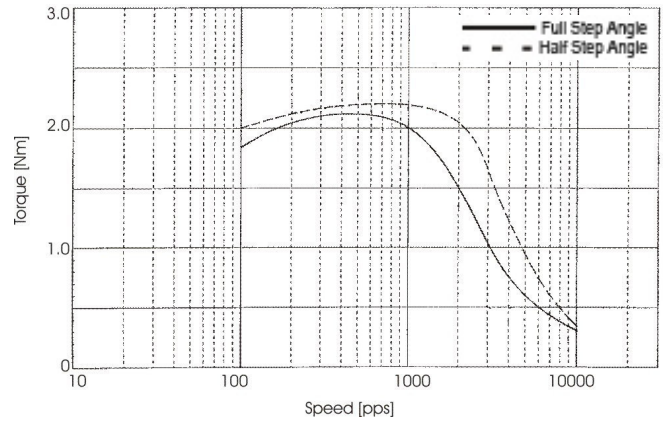


Planetary Gears are optionally available

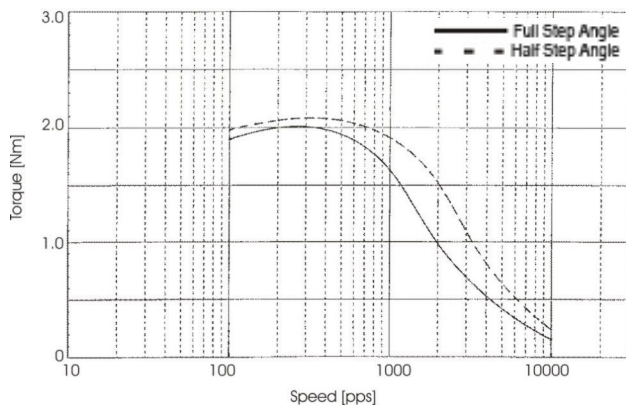
(C1) Motor: HECM267-E2.4A/B
Driver: ECMD288.000 (24V; 3.5A)



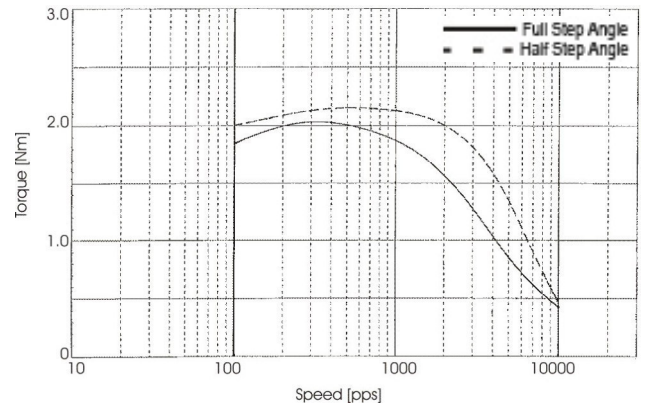
(C1) Motor: HECM267-E2.4A/B
Driver: ECMD288.000 (48V; 3.5A)



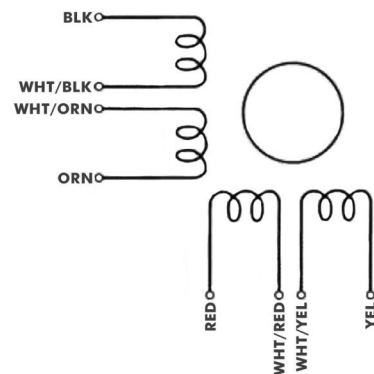
(C2) Motor: HECM267-E3.0A/B
Driver: ECMD288.000 (24V; 4.2A)



(C2) Motor: HECM267-E3.0A/B
Driver: ECMD288.000 (48V; 4.2A)



LEAD No.	LEAD COLOR
1	ORANGE
2	BLACK / WHITE
3	RED / WHITE
4	YELLOW
5	BLACK
6	ORANGE / WHITE
7	YELLOW / WHITE
8	RED



EC MOTION

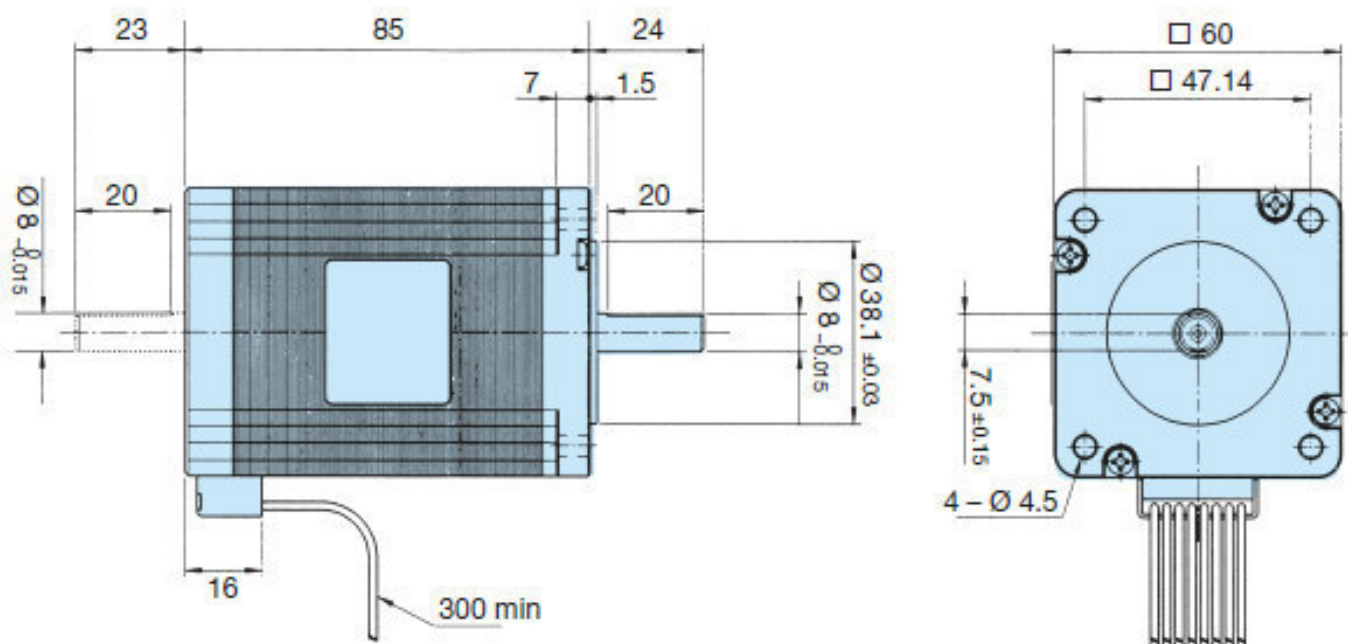


HECM269... Series 2-Phase Step Motor [1.8° High-Torque-Version]

Model A = Single Shaft B = Double Shaft	● Bipolar Parallel				● Bipolar Serial				● Unipolar				Torque Speed- curve
	Holding Torque [Nm]	Current/ Phase [A]	Resistance/ Phase [Ohm]	Inductance/ Phase [mH]	Holding Torque [Nm]	Current/ Phase [A]	Resistance/ Phase [Ohm]	Inductance/ Phase [mH]	Holding Torque [Nm]	Current/ Phase [A]	Resistance/ Phase [Ohm]	Inductance/ Phase [mH]	
HECM269-E2.4 (A/B)	3.30	3.5	1.0	5.0	3.30	1.75	4.0	20.0	2.45	2.45	2.0	5.0	(D1)
HECM269-E3.0 (A/B)	3.30	4.2	0.65*	3.2	3.30	2.1	2.6*	12.8	2.45	3.0	1.3*	3.2	(D2)

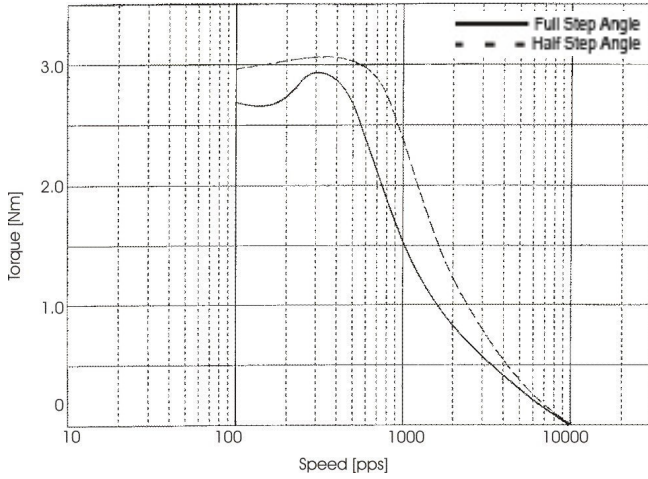
Number of Leads	Weight of Motor	Size Length	Rotor Inertia
8	1.45 kg	60 x 60 x 85 mm	900 x 10 ⁻⁷ kgm ²

Resistance / Phase (Ω) = $\pm 10\%$, (* $\pm 15\%$), Inductance / Phase (mH) = $\pm 20\%$

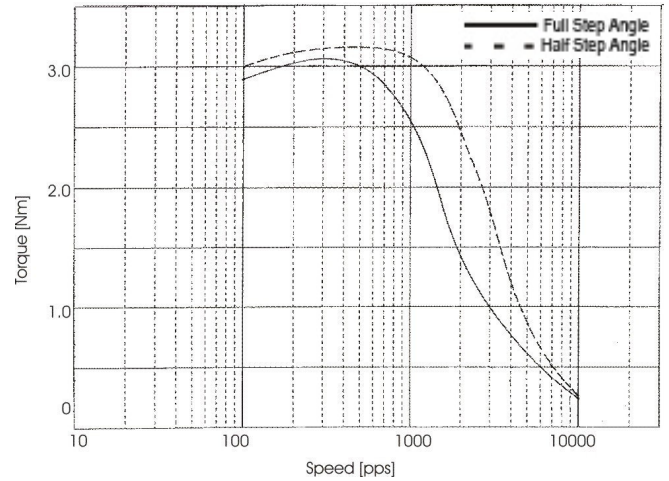


Planetary Gears are optionally available

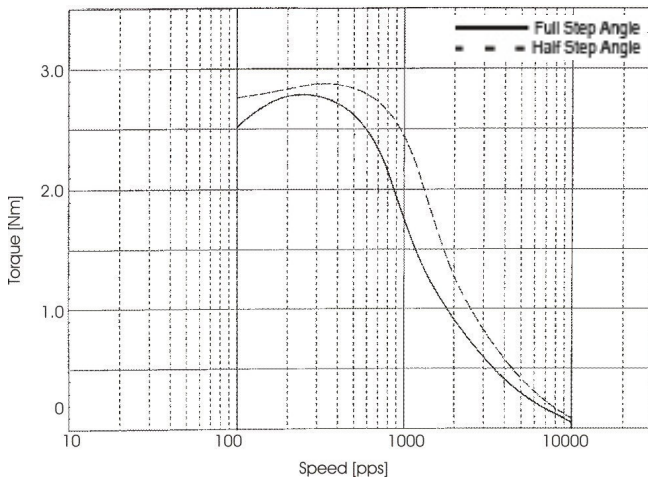
(D1) Motor: HECM269-E2.4A/B
Driver: ECMD288.000 (24V; 3.5A)



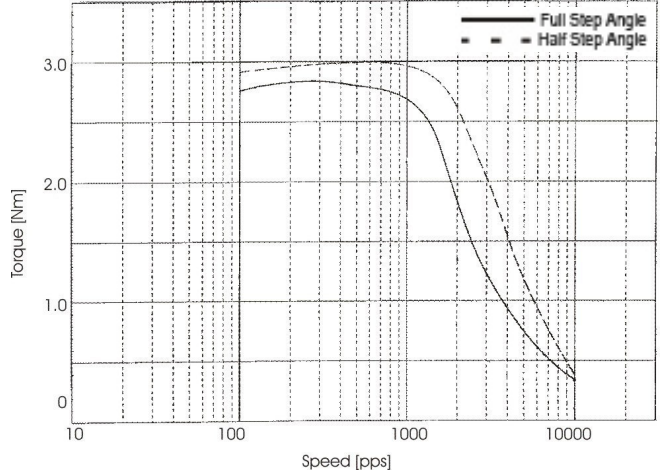
(D1) Motor: HECM269-E2.4A/B
Driver: ECMD288.000 (48V; 3.5A)



(D2) Motor: HECM269-E3.0A/B
Driver: ECMD288.000 (24V; 4.2A)



(D2) Motor: HECM269-E3.0A/B
Driver: ECMD288.000 (48V; 4.2A)



LEAD No.	LEAD COLOR
1	ORANGE
2	BLACK / WHITE
3	RED / WHITE
4	YELLOW
5	BLACK
6	ORANGE / WHITE
7	YELLOW / WHITE
8	RED

