

Disc Couplings

CL3 Miniature Series

- Zero backlash, flexible shaft
- Excellent response, high torque capacity
- Identical clockwise and counterclockwise rotation
- Plate springs absorb angular misalignment and shaft endplay
- Single disc and double disc units available
- Multiple bore and shaft configurations



Single Disc



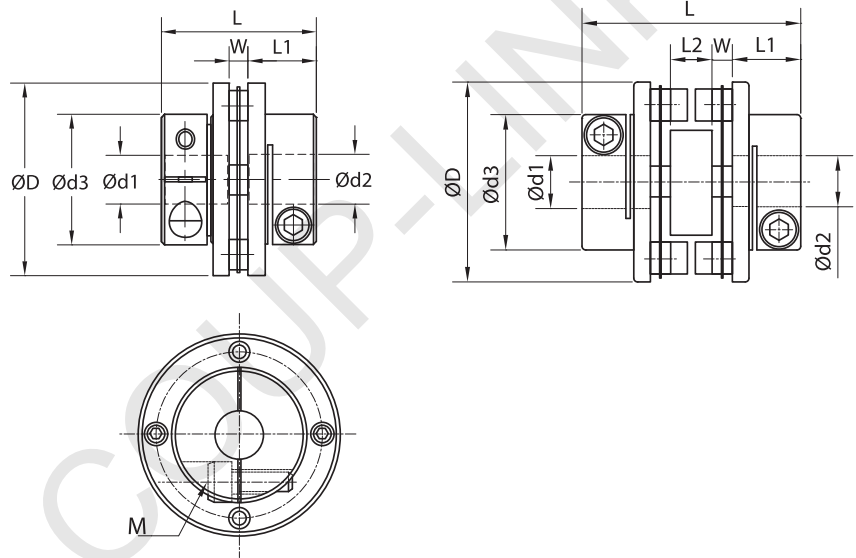
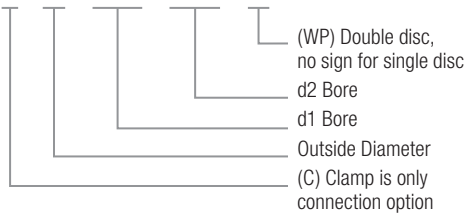
Double Disc

CL3 OPTIONS

- Aluminum 6061
- Stainless Steel Plate Springs
- Single Disc
- Double Disc
- Clamp

ORDERING INFORMATION

CL3 - C - □ - □ - □ - □ - □ - □



CL3 SINGLE AND DOUBLE DISC DIMENSIONS

Model	Bore Range (Ød1-Ød2)		ØD	L		Ød3	W	L1	L2	M	Wrench Torque
	Single and Double Disc			Single Disc	Double Disc						
	in	mm	mm	mm	mm	mm	mm	mm	mm	metric	Nm
CL3-C34	0.23-0.35	6-9	34	27	37	21.6	3	12	7	M3	1.5
CL3-C44	0.39-0.55	10-14	44	34	47	29.6	4	15	9	M4	3.4
CL3-C56	0.55-0.78	14-20	56	45	61	38	5	20	11	M5	7
CL3-C68	0.59-0.98	15-25	68	54	74	46	6	24	14	M6	14
CL3-C82	0.78-1.18	20-30	82	68	98	56	8	30	22	M8	25

CL3 SINGLE AND DOUBLE DISC SPECIFICATIONS

Model	Rated Torque		Max. Torque		Max. Speed	Moment of Inertia (kg•m ²)		Static Torsional Stiffness (Nm/rad)		Errors of Eccentricity (mm)	Errors of Shaft Angularity (°C)		Errors of Shaft Endplay (mm)		Mass (g)	
	lb-in	Nm	lb-in	Nm		rpm	Single Disc	Double Disc	Single Disc		Double Disc	Double Disc	Single Disc	Double Disc	Single Disc	Double Disc
CL3-C34	24.78	2.8	49.56	5.6	6000	3.8x10 ⁻⁶	6.5x10 ⁻⁶	1500	1300	0.02	1	2	± 0.15	± 0.3	38	46
CL3-C44	76.99	8.7	153.99	17.4	6000	14.5x10 ⁻⁶	25.4x10 ⁻⁶	3000	2800	0.02	1	2	± 0.15	± 0.3	84	98
CL3-C56	221.25	25.0	442.50	50.0	6000	48.5x10 ⁻⁶	82.5x10 ⁻⁶	4200	4000	0.02	1	2	± 0.15	± 0.3	132	194
CL3-C68	486.75	55.0	973.50	110.0	6000	126x10 ⁻⁶	225x10 ⁻⁶	6500	6200	0.02	1	2	± 0.15	± 0.3	232	376
CL3-C82	708.00	80.0	1416.00	160.0	6000	565x10 ⁻⁶	985x10 ⁻⁶	8600	8300	0.02	1	2	± 0.15	± 0.3	420	640

Disc Couplings

CL5 Series



Single Disc



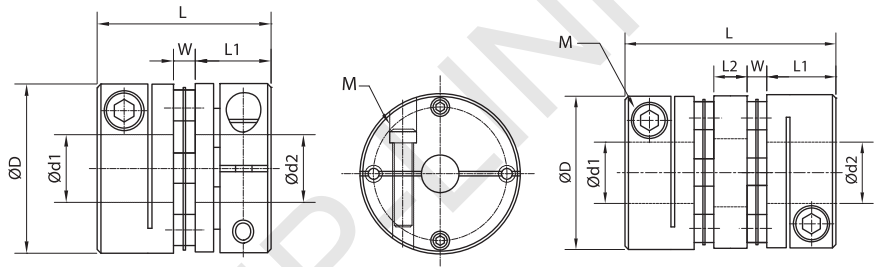
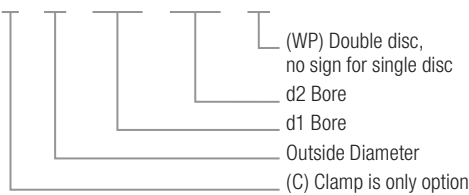
Double Disc

CL5 OPTIONS

- Aluminum 6061
- Stainless Steel Plate Springs
- Single Disc
- Double Disc
- Clamp

ORDERING INFORMATION

CL5 - C - □ - □ - □ - □ - □ - □



CL5 SINGLE AND DOUBLE DISC DIMENSIONS

Model	Bore Range (Ød1-Ød2)		ØD	L		W	L1	L2	M	Wrench Torque			
	Single and Double Disc			Single Disc	Double Disc						Single and Double Disc	Double Disc	Single and Double Disc
	in	mm		mm	mm						mm	mm	metric
CL5-C19	0.11-0.31	3-8	19	20	27	1.2	9.4	5.8	M2.5	1			
CL5-C26	0.19-0.39	5-10	26	25.5	35	2.5	11.5	7	M3	1.5			
CL5-C34	0.31-0.55	8-14	34	31.3	45	3.1	14.1	10.6	M4	1.5			
CL5-C39	0.39-0.62	10-16	39	34.1	49	4.1	15	10.8	M4	2.5			
CL5-C44	0.43-0.75	11-19	44	34.5	50	4.5	15	11	M4	2.5			
CL5-C56	0.55-0.94	14-24	56	45	63	5	20	13	M5	7			
CL5-C68	0.74-1.37	19-35	68	54	74	6	24	14	M6	12			
CL5-C82	0.94-1.57	24-40	82	68	98	8	30	22	M8	16			
CL5-C94	0.98-1.57	25-40	94	68	98	8	30	22	M8	28			
CL5-C104	1.18-1.77	30-45	104	70	102	10	30	22	M8	28			

CL5 SINGLE AND DOUBLE DISC SPECIFICATIONS

Model	Rated Torque		Max. Torque		Max. Speed	Moment of Inertia (kg•m ²)		Static Torsional Stiffness (Nm/rad)		Errors of Eccentricity (mm)	Errors of Shaft Angularity (°C)		Errors of Shaft Endplay (mm)		Mass (g)	
	lb-in	Nm	lb-in	Nm		rpm	Single Disc	Double Disc	Single Disc		Double Disc	Double Disc	Single Disc	Double Disc	Single Disc	Double Disc
CL5-C19	8.85	1.0	17.70	2.0	10000	0.65x10 ⁻⁶	0.9x10 ⁻⁶	200	170	0.04	1	1.5	± 0.2	± 0.4	12	16
CL5-C26	12.39	1.4	24.78	2.8	10000	1.8x10 ⁻⁶	3.3x10 ⁻⁶	690	950	0.04	1	1.5	± 0.2	± 0.4	24	34
CL5-C34	24.78	2.8	49.56	5.6	10000	7.2x10 ⁻⁶	8.9x10 ⁻⁶	1650	1960	0.04	1	1.5	± 0.2	± 0.4	46	70
CL5-C39	51.33	5.8	102.66	11.6	10000	1.8x10 ⁻⁵	2.4x10 ⁻⁵	2500	4500	0.04	1	1.5	± 0.2	± 0.4	78	118
CL5-C44	76.99	8.7	153.99	17.4	10000	2.5x10 ⁻⁵	3.2x10 ⁻⁵	2900	5100	0.04	1	1.5	± 0.2	± 0.4	96	142
CL5-C56	221.25	25.0	442.50	50.0	10000	1.0x10 ⁻⁴	1.1x10 ⁻⁴	8400	10500	0.04	1	1.5	± 0.2	± 0.4	206	296
CL5-C68	486.75	55.0	973.50	110.0	10000	1.9x10 ⁻⁴	2.8x10 ⁻⁴	11500	18500	0.04	1	1.5	± 0.2	± 0.4	366	544
CL5-C82	708.00	80.0	1416.00	160.0	10000	7.0x10 ⁻⁴	1.0x10 ⁻³	14550	21800	0.04	1	1.5	± 0.2	± 0.4	710	1020
CL5-C94	1637.25	185.0	3274.50	370.0	10000	1.23x10 ⁻³	1.76x10 ⁻³	16900	84500	0.04	1	1.5	± 0.2	± 0.4	960	1210
CL5-C104	2256.75	255.0	4513.50	510.0	10000	1.86x10 ⁻³	1.86x10 ⁻³	25100	125500	0.04	1	1.5	± 0.2	± 0.4	1190	1460

Disc Couplings

CL9 Heavy Duty Series



Single Disc



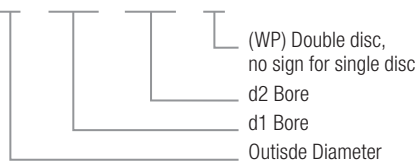
Double Disc

CL9 OPTIONS

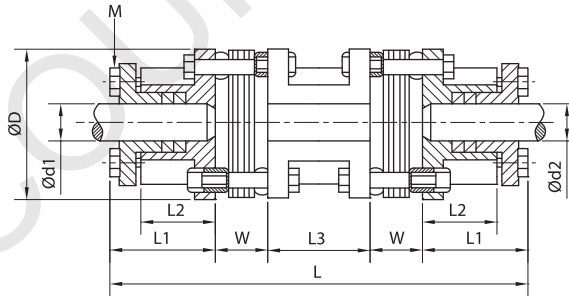
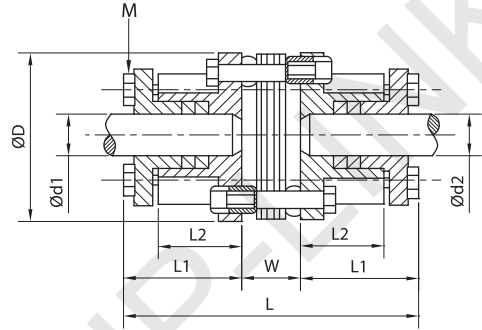
- Steel Body
- Stainless Steel Plate Springs
- Single Disc
- Double Disc
- Locking Assembly

ORDERING INFORMATION

CL9 - □ - □ - □ - □ - □



* CL9 hubs can be matched with CL11 hubs



CL9 SINGLE AND DOUBLE DISC DIMENSIONS

Model	Bore Range (Ød1-Ød2)		ØD	L		W	L1	L2	L3	M	Wrench Torque
	Single and Double Disc			Single Disc	Double Disc						
	in	mm	mm	mm	mm	mm	mm	mm	mm	metric	Nm
CL9-68	0.43-0.86	11-22	68	90	121	7	41.5	26	24	M5 (4)	4
CL9-82	0.55-1.18	14-30	82	95	128	7	44	26	26	M6 (4)	7
CL9-94	0.74-1.37	19-35	94	110	148	8	51	29	30	M6 (4)	7
CL9-104	0.94-1.57	24-40	104	124	164	10	57	34	30	M6 (6)	7
CL9-126	1.18-1.96	30-50	126	152	201	11	70.5	42	38	M8 (4)	15
CL9-144	1.37-2.28	35-58	144	170	228	12	79	48	46	M8 (6)	15

CL9 SINGLE AND DOUBLE DISC SPECIFICATIONS

Model	Rated Torque		Max. Torque		Max. Speed	Moment of Inertia (kg·m ²)		Static Torsional Stiffness (Nm/rad)		Errors of Eccentricity (mm)		Errors of Shaft Angularity (°C)		Errors of Shaft Endplay (mm)		Mass (g)	
	lb-in	Nm	lb-in	Nm		rpm	Single Disc	Double Disc	Single Disc	Double Disc	Single Disc	Double Disc	Single Disc	Double Disc	Single Disc	Double Disc	Single Disc
CL9-68	486.75	55.0	973.50	110.0	4500	0.39x10 ⁻³	0.71x10 ⁻³	31x10 ³	15x10 ³	0.02	0.04	1	2	± 1	± 1.5	550	1078
CL9-82	708.00	80.0	1416.00	160.0	4500	0.96x10 ⁻³	1.85x10 ⁻³	89x10 ³	44x10 ³	0.02	0.04	1	2	± 1	± 1.5	1100	1870
CL9-94	1327.50	150.0	2655.00	300.0	4500	1.85x10 ⁻³	3.625x10 ⁻³	180x10 ³	90x10 ³	0.02	0.04	1	2	± 1	± 1.5	1540	2640
CL9-104	1947.00	220.0	3894.00	440.0	4500	2.96x10 ⁻³	5.8x10 ⁻³	265x10 ³	130x10 ³	0.02	0.04	1	2	± 1	± 1.5	2310	4630
CL9-126	3097.50	350.0	6195.00	700.0	4500	7.1x10 ⁻³	13.1x10 ⁻³	450x10 ³	220x10 ³	0.02	0.04	1	2	± 1	± 1.5	3740	6380
CL9-144	4425.00	500.0	8850.00	1000.0	4500	14.3x10 ⁻³	26.5x10 ⁻³	790x10 ³	380x10 ³	0.02	0.04	1	2	± 1	± 1.5	5390	9460



Single Disc

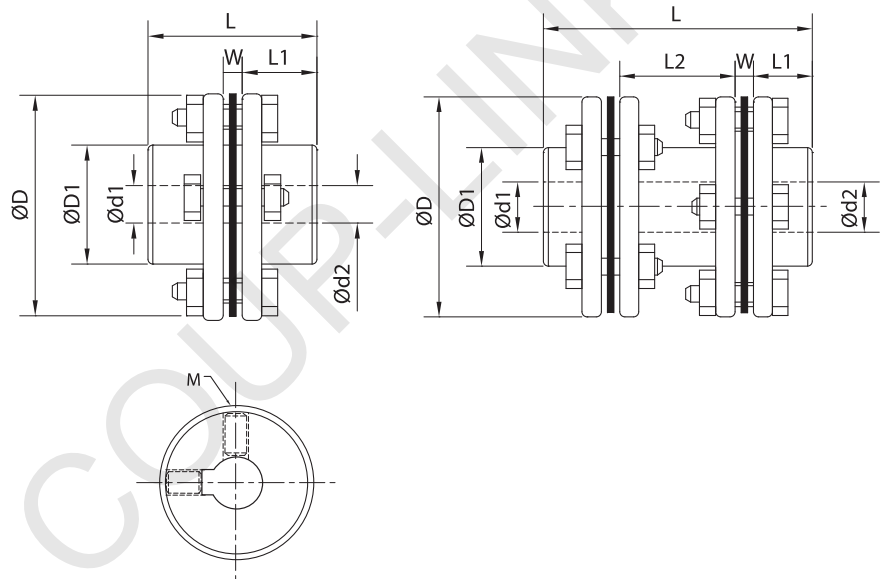
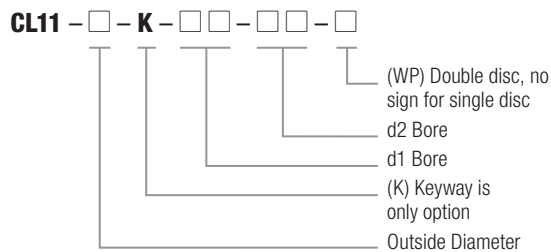


Double Disc

CL11 OPTIONS

- Steel Body
- Stainless Steel Plate Springs
- Single Disc
- Double Disc
- Keyway

ORDERING INFORMATION



CL11 SINGLE AND DOUBLE DISC DIMENSIONS

Model	Bore Range (Ød1-Ød2)		ØD	ØD1	L		W	L2	M	
	Single and Double Disc				Single Disc	Double Disc				Single and Double Disc
	in	mm	mm	mm	mm	mm	mm	mm	metric	
CL11-56K	0.31-0.78	8-20	56	32	45	74	20	5	24	M5
CL11-68K	0.43-0.98	11-25	68	40	56	86	25	6	24	M6
CL11-82K	0.55-1.37	14-35	82	54	66	98	30	6	26	M6
CL11-94K	0.55-1.49	14-38	94	58	68	106	30	8	30	M8
CL11-104K	0.74-1.65	19-42	104	68	80	120	35	10	30	M8
CL11-126K	0.86-1.96	22-50	126	78	91	140	40	11	38	M10
CL11-144K	1.18-2.36	30-60	144	88	102	160	45	12	46	M12
CL11-152K	1.77-2.95	45-75	152	104	102	184	45	12	70	M8
CL11-178K	1.88-3.15	48-80	178	118	124	218	55	14	80	M10
CL11-190K	2.36-3.34	60-85	190	126	145	260	65	15	100	M12
CL11-210K	2.55-3.54	65-90	210	130	165	290	75	15	110	M16
CL11-225K	2.75-3.93	70-100	225	144	200	335	90	20	115	M16
CL11-262K	3.14-4.52	80-115	262	166	223	391	100	23	145	M20

Disc Couplings

CL11 Heavy Duty Series

CL11 SINGLE AND DOUBLE DISC SPECIFICATIONS

Model	Rated Torque		Max. Torque		Max. Speed (rpm)	Moment of Inertia (kg·m ²)		Static Torsional Stiffness (Nm/rad)		Errors of Eccentricity (mm)		Errors of Shaft Angularity (°C)		Errors of Shaft Endplay (mm)		Mass (g)	
	lb-in	Nm	lb-in	Nm		Single	Double	Single	Double	Single	Double	Single	Double	Single	Double	Single	Double
CL11-56K	221.25	25.0	442.50	50.0	20000 15000	0.1x10 ⁻³	0.19x10 ⁻³	15x10 ³	7.5x10 ³	0.02	0.04	1	1.5	± 0.3	± 0.6	300	500
CL11-68K	486.75	55.0	973.50	110.0	15000 14000	0.28x10 ⁻³	0.54x10 ⁻³	28x10 ³	13x10 ³	0.02	0.04	1	1.5	± 0.3	± 0.6	500	900
CL11-82K	708.00	80.0	1416.00	160.0	14000 11000	0.85x10 ⁻³	1.6x10 ⁻³	81x10 ³	39x10 ³	0.02	0.04	1	1.5	± 0.3	± 0.6	1000	1700
CL11-94K	1504.50	170.0	3009.00	340.0	11000 9500	1.5x10 ⁻³	2.8x10 ⁻³	165x10 ³	78x10 ³	0.02	0.04	1	1.5	± 0.3	± 0.6	1400	2400
CL11-104K	2124.00	240.0	4248.00	480.0	9800 8800	2.4x10 ⁻³	4.6x10 ⁻³	240x10 ³	115x10 ³	0.02	0.04	1	1.5	± 0.4	± 0.6	2100	3300
CL11-126K	3717.00	420.0	7434.00	840.0	8000 6800	6.3x10 ⁻³	11.9x10 ⁻³	410x10 ³	200x10 ³	0.02	0.04	1	1.5	± 0.4	± 0.8	3400	5800
CL11-144K	6195.00	700.0	12390.00	1400.0	6800 6000	9.2x10 ⁻³	18.2x10 ⁻³	760x10 ³	350x10 ³	0.02	0.04	1	1.5	± 0.4	± 0.8	4900	8600
CL11-152K	7080.00	800.0	14160.00	1600.0	5800	11.0x10 ⁻³	21.5x10 ⁻³	836x10 ³	750x10 ³	0.03	0.06	1	2	± 0.4	± 0.8	5300	7600
CL11-178K	11505.00	1300.0	23010.00	2600.0	5100	27.9x10 ⁻³	46.5x10 ⁻³	1065x10 ³	1420x10 ³	0.03	0.06	1	2	± 0.5	± 1	7150	1100
CL11-190K	17700.00	2000.0	35400.00	4000.0	4700	45.8x10 ⁻³	76.3x10 ⁻³	1150x10 ³	1690x10 ³	0.03	0.06	1	2	± 0.5	± 1	12000	16000
CL11-210K	34515.00	3900.0	67260.00	7600.0	4300	73.8x10 ⁻³	122x10 ⁻³	1520x10 ³	2340x10 ³	0.03	0.06	1	2	± 0.6	± 1.2	14500	22000
CL11-225K	43365.00	4900.0	86730.00	9800.0	4000	114x10 ⁻³	175x10 ⁻³	1930x10 ³	2970x10 ³	0.03	0.06	1	2	± 0.6	± 1.2	18200	28000
CL11-262K	69915.00	7900.0	139830.00	15800.0	3400	266x10 ⁻³	410x10 ⁻³	3500x10 ³	5390x10 ³	0.03	0.06	1	2	± 0.7	± 1.4	30000	46000

Disc Couplings

CL15 Heavy Duty Series



Single Disc



Double Disc Long

CL15 OPTIONS

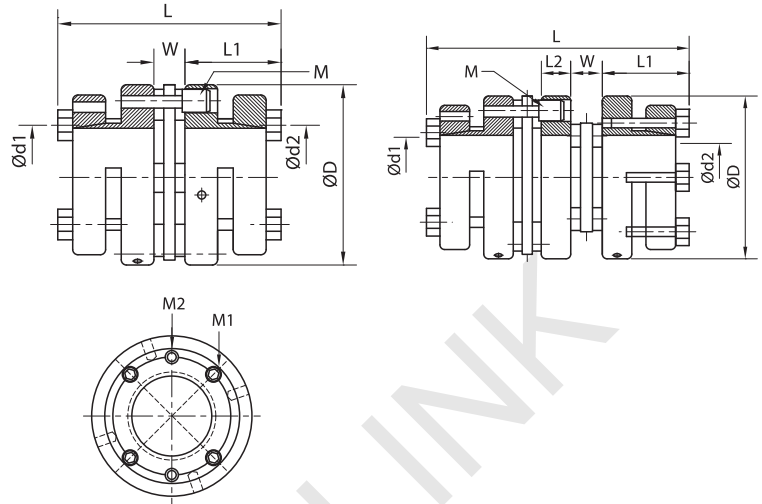
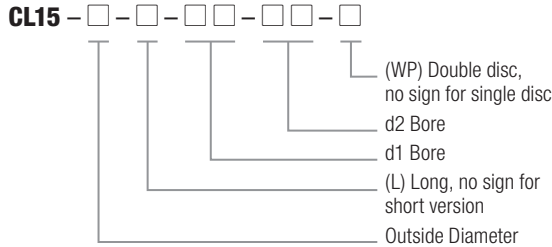
- Steel Body
- Stainless Steel Plate Springs
- Short Version
- Long Version
- Single Disc
- Double Disc
- Locking Assembly

*Long version CL15-70L to -144L

Disc Couplings

CL15 Heavy Duty Series

ORDERING INFORMATION



* Long version not available for size 56

CL15 SINGLE AND DOUBLE DISC DIMENSIONS

Model	Bore Range (Ød1-Ød2)		ØD	L		L1	L2	W	M	M1	M2
	Single and Double Disc			Single	Double	Single and Double	Double Disc				
	in	mm	mm	mm	mm	mm	mm	mm	metric	metric	metric
CL15-56	0.55-0.94	14-24	56	65	80	29	8	7	M5	4-M5	2-M5
CL15-70	0.94-1.38	24-35	70	65	80	29	8	7	M6	4-M6	2-M6
CL15-70L	0.70-1.38	18-35	70	90	105	41.5	8	7	M6	4-M6	2-M6
CL15-80	0.70-1.38	18-35	80	70	88	31	10	8	M8	4-M6	2-M6
CL15-80L	0.70-1.38	18-35	80	95	113	43.5	10	8	M8	4-M6	2-M6
CL15-90	1.10-1.89	28-48	90	70	83	31	10	8	M8	6-M6	3-M6
CL15-90L	1.10-1.89	28-48	90	110	129	50.5	10	9	M8	6-M6	3-M6
CL15-100	1.25-2.36	32-60	100	70	88	31	10	8	M8	6-M6	3-M6
CL15-100L	1.25-2.36	32-60	100	124	144	57	10	10	M8	6-M6	3-M6
CL15-126	1.49-2.56	38-65	126	82	107	35.5	14	11	M10	6-M6	3-M6
CL15-126L	1.49-2.56	38-65	126	152	177	70.5	14	11	M10	6-M6	3-M6
CL15-144	1.77-2.95	45-75	144	96	122	42	14	12	M12	6-M8	3-M8
CL15-144L	1.77-2.95	45-75	144	170	196	79	14	12	M12	6-M8	3-M8

CL15 SINGLE AND DOUBLE DISC SPECIFICATIONS

Model	Rated Torque		Max. Torque		Max. Speed (rpm)		Moment of Inertia (kg·m ²)		Static Torsional Stiffness (Nm/rad)		Errors of Eccentricity (mm)		Errors of Shaft Angularity (°C)		Errors of Shaft Endplay (mm)		Mass (g)	
	lb-in	Nm	lb-in	Nm	Single Disc	Double Disc	Single Disc	Double Disc	Single Disc	Double Disc	Single Disc	Double Disc	Single Disc	Double Disc	Single Disc	Double Disc	Single Disc	Double Disc
CL15-56	442.50	50.0	885.00	100.0	18000	15000	0.42x10 ⁻³	0.61x10 ⁻³	41x10 ³	22x10 ³	0.02	0.02	0.5	1	± 0.5	± 1	680	780
CL15-70	619.50	70.0	1239.00	140.0	17000	13000	0.65x10 ⁻³	0.81x10 ⁻³	58x10 ³	30x10 ³	0.02	0.02	0.5	1	± 0.5	± 1	950	1150
CL15-70L	619.50	70.0	1239.00	140.0	17000	13000	0.75x10 ⁻³	0.93x10 ⁻³	67x10 ³	34x10 ³	0.02	0.02	0.5	1	± 0.5	± 1	1026	1242
CL15-80	1106.30	125.0	2212.50	250.0	16000	11000	1.0x10 ⁻³	1.32x10 ⁻³	62x10 ³	32x10 ³	0.02	0.03	0.5	1	± 0.5	± 1	1240	1580
CL15-80L	1106.30	125.0	2212.50	250.0	16000	11000	1.15x10 ⁻³	1.52x10 ⁻³	71x10 ³	37x10 ³	0.02	0.03	0.5	1	± 0.5	± 1	1340	1738
CL15-90	1593.00	180.0	3186.00	360.0	14000	10000	2.0x10 ⁻³	2.56x10 ⁻³	140x10 ³	68x10 ³	0.02	0.03	0.5	1	± 0.5	± 1	1650	1980
CL15-90L	1593.00	180.0	3186.00	360.0	14000	10000	2.3x10 ⁻³	2.95x10 ⁻³	160x10 ³	78x10 ³	0.02	0.03	0.5	1	± 0.5	± 1	1782	2178
CL15-100	2478.00	280.0	4956.00	560.0	12000	8000	2.95x10 ⁻³	3.68x10 ⁻³	160x10 ³	79x10 ³	0.02	0.03	0.5	1	± 0.5	± 1	1800	2260
CL15-100L	2478.00	280.0	4956.00	560.0	12000	8000	3.39x10 ⁻³	4.23x10 ⁻³	184x10 ³	91x10 ³	0.02	0.03	0.5	1	± 0.5	± 1	1945	2486
CL15-126	3982.50	450.0	7965.00	900.0	10000	10000	6.35x10 ⁻³	7.95x10 ⁻³	450x10 ³	216x10 ³	0.02	0.03	0.5	1	± 0.5	± 1	3300	4300
CL15-126L	3982.50	450.0	7965.00	900.0	10000	7000	7.3x10 ⁻³	9.14x10 ⁻³	517x10 ³	248x10 ³	0.02	0.03	0.5	1	± 0.5	± 1	3960	5160
CL15-144	6726.00	760.0	13452.00	1520.0	8000	8000	11.33x10 ⁻³	16.7x10 ⁻³	785x10 ³	380x10 ³	0.02	0.03	0.5	1	± 0.5	± 1	4500	6200
CL15-144L	6726.00	760.0	13452.00	1520.0	8000	6500	13x10 ⁻³	19.2x10 ⁻³	902x10 ³	437x10 ³	0.02	0.03	0.5	1	± 0.5	± 1	5400	7440

Disc Couplings

CL18 Economy Series



Single Disc



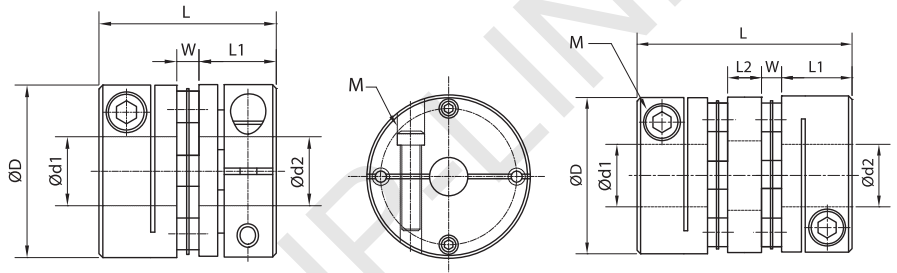
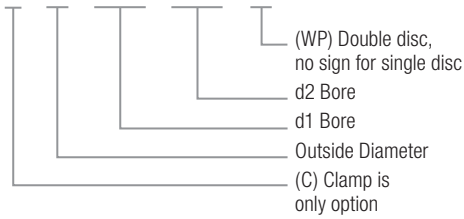
Double Disc

CL18 OPTIONS

- Aluminum Alloy
- Stainless Steel Plate Springs
- Single Disc
- Double Disc
- Clamp

ORDERING INFORMATION

CL18 - C - □ - □ - □ - □ - □ - □



CL18 SINGLE AND DOUBLE DISC DIMENSIONS

Model	Bore Range (Ød1-Ød2)		ØD	L		W	L1	L2	M	Wrench Torque
	Single and Double Disc			Single Disc	Double Disc					
	in	mm	mm	mm	mm	mm	mm	mm	metric	Nm
CL18-C26	0.19-0.39	5-10	26	25.5	35	2.5	11.5	7	M3	1.5
CL18-C34	0.31-0.55	8-14	34	31.1	45	3.1	14.1	10.6	M4	1.5
CL18-C39	0.39-0.63	10-16	39	34.1	49	4.1	15	10.8	M4	2.5
CL18-C44	0.43-0.75	11-19	44	34.5	50	4.5	15	11	M4	2.5
CL18-C56	0.55-0.94	14-24	56	45	63	5	20	13	M5	7
CL18-C68	0.74-1.38	19-35	68	54	74	6	24	14	M6	12
CL18-C82	0.94-1.57	24-40	82	68	98	8	30	22	M8	16
CL18-C94	0.98-1.57	25-40	94	68	98	8	30	22	M8	28
CL18-C104	1.18-1.77	30-45	104	70	102	10	30	22	M8	28

CL18 SINGLE AND DOUBLE DISC SPECIFICATIONS

Model	Rated Torque		Max. Torque		Max. Speed	Moment of Inertia (kg•m ²)		Static Torsional Stiffness (Nm/rad)		Errors of Eccentricity (mm)	Errors of Shaft Angularity (°C)		Errors of Shaft Endplay (mm)		Mass (g)	
	lb-in	Nm	lb-in	Nm		rpm	Single Disc	Double Disc	Single Disc		Double Disc	Double Disc	Single Disc	Double Disc	Single Disc	Double Disc
CL18-C26	12.39	1.4	24.78	2.8	10000	1.8x10 ⁻⁶	3.3x10 ⁻⁶	690	950	0.04	1	1.5	±0.2	±0.4	24	34
CL18-C34	24.78	2.8	49.56	5.6	10000	7.2x10 ⁻⁶	8.9x10 ⁻⁶	1650	1960	0.04	1	1.5	±0.2	±0.4	46	70
CL18-C39	51.33	5.8	102.66	11.6	10000	1.8x10 ⁻⁵	2.4x10 ⁻⁵	2500	4500	0.04	1	1.5	±0.2	±0.4	78	118
CL18-C44	76.99	8.7	153.99	17.4	10000	2.5x10 ⁻⁵	3.2x10 ⁻⁵	2900	5100	0.04	1	1.5	±0.2	±0.4	96	142
CL18-C56	221.25	25.0	442.50	50.0	10000	1.0x10 ⁻⁴	1.1x10 ⁻⁴	8400	10500	0.04	1	1.5	±0.2	±0.4	206	296
CL18-C68	486.75	55.0	973.50	110.0	10000	1.9x10 ⁻⁴	2.8x10 ⁻⁴	11500	18500	0.04	1	1.5	±0.2	±0.4	366	544
CL18-C82	708.00	80.0	1416.00	160.0	10000	7.0x10 ⁻⁴	1.0x10 ⁻³	14550	21800	0.04	1	1.5	±0.2	±0.4	710	1020
CL18-C94	1637.25	185.0	3274.50	370.0	10000	1.23x10 ⁻³	1.76x10 ⁻³	16900	84500	0.04	1	1.5	±0.2	±0.4	960	1210
CL18-C104	2256.75	255.0	4513.50	510.0	10000	1.86x10 ⁻³	1.86x10 ⁻³	25100	125500	0.04	1	1.5	±0.2	±0.4	1190	1460