

# MASTER PARTS BOOK





## Contact Information

For information regarding the purchase, operation or repair of your product contact Bricking Solutions at:

Toll Free 800-621-7856

Tel: +1-360-794-1277

Fax: +1-360-805-2521

Web: [Brickingsolutions.com](http://Brickingsolutions.com)

E-MAIL: [info@brickingsolutions.com](mailto:info@brickingsolutions.com)

Parts: [brickingsolutions.com](mailto:brickingsolutions.com) / [info@brickingsolutions.com](mailto:info@brickingsolutions.com)

Equipment Evaluation, Training and Warranty: Jeff Mirisola—[BBTechnicalservices@brickingsolutions.com](mailto:BBTechnicalservices@brickingsolutions.com)

We support all parts for 5 years.



## CONTENTS

### **Installation Equipment**

Shim Driver .....	1
Fingertip Keying Jack .....	1
Foot Trundle Keying Jack .....	3
Hand Pump Keying Jack .....	4
Radialign / Linometer.....	5
Muck-It-Bucket .....	6

### **EZ Flexx50 2017—Current Parts**

Master Valve .....	7
Cylinder Repair Kit .....	8
Blue Cylinders .....	9
Bleeder .....	11
Cylinder / Master Valve Hose .....	11
Lubricator Filter .....	11
Spacer Assembly .....	12
Hydraulic Lifting Jacks .....	12
Casters .....	12
Lights .....	12
Miscellaneous parts .....	12
Tools .....	13
Hardware .....	13
Oil .....	13
Fabricated / Aluminum components .....	14
Machine Label Set .....	14
Recommended Spare Parts Lists .....	15

### **Ez Flexx, MOR, EOR, POR—2016 and Earlier Parts**

Hoses .....	17
Hydraulic Jack .....	17
Discontinued Cylinder Adapter .....	17
Hardware .....	18

<b>Old Part Numbers to New Part Number Index.....</b>	<b>29</b>
---	-----------

### **ECOR / MECOR—Current Parts**

Valve System .....	19
Lubricator System .....	19
Hoses .....	20
Casters / Wheels .....	20
Gauge .....	20
Fittings.....	20
Cylinders .....	21
Spare Parts Lists.....	22

### **Basic Machine - 2010—2015**

Cylinders .....	23
Valve System .....	24
Master Valve .....	25
Lubricator System .....	25
Hoses .....	25
Spacer Assembly .....	26
Hydraulic Lifting Jacks .....	26
Casters .....	26
Lights .....	26
Miscellaneous parts .....	26

### **Conveyor Parts**

Parts .....	27
-------------	----

**1894—SHIM DRIVER, KIT**  
**PREVIOUS BBS # ASM900**

**1894—SHIM DRIVER, KIT**

1893	HOSE, ASSEMBLY, 10', 1/2 BARB-TITE HOSE, SHIM DRIVER
1887	AIR HAMMER, RD SHANK, RED, SHIM DRIVER GUN
1889	SHIM DRIVER HEAD, MACHINED STEEL
1890	SHANK, ROUND / ROUND, STEEL
AH301	QC COLLAR FOR SHIM DRIVER



**PART # DESCRIPTION**

1891	HOSE, 1/2 ID, BARB-TITE, BLUE
------	-------------------------------

1889

1890



1855



1821



**PART # DESCRIPTION**

1823	HOSE, 1/4" OD, BLUE, POLY
1824	HOSE, 1/4" OD, RED, POLY
1825	HOSE, 1/4" OD, YELLOW, POLY
1816	AIR HOSE, 3/8" ID, 21/32 OD, BLACK, PER FT
1855	ALARM, LOW AIR PRESSURE, 1/4 NPTM, BATTERY OPERATED
1821	FITTING, 1/2 NPTF, QUICK DISCONNECT, 1/2" COUPLING, STEEL, ZINC

# INSTALLATION EQUIPMENT



## 1796—KEYING JACK, FINGER TIP CONTROLLED, 10' LEAD, KIT PREVIOUS BBS # ASM800A



1796—KEYING JACK, FINGER TIP CONTROLLED, 10' LEAD, KIT	
1797	PUMP, AIR / HYDRAULIC, PENDENT CONTROLLED
1810	CYLINDER, 10 TON, 6" STROKE, 2.24 BORE (High Flow Coupler)
1865	MANIFOLD, ASSEMBLY, KEYING JACK, FINGER TIP CONTROLLED
1864	FOOT, KEYING JACK, ASSEMBLY, BLACK
1811	HOSE CLAMP, #28, STAINLESS STEEL, 1 1/4 - 1 5/8
1812	PIPE, 1 1/4 NPTM X 9", BLACK, SCHEDULE 80
1813	PIPE, 1 1/4 NPTM X 15", BLACK, SCHEDULE 80
1814	PIPE, 1 1/4 NPTM X 17", BLACK, SCHEDULE 80
1862	HOSE ASSEMBLY, KEYING JACK, SUPPLY HOSE, 2'
1861	HOSE ASSEMBLY, KEYING JACK, GAUGE HOSE, 10000 PSI
1857	HOSE ASSEMBLY, KEYING JACK, CONTROL LINE
1798	MANIFOLD, 3/8 NPTM-1/4 NPTF

**NOTE:** The 10 Ton Cylinder (1810) comes standard with a high flow coupler. If you have a keying jack purchased before 2014, your control hose (1857) may not be compatible with the new 10 ton cylinder. This will require the purchase of fitting 1947. It is the customer's responsibility to determine if their Keying jack is compatible with the new 10 Ton Cylinder (1810)

**1831—KEYING JACK, FOOT CONTROLLED, 10' LEAD, KIT**  
PREVIOUS BBS # ASM790



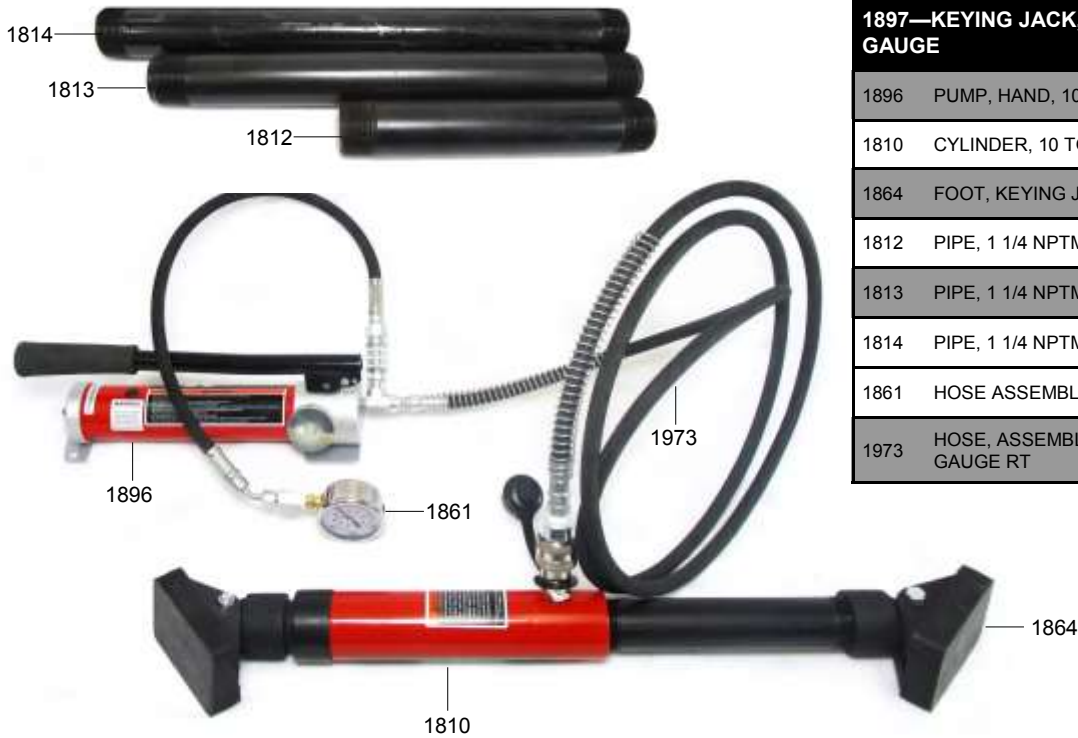
**1831- KEYING JACK, FOOT CONTROLLED, 10' LEAD, KIT**

1827	PUMP, FOOT TREADLE, 10,000 PSI, AIR / HYDRAULIC
1810	CYLINDER, 10 TON, 6" STROKE (High Flow Coupler)
1864	FOOT, KEYING JACK, ASSEMBLY, BLACK
1812	PIPE, 1 1/4 NPTM X 9", BLACK, SCHEDULE 80
1813	PIPE, 1 1/4 NPTM X 15", BLACK, SCHEDULE 80
1814	PIPE, 1 1/4 NPTM X 17", BLACK, SCHEDULE 80
1898	HOSE, 3/8 NPTM X 10', WITH 3/8 NPTF TO 3/8" HIGH FLOW COUPLER, 10,000 PSI
1861	HOSE ASSEMBLY, KEYING JACK, GAUGE HOSE, 10000 PSI
1863	HOSE ASSEMBLY, FOOT TRUNDLE KEYING JACK, SUPPLY HOSE, 6
1798	MANIFOLD, 3/8 NPTM-1/4 NPTF

**NOTE:** The 10 Ton Cylinder (1810) comes standard with a high flow coupler. If you have a keying jack purchased before 2014, your control hose (1857) may not be compatible with the new 10 ton cylinder. This will require the purchase of fitting 1947. It is the customer's responsibility to determine if their Keying jack is compatible with the new 10 Ton Cylinder (1810)



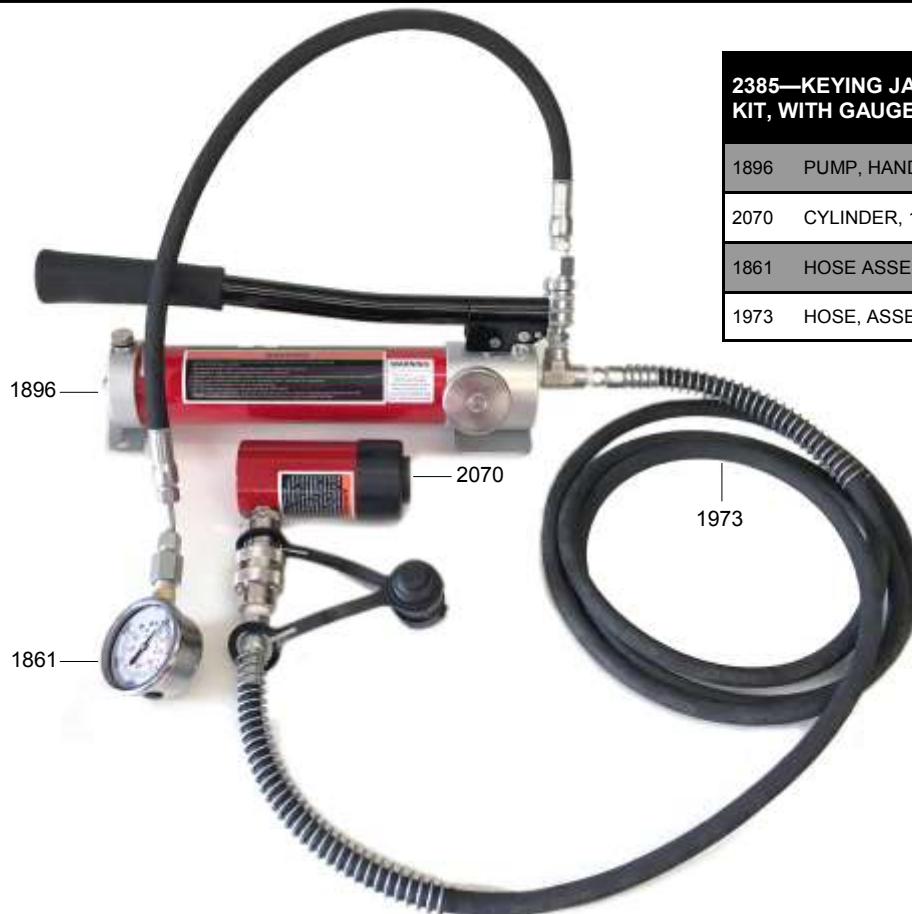
## 1897—KEYING JACK, HAND PUMP, 10' LEAD, KIT, WITH GAUGE



### 1897—KEYING JACK, HAND PUMP, 10' LEAD, KIT, WITH GAUGE

1896	PUMP, HAND, 10,000 PSI, 21CU INCH, RED
1810	CYLINDER, 10 TON, 6" STROKE, 2.24 BORE
1864	FOOT, KEYING JACK, ASSEMBLY, BLACK
1812	PIPE, 1 1/4 NPTM X 9", BLACK, SCHEDULE 80
1813	PIPE, 1 1/4 NPTM X 15", BLACK, SCHEDULE 80
1814	PIPE, 1 1/4 NPTM X 17", BLACK, SCHEDULE 80
1861	HOSE ASSEMBLY, KEYING JACK, GAUGE HOSE, 10000 PSI
1973	HOSE, ASSEMBLY, 10', HAND PUMP, HYDRAULIC, WITH GAUGE RT

## 2385—KEYING JACK, HAND PUMP 2 IN STROKE, 10 FT LEAD, KIT, WITH GAUGE



### 2385—KEYING JACK, HAND PUMP 2 IN STROKE, 10 FT LEAD, KIT, WITH GAUGE

1896	PUMP, HAND, 10,000 PSI, 21CU INCH, RED
2070	CYLINDER, 10 TON, HYDRAULIC, 2 IN STROKE, 2.24 BORE
1861	HOSE ASSEMBLY, KEYING JACK, GAUGE HOSE, 10000 PSI
1973	HOSE, ASSEMBLY, 10', HAND PUMP, HYDRAULIC, WITH GAUGE

## ASM999A—RADIALIGN LASER DEVICE

---



## LINOMETER—KILN LINING MEASURING DEVICE

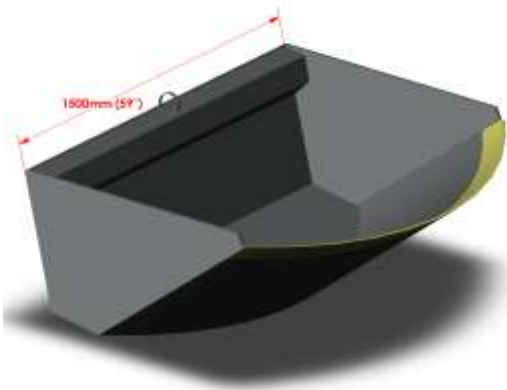
---





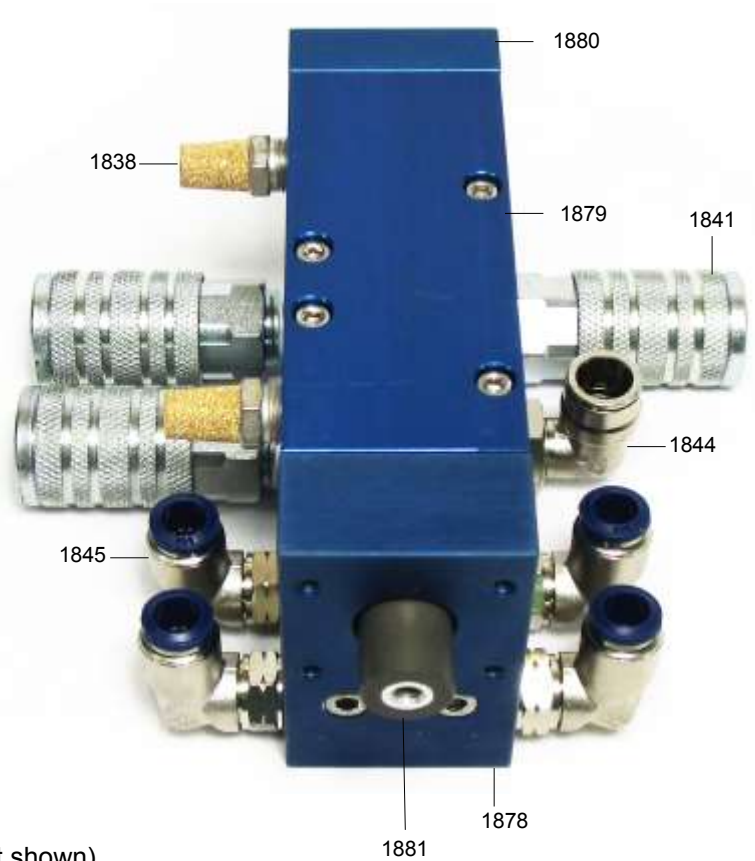
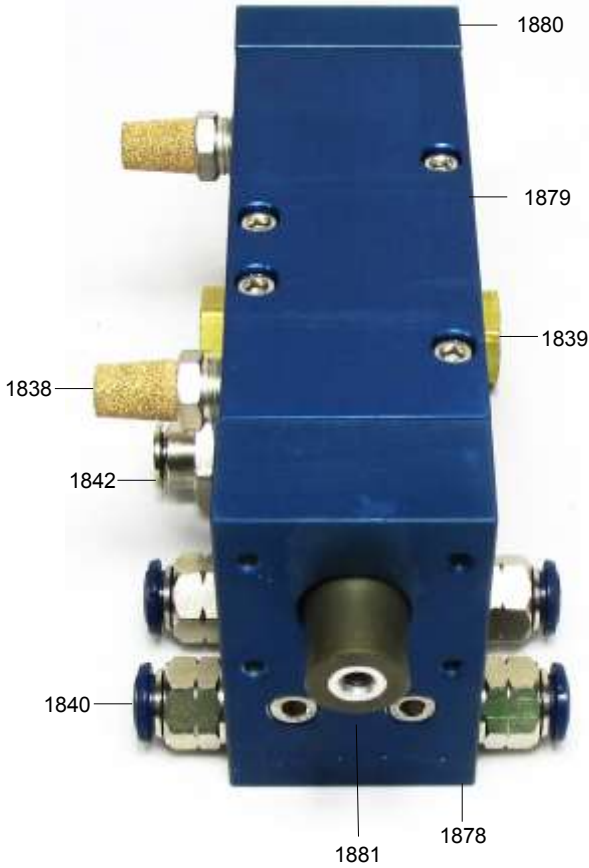


## MB734—MUCK-IT-BUCKET



**1885—MASTER VALVE, ASSEMBLY,  
PLACING ARCH, BLUE—PREVIOUS BBS # ASM463FS**

**1886—MASTER VALVE, ASSEMBLY,  
HOLDING ARCH, BLUE—PREVIOUS BBS # ASM463BS**



(Knob not shown)

**1885- MASTER VALVE, ASSEMBLY, PLACING ARCH, BLUE**

1878	MASTER VALVE, MANIFOLD, 3 WAY VALVE, BLUE
1879	MASTER VALVE, BODY, 3 WAY, BLUE
1880	MASTER VALVE, END CAP, BLUE
1881	MASTER VALVE, SHUTTLE, 3 WAY, HARD COAT CLEAR
1666	SCREW, SHC, 10-32 X 5/8, STAINLESS STEEL 18-8
1667	SCREW, SHC, 10-32 X 1, STAINLESS STEEL 18-8
1883	O-RING, MASTER VALVE, CUSTOM
1882	O-RING, -110, BUNA-N, .362ID X .103 CORD
1838	FITTING, MUFFLER, 1/4 NPTM
1839	FITTING, PLUG, 1/2 NPTM, HEX, BRASS
1840	FITTING, 3/8 UNPTM TO 3/8 HOSE, PUSH TO CONNECT, BRASS, NICKEL PLATED
1842	FITTING, 3/8 PUSH LOCK TO, 1/2 NPTM, ADAPTOR
1843	KNOB, 1/4-20 X 7/16, 1 3/8 OD, PVC, BLACK

**1886—MASTER VALVE, ASSEMBLY, HOLDING ARCH, BLUE**

1878	MASTER VALVE, MANIFOLD, 3 WAY VALVE, BLUE
1879	MASTER VALVE, BODY, 3 WAY, BLUE
1880	MASTER VALVE, END CAP, BLUE
1881	MASTER VALVE, SHUTTLE, 3 WAY, HARD COAT CLEAR
1666	SCREW, SHC, 10-32 X 5/8, STAINLESS STEEL 18-8
1667	SCREW, SHC, 10-32 X 1, STAINLESS STEEL 18-8
1883	O-RING, MASTER VALVE, CUSTOM
1882	O-RING, -110, BUNA-N, .362ID X .103 CORD
1838	FITTING, MUFFLER, 1/4 NPTM
1839	FITTING, PLUG, 1/2 NPTM, HEX, BRASS
1845	FITTING, 3/8 PUSH LOCK TO, 3/8 UNPTM, 90°, SWIVEL
1841	FITTING, INDUSTRIAL 1/2 QUICK CONNECT, FEMALE, TO 1/2 NPTM, STEEL
1843	KNOB, 1/4-20 X 7/16, 1 3/8 OD, PVC, BLACK
1844	FITTING, ELBOW , 1/2 NPTM - 1/2 TUBE, 90°, SWIVEL, BRASS, NICKEL



## MASTER VALVE



PART #	DESCRIPTION
1878	MASTER VALVE, MANIFOLD, 3 WAY VALVE, BLUE
1879	MASTER VALVE, BODY, 3 WAY, BLUE
1880	MASTER VALVE, END CAP, BLUE
1881	MASTER VALVE, SHUTTLE, 3 WAY, HARD COAT CLEAR
1883	O-RING, MASTER VALVE, CUSTOM
1882	O-RING, -110, BUNA-N, .362ID X .103 CORD
1918	KIT, MASTER VALVE, REBUILD, O-RING REPLACEMENT, BLUE
1843	KNOB, 1/4-20 X 7/16, 1 3/8 OD, PVC, BLACK
1667	SCREW, SHC, 10-32 X 1, STAINLESS STEEL 18-8
1666	SCREW, SHC, 10-32 X 5/8, STAINLESS STEEL 18-8



## 1928—KIT, ROTOR REPLACEMENT, VALVE IN BASE CYLINDER



1928—KIT, ROTOR REPLACEMENT, VALVE IN BASE CYLINDER	
1877	HANDLE, CYLINDER, STAINLESS STEEL, WITH BALL
1923	PIN, 1/8 X 3/4, STAINLESS STEEL 18-8
1924	SHAFT, ROTOR, VALVE BASE CYLINDER, STAINLESS STEEL
1925	WASHER, .313ID .637 OD X .067
1926	SPRING, .480 OD X .75 FREE, 146.9 LB/IN, ZINC
1791	ROTARY VALVE, CYLINDER, HDPE

## 1856—CYLINDER, ASSEMBLY, 40MM X 8.0", AL, BLUE, WITH FASTENERS AND HANDLE

PREVIOUS BSS # ASM4058S / ASM4058



### 1856—CYLINDER, ASSEMBLY, 40MM X 8.0", AL, BLUE, WITH FASTENERS AND HANDLE

1869	CYLINDER, 40MM X 8.0", VALVE IN BASE, AL BLUE
1870	BUMPER, 5.8 X 1.5 X 1.3, 65A DIR, ROD MOUNT
1872	ROD, ANTI TURN, 8" CYLINDER, STAINLESS STEEL
1873	RETAINING RING, EXTERNAL, .25 SHAFT, STEEL, BLACK PHOSPHATE
1874	BRACKET, ANTI TURN, ALUMINUM, BUMPER MOUNT
1875	BUSHING, ANTI TURN, STAINLESS STEEL 18-8, #10
1877	HANDLE, CYLINDER, STAINLESS STEEL, WITH BALL
1845	FITTING, 3/8 PUSH LOCK TO, 3/8 UNPTM, 90°, SWIVEL
1923	PIN, 1/8 X 3/4, STAINLESS STEEL 18-8
1924	SHAFT, ROTOR, VALVE BASE CYLINDER, STAINLESS STEEL
1925	WASHER, .313ID .637 OD X .067
1926	SPRING, .480 OD X .75 FREE, 146.9 LB/IN, ZINC
1791	ROTARY VALVE, CYLINDER, HDPE, ORANGE
1667	SCREW, SHC, 10-32 X 1
1867	SPACER, .3125OD X .375, .193ID, ALUMINUM
1666	SCREW, SHC, 10-32 X 5/8
1683	SCREW, SHC 10-32 X 1.5, STAINLESS STEEL 18-8

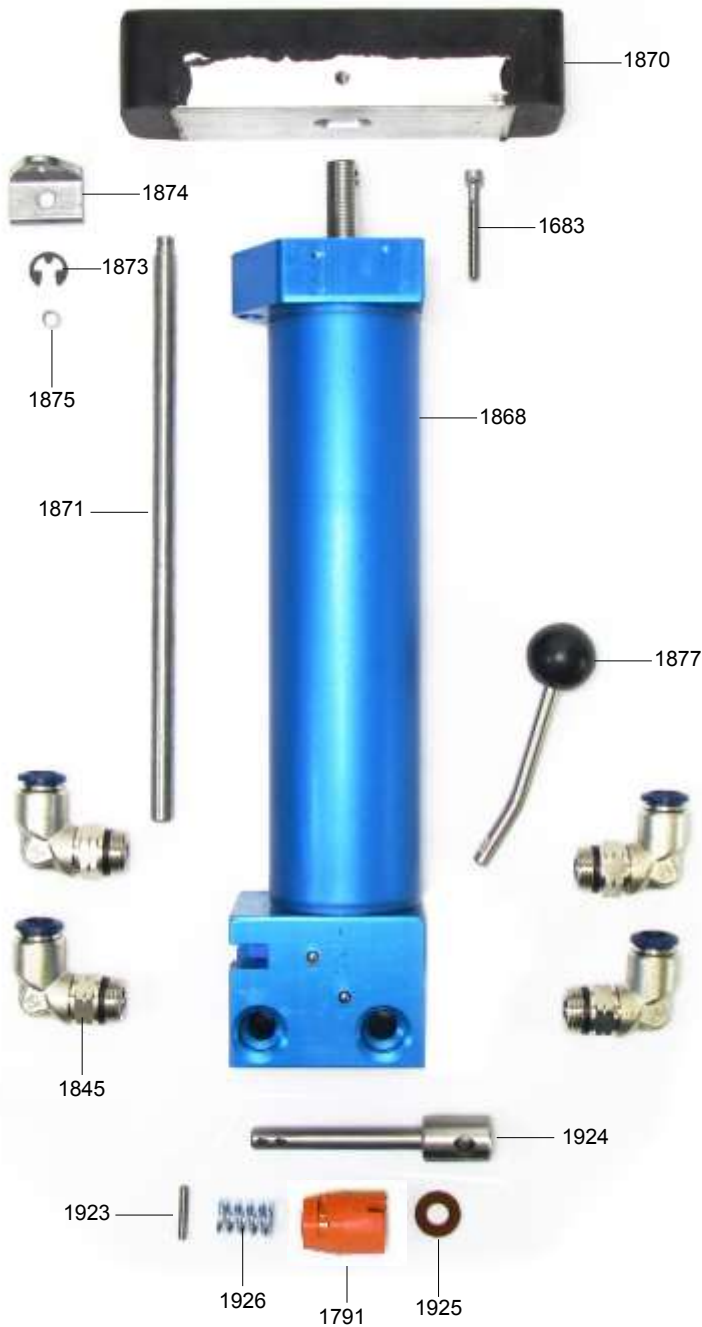
### Mounting Hardware



# Ez FI exx50 2017 - Current Parts



## 1876—CYLINDER, ASSEMBLY, 40MM X 6.0", AL, BLUE, WITH FASTENERS AND HANDLE PREVIOUS BSS # ASM4056S / ASM4056



### 1876—CYLINDER, ASSEMBLY, 40MM X 6.0", AL, BLUE, WITH FASTENERS AND HANDLE

1868	CYLINDER, 40MM X 6.0", VALVE IN BASE, AL BLUE
1870	BUMPER, 5.8 X 1.5 X 1.3, 65A DIR, ROD MOUNT
1871	ROD, ANTI TURN, 6" CYLINDER, STAINLESS STEEL
1873	RETAINING RING, EXTERNAL, .25 SHAFT, STEEL, BLACK PHOSPHATE
1874	BRACKET, ANTI TURN, ALUMINUM, BUMPER MOUNT
1875	BUSHING, ANTI TURN, STAINLESS STEEL 18-8, #10
1877	HANDLE, CYLINDER, STAINLESS STEEL, WITH BALL
1845	FITTING, 3/8 PUSH LOCK TO, 3/8 UNPTM, 90°, SWIVEL
1923	PIN, 1/8 X 3/4, STAINLESS STEEL 18-8
1924	SHAFT, ROTOR, VALVE BASE CYLINDER, STAINLESS STEEL
1925	WASHER, .313ID .637 OD X .067
1926	SPRING, .480 OD X .75 FREE, 146.9 LB/IN, ZINC
1791	ROTARY VALVE, CYLINDER, HDPE
1667	SCREW, SHC, 10-32 X 1
1867	SPACER, .3125OD X .375, .193ID, ALUMINUM
1666	SCREW, SHC, 10-32 X 5/8
1683	SCREW, SHC 10-32 X 1.5, STAINLESS STEEL 18-8

#### Mounting Hardware

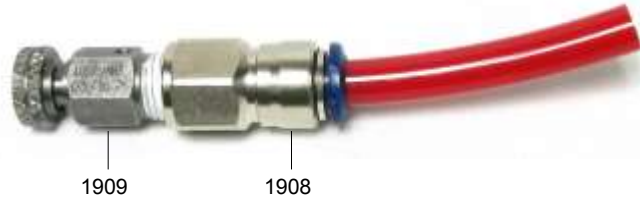


## 1910—BLEEDER, ASSEMBLY, TWO LINE, 3/8 TUBE, BLACK

### 1910—BLEEDER, ASSEMBLY, TWO LINE, 3/8 TUBE, BLACK

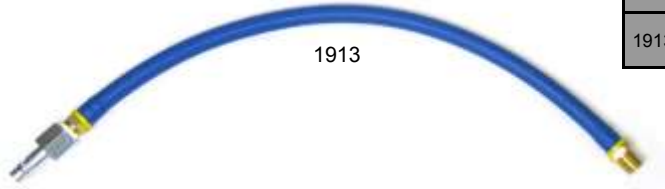
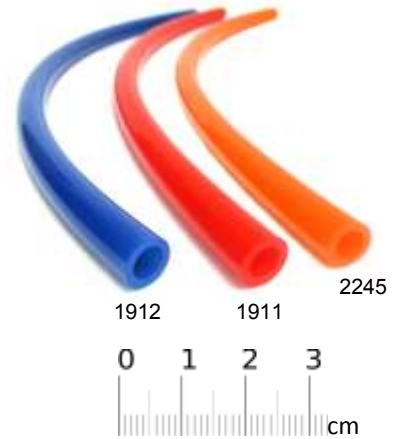
1908 FITTING, 1/4 NPTF TO, 3/8 PUSH TO CONNECT HOSE, NICKEL PLATED, BRASS

1909 FITTING, BLEEDER, 1/4 NPTM, SS, KNURLED

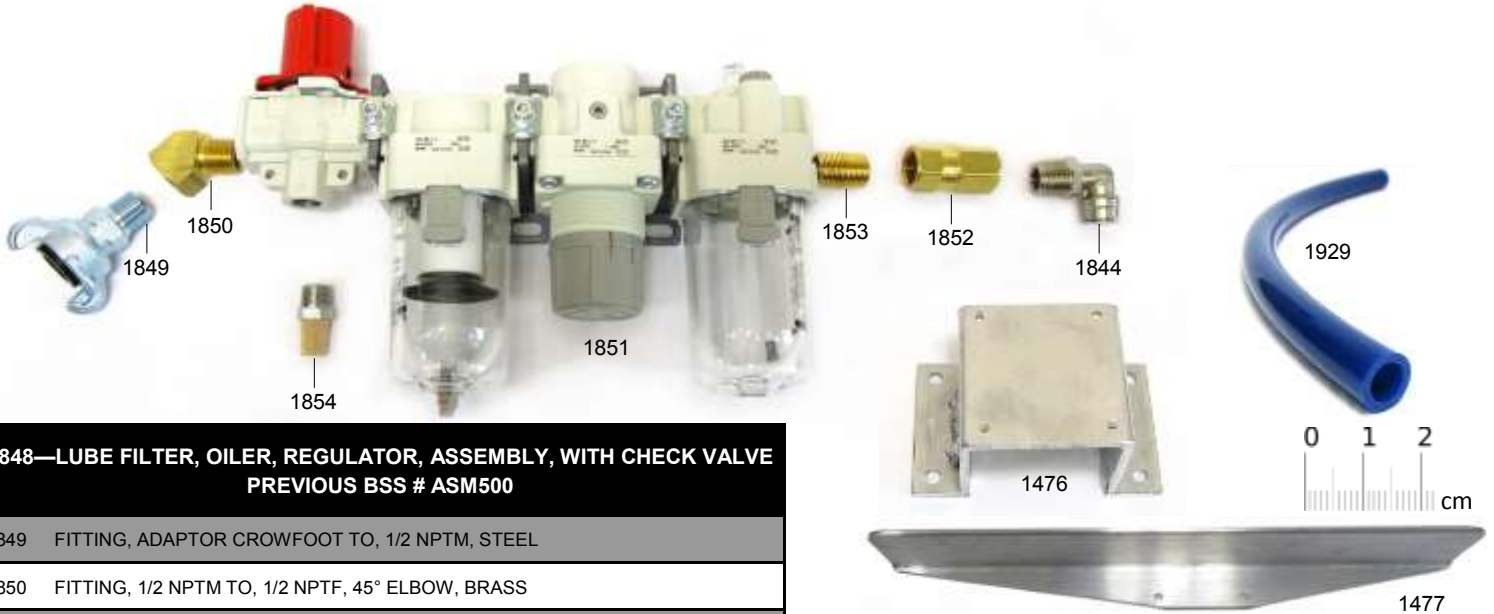


## CYLINDER / MASTER VALVE HOSE

PART #	DESCRIPTION
1912	HOSE, 3/8 OD, BLUE, POLY
1911	HOSE, 3/8 OD, RED, POLY
2245	HOSE, 3/8 OD, ORANGE, POLY
1913	HOSE, ASSEMBLY, CROSS OVER, 2'



## LUBRICATOR SYSTEM



### 1848—LUBE FILTER, OILER, REGULATOR, ASSEMBLY, WITH CHECK VALVE PREVIOUS BSS # ASM500

1849	FITTING, ADAPTOR CROWFOOT TO, 1/2 NPTM, STEEL
1850	FITTING, 1/2 NPTM TO, 1/2 NPTF, 45° ELBOW, BRASS
1851	LUBE FILTER, OILER, REGULATOR, ASSEMBLY, WITH MOUNTS
1852	FITTING, CHECK VALVE, 1/2 MPTF TO, 1/2 NPTF, BRASS, ONE WAY VALVE
1853	FITTING, 1/2 NPTM PIPE NIPPLE, 1 1/2 LONG, BRASS
1854	FITTING, MUFFLER, 3/8 NPTM
1844	FITTING, 1/2 PUSH LOCK TO, 1/2 NPTM, 90°, SWIVEL

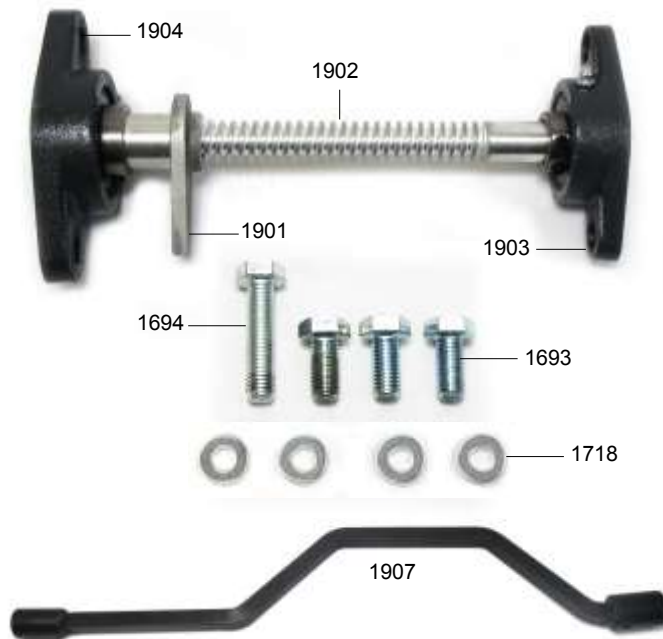
PART #	DESCRIPTION
1476	BRACKET, WELDMENT, LUBE OIL FILTER, MOUNT, WITH FASTENERS
1477	GUARD, LUBE OIL FILTER
1929	HOSE, 1/2 OD, POLY, BLUE



## Arch Spacer

<b>1900</b>	<b>SPACER, ASSEMBLY, FLEX BEARINGS, AL ACME SCREW, WITH FASTENERS, KIT—PREVIOUS BBS # ASM450</b>
1904	BEARING, 1.0 ID, FACE MOUNT, 2 BOLT, STEEL, FLEX BEARING, TAPPED TO M14
1901	ANTI TURN, SPACER ASSEMBLY, AL CAST
1902	BOLT, SPACER ASSEMBLY, 3/4-5 LH, ALUMINUM
1903	BEARING, 3/4 ID, FACE MOUNT, 2 BOLT, STEEL, FLEX BEARING, TAPPED TO M14
1694	SCREW, HHC, M14-2 X 60
1693	SCREW, HHC, M14-2 x 30, GRADE 5, ZINC
1718	WASHER, FLAT, M14, ZINC

PART #	DESCRIPTION
1907	TOOL, SPEED WRENCH, WELDMENT, STEEL



## MISCELLANEOUS PARTS

PART #	DESCRIPTION
1916	JACK, FLAT BOTTOM, 3 TON, 19" STROKE
1917	JACK, KNUCKLE BOTTOM, 3 TON, 19" STROKE
1974	CASTER, DUAL WHEEL, SWIVEL, 6000 LB, 10 X 3 RED POLY ON CAST STEEL, WITH OSCILLATING AXLE
1784	LIGHT, LED, 50W, beam angle 110°, color 5000K
1970	WHEEL, 2 X 6", V-GROOVE, STEEL, CASTER WHEEL,
2037	CASTER, 4000 LBS., 2 WHEEL, ALUMINUM BODY,
1968	MACHINE GAUGE



May require grinding down on attachment point

## 1790—TOOL BOX ASSEMBLY



1790—TOOL BOX ASSEMBLY	
1785	TOOL BOX, 19 X 10 X 9, BLACK
1972	HAMMER, DEAD BLOW, 4 LB, NEON ORANGE
1977	TOOL, SPRING DEPRESSOR, CLAMP, STEEL
1786	WRENCH, ADJ, 10"
1979	TOOL, HEX KEY, 5/32, BLACK PHOSPHATE STEEL, L SHAPE
1980	TOOL, HEX KEY, 1/8, BLACK PHOSPHATE, STEEL, L SHAPE
1788	PLIERS, LONG NOSE, 8"
1787	ALIGNMENT TOOL, 5/16 X 12"
1982	TOOL, HAMMER, RAWHIDE, 3LB

## HARDWARE / OIL

PART #	DESCRIPTION
1606	PIN, HITCH, 5/8 X 5.0
1210	PIN, HITCH 1/2 X 4 1/4, EFFECTIVE LENGTH, YELLOW ZINC PLATED
1978	PIN, LINCH, 3/16 RING, YELLOW ZINC
2056	PIN, 3/8 X 2 1/2(USABLE),BALL DETENT, SS 18-8, WITH LANYARD
1209	PIN, CLEVIS PIN, 3/4 X 5, 4.76 EFFECTIVE, STEEL, ZINC
2248	PIN SET, 5/8 X 5, BRICKING MACHINE, EOR 4M—6M

PART #	DESCRIPTION
1899	OIL, HYDRAULIC, 15 LF OZ, 443mL, ISO 32
1983	OIL, AIR TOOL, 15OZ, ISO 32







## MACHINE COMPONENTS

PART #	DESCRIPTION
2050	FALL GUARD, SINGLE END, MADE TO ORDER, MACHINE SERIAL NUMBER REQUIRED
1565	ARCH HINGE, ASSEMBLY, M10 MOUNT
2339	LADDER
2036	SCREW JACK, ARCH, MADE TO ORDER, MACHINE SERIAL NUMBER REQUIRED
2340	Perf-O-Grip Plank 12in x 14ft
2341	Perf-O-Grip Plank 7in x 14ft
2342	Perf-O-Grip Plank 12in x 17ft
2343	Perf-O-Grip Plank 7in x 17ft



FALL GUARDS ARE CUSTOM BUILT TO YOUR MACHINES SERIAL NUMBER

## MACHINE LABEL SET

YOUR MACHINES SERIAL NUMBER IS REQUIRED. FULL LABEL SET NOT SHOWN

**NOTICE**

USE UPPER PIN LOCATION FOR ALL SETTINGS EXCEPT 6.0M  
USE LOWER PIN LOCATION FOR 6.0M SETTING

**WARNING**

FAILURE TO SET AND LOCK THE CASTERS PARALLEL TO THE KILN CENTERLINE MAY RESULT IN INSTABILITY AND OVERTURN OF MACHINE

**CAUTION**

FAILURE TO LOCK THE TROLLEY AND PREVENT IT FROM ROLLING FREELING MAY RESULT IN INJURY TO PERSONNEL

B LEFT

1

420 MM

LOAD CAPACITY: 3,000 KG [6,600 LBS]

## 1 YEAR SPARE PARTS

Qty	Part #	Description
1	1885	MASTER VALVE, ASSEMBLY, PLACING ARCH, BLUE
2	1918	KIT, MASTER VALVE, REBUILD, O-RING REPLACEMENT, BLUE
1	1900	SPACER, ASSEMBLY, FLEX BEARINGS, AL ACME SCREW, WITH FASTENERS, KIT
10	1927	ROTARY VALVE, CYLINDER, HDPE, BLUE
10	1912	HOSE, 3/8 OD, BLUE, POLY
4	1856	CYLINDER, ASSEMBLY, 40MM X 8.0", AL, BLUE, WITH FASTENERS AND HANDLE
2	1870	BUMPER, 5.8 X 1.5 X 1.3, 65A DIR, ROD MOUNT
2	1928	KIT, ROTOR REPLACEMENT, VALVE IN BASE CYLINDER
1	1977	TOOL, SPRING DEPRESSOR, CLAMP, STEEL
15	1978	PIN, LINCH, 3/16 RING, YELLOW ZINC
15	1606	PIN, HITCH, 5/8 X 5.0

## 2 YEAR SPARE PARTS

Qty	Part Number	Description
1	1885	MASTER VALVE, ASSEMBLY, PLACING ARCH, BLUE
1	1886	MASTER VALVE, ASSEMBLY, HOLDING ARCH, BLUE
2	1918	KIT, MASTER VALVE, REBUILD, O-RING REPLACEMENT, BLUE
2	1900	SPACER, ASSEMBLY, FLEX BEARINGS, AL ACME SCREW, WITH FASTENERS, KIT
1	1848	LUBE FILTER, OILER, REGULATOR, ASSEMBLY, WITH CHECK VALVE
20	1927	ROTARY VALVE, CYLINDER, HDPE, BLUE
20	1912	HOSE, 3/8 OD, BLUE, POLY
6	1869	CYLINDER, 40MM X 8.0", VALVE IN BASE, AL BLUE
4	1870	BUMPER, 5.8 X 1.5 X 1.3, 65A DIR, ROD MOUNT
4	1928	KIT, ROTOR REPLACEMENT, VALVE IN BASE CYLINDER
1	1917	JACK, KNUCKLE BOTTOM, 3 TON, 19" STROKE
1	1977	TOOL, SPRING DEPRESSOR, CLAMP, STEEL
30	1978	PIN, LINCH, 3/16 RING, YELLOW ZINC
30	1606	PIN, HITCH, 5/8 X 5.0



## SUPPLIED SPARE PARTS

Qty	Part Number	Description
2	1911	HOSE, 3/8 OD, RED, POLY—22" LENGTH
14	1912	HOSE, 3/8 OD, BLUE, POLY—13" LENGTH
1	1950	AM6 Dixon Air King Coupling
1	1918	KIT, MASTER VALVE, REBUILD, O-RING REPLACEMENT, BLUE
1	1928	KIT, ROTOR REPLACEMENT, VALVE IN BASE CYLINDER
1	1902	BOLT, SPACER ASSEMBLY, 3/4-5 LH, ALUMINUM
1	1983	OIL, AIR TOOL, 15OZ, ISO 32
1	1899	OIL, HYDRAULIC, 15 LF OZ, 443mL, ISO 32
1	1856	CYLINDER, ASSEMBLY, 40MM X 8.0", AL, BLUE, WITH FASTENERS AND HANDLE
1	1790	TOOL BOX ASSEMBLY (Contains items below)
10%	1606	PIN, HITCH, 5/8 X 5.0
10%	1978	PIN, LINCH, 3/16 RING, YELLOW ZINC
10%	1209	PIN, CLEVIS PIN, 3/4 X 5, 4.76 EFFECTIVE, STEEL, ZINC
10%	2056	PIN, 3/8 X 2 1/2(USABLE),BALL DETENT, SS 18-8, WITH LANYARD
1	1790	TOOL BOX, 19 X 10 X 9, BLACK
	1972	HAMMER, DEAD BLOW, 4 LB, NEON ORANGE
	1977	TOOL, SPRING DEPRESSOR, CLAMP, STEEL
	1786	WRENCH, ADJ, 10"
	1979	TOOL, HEX KEY, 5/32, BLACK PHOSPHATE STEEL, L SHAPE
	1980	TOOL, HEX KEY, 1/8, BLACK PHOSPHATE, STEEL, L SHAPE
	1789	WRENCH SET, 10"-250MM
	1788	PLIERS, LONG NOSE, 8"
	1787	ALIGNMENT TOOL, 5/16 X 12"
	1981	TOOL, RAWHIDE REPLACEMENT FACE, 3LB
	1982	TOOL, HAMMER, RAWHIDE, 3LB

**MISCELLANEOUS**

PART #	DESCRIPTION
1914	HOSE, 3/4 ID, BARB-TITE, BLUE, 1200 PSI BURST, 300 PSI MAX, 1 1/16"OD
1915	HOSE, 5/8 ID, BARB-TITE, BLUE, 1200 PSI BURST, 300 PSI MAX, 15/16"OD
1984	JACK, HYDRAULIC, 2 TON, WITH PUMP



**1758—RETRO FIT BARBED FITTINGS REPLACEMENT**



If your machine has CF001 barbed fittings or CB205 manifold coupler block, we have a new retro fit part that can connect these fittings to the AF103S quick connect.





### HWS—HARDWARE KITS



Hardware kits are based on machine serial number. Machine serial number is required with hardware kit order



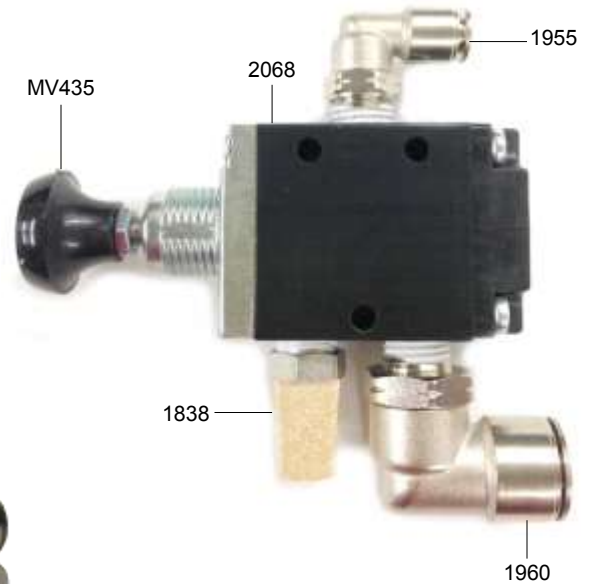
Machine Number Location

## VALVE SYSTEM

PART #	DESCRIPTION
2068	ECON-O-RING MASTER VALVE BLOCK
MV435	MASTER VALVE KNOB
1838	FITTING, MUFFLER, 1/4 NPTM, BRONZE ELEMENT, STEEL, ZINC PLATED
1960	FITTING, ELBOW, 1/4 NPTM - 1/2 TUBE, 90°, SWIVEL, BRASS, NICKEL PLATED
1955	FITTING, ELBOW, 1/4 NPTM - 1/4 TUBE, 90°, SWIVEL, BRASS, NICKEL PLATED
1953	FITTING, UNION TEE, 1/2 TUBE x 1/2 TUBE x 1/2 TUBE, BRASS, NICKEL PLATED



1953



## LUBRICATOR SYSTEM

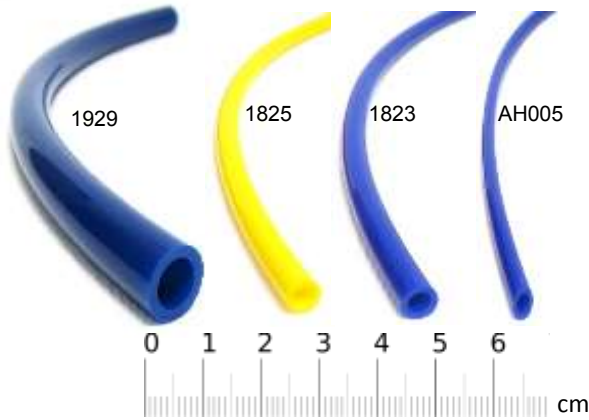


### 1848—LUBE FILTER, OILER, REGULATOR, ASSEMBLY, WITH CHECK VALVE PREVIOUS BSS # ASM450

1849	FITTING, ADAPTOR CROWFOOT TO, 1/2 NPTM, STEEL
1850	FITTING, 1/2 NPTM TO, 1/2 NPTF, 45° ELBOW, BRASS
1851	LUBE FILTER, OILER, REGULATOR, ASSEMBLY, WITH MOUNTS
1852	FITTING, CHECK VALVE, 1/2 MPTF TO, 1/2 NPTF, BRASS, ONE WAY VALVE
1853	FITTING, 1/2 NPTM PIPE NIPPLE, 1 1/2 LONG, BRASS
1854	FITTING, MUFFLER, 3/8 NPTM
1844	FITTING, 1/2 PUSH LOCK TO, 1/2 NPTM, 90°, SWIVEL



## HOSES



PART #	DESCRIPTION
1929	HOSE, 1/2 OD, POLY, BLUE (MASTER VALVE / LUB FILTER)
1825	HOSE, 1/4" OD, YELLOW, POLY (CYLINDER JUMP )
1823	HOSE, 1/4" OD, BLUE, POLY (CYLINDER)
AH005	HOSE, 1/8" OD, BLUE, POLY (MASTER VALVE)

## MISCELLANEOUS PARTS



PART #	DESCRIPTION
2319	CASTER, SWIVEL, 6.0" X 2.0", PLASTIC, GREY
2073	WHEEL, ECON, 4", STEEL, BLACK
2065	GAUGE, AIR, 0-200 PSI, 1/8 NPTM

## OLD FITTINGS PARTS



PART #	DESCRIPTION
1417	FITTING, COUPLING, 1/4 NPTF, BRASS
1958	FITTING, STRAIGHT, 3/8 NPTM - 1/2 TUBE, BRASS, NICKEL PLATED
OT924	Econo Reducer 1109x2x4
2087	FITTING, UNION, Y
1954	FITTING, ELBOW, 1/8 NPTM - 1/4 TUBE, 90°, SWIVEL, BRASS, PLASTIC COVERED
1962	FITTING, RUN TEE, 1/4 NPTF - 1/4 NPTF - 1/4 NPTM, BRASS
1933	FITTING, NIPPLE, 1/4 NPTM X 0.875, BRASS
1842	MALE CONNECTOR
1952	FITTING, TEE, 1/8 NPTM - 1/8 PUSH LOCK TUBE, BRASS, PLASTIC COVERED

**2060—CYLINDER, ASSEMBLY, 4.0", SPRING RETURN, WITH TOGGLE SWITCH AND FITTINGS**  
**PREVIOUS BSS # ASM006**



2064



2059

**2060—CYLINDER, ASSEMBLY, 4.0", SPRING RETURN, WITH TOGGLE SWITCH AND FITTINGS**

2059	CYLINDER, 4.0" SPRING RETURN, HEX SHAFT, NO VALVE
2064	BUMPER, ECON-O-RING
2061	FITTING, HEX NIPPLE, 1/8 NPTM - 1/8 NPTM, BRASS
2062	SWITCH, TOGGLE, 1/8 NPTF - 1/8 NPTF, 2 POSITION - 2 WAY, AIR
2063	FITTING, ELBOW, 1/8 UNPTM - 1/4 TUBE, 90°, SWIVEL, BRASS, NICKEL
2069	FITTING, UNION TEE, 1/4 TUBE - 1/4 TUBE - 1/4 TUBE, BRASS, NICKEL
1823	HOSE, 1/4" OD, BLUE, POLY



2061



2062



2063





## SUPPLIED SPARE PARTS

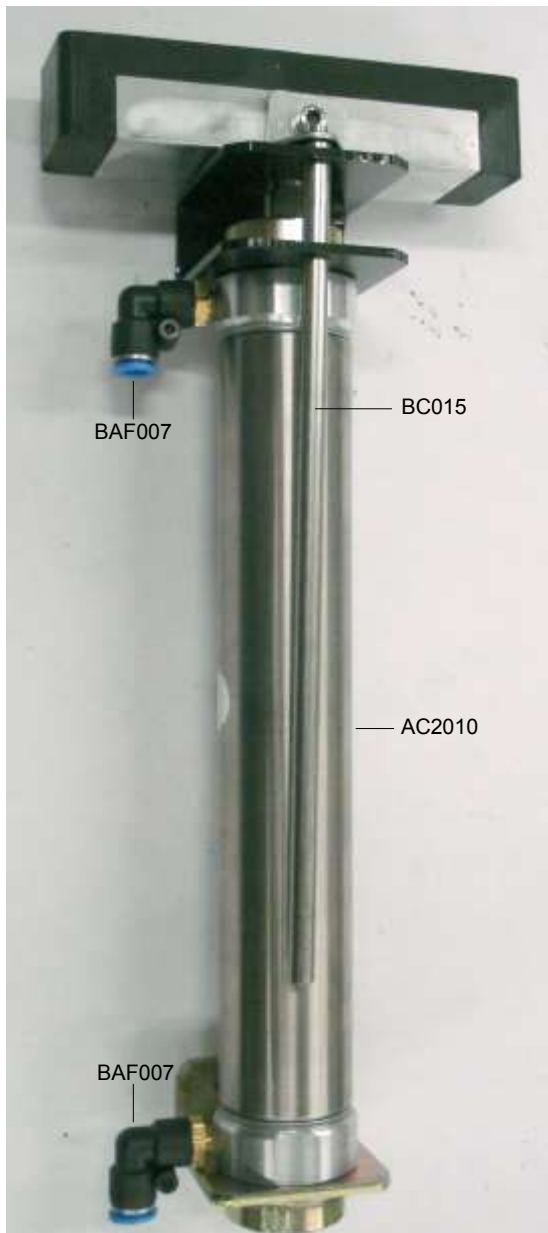
Qty	Part #	Description
1	2060	CYLINDER, ASSEMBLY, 4.0", SPRING RETURN, w/ TOGGLE SWITCH & FITTINGS
1	2069	FITTING, UNION TEE, 1/4 TUBE - 1/4 TUBE - 1/4 TUBE, BRASS, NICKEL PLATED
2	1823	HOSE, POLY, 1/4" OD, BLUE
1	1983	OIL, AIR TOOL, 15OZ, ISO 32
1	1950	FITTING, COUPLER, CROWFOOT - 3/4 BARBED, STEEL, ZINC PLATED
8	HW	3/8" x 4.0" BOLT w/ WING NUTS

## 2 YEAR SPARE PARTS

Qty	Part #	Description
1	1848	LUBE FILTER, OILER, REGULATOR, ASSEMBLY, w/ CHECK VALVE
1	1896	PUMP, MANUAL / HYDRUALIC, 10,000 PSI
1	2070	CYLINDER, 10 TON, HYDRAULIC, 2" STROKE, 2.24 BORE
1	2088	HOSE ASSEMBLY, HAND PUMP KEYING JACK, 10'
2	2059	CYLINDER, 4.0" SPRING RETURN, HEX SHAFT, NO VALVE
1	2068	ECON-O-RING MASTER VALVE BLOCK
2	1870	BUMPER, 5.8 x 1.5 x 1.3, 65A DIR, ROD MOUNT
1	2087	FITTING, UNION, Y (ECONO RING)
4	2069	FITTING, UNION TEE, 1/4 TUBE, BRASS, NICKEL PLATED
4	1937	FITTING, REDUCER, 1/8 TUBE - 1/4 TUBE, PLASTIC
1	1960	FITTING, ELBOW, 1/4 NPTM - 1/2 TUBE, 90°, SWIVEL, BRASS, NICKEL PLATED
4	1954	FITTING, ELBOW, 1/8 NPTM - 1/4 TUBE, 90°, SWIVEL, BRASS, NICKEL PLATED
2	1838	FITTING, MUFFLER, 1/4 NPTM, BRONZE ELEMENT, STEEL, ZINC PLATED
2	1823	HOSE, POLY, 1/4 OD, BLUE
1	1983	OIL, AIR TOOL, 15 fl. oz., ISO 32
1	1899	OIL, HYDRUALIC, 15 fl.oz., ISO 32

**ASM2010B—CYLINDER W/ BAF007**

**ASM2010A—CYLINDER W/ BAF007**



**ASM2010B—CYLINDER W/ BAF007, BASIC, ASSEMBLY**

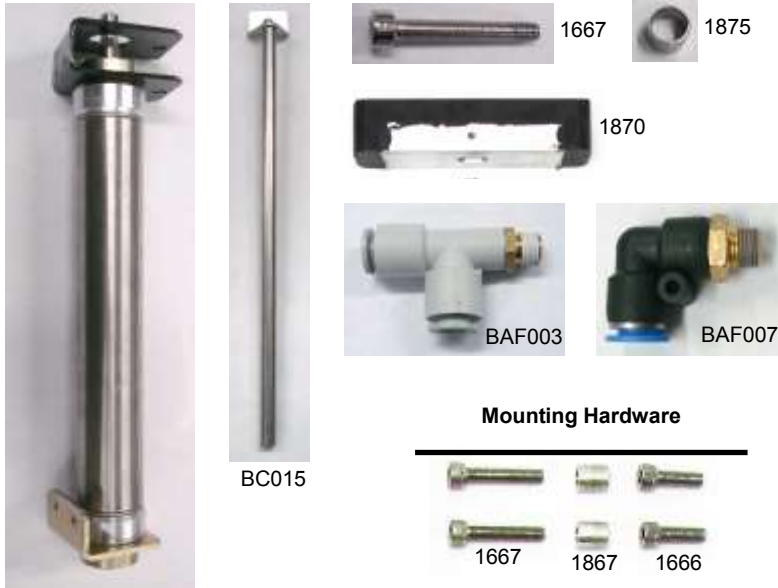
**ASM2010A—CYLINDER W/ BAF007, BASIC, ASSEMBLY**

AC2010	CYLINDER, BASIC
1870	BUMPER, 5.8 X 1.5 X 1.3, 65A DIR, ROD MOUNT
BC015	GUIDE ROD, BASIC CYLINDER, ASSEMBLY
1667	SCREW, SHC, 10-32 X 1.0, STAINLESS STEEL, GRADE 18-8
1875	BUSHING, ANTI-TURN ROD, STAINLESS STEEL, GRADE 18-8
BAF007	FITTING, METRIC ELBOW SMALL Q/D, BASIC

AC2010	CYLINDER, BASIC
1870	BUMPER, 5.8 X 1.5 X 1.3, 65A DIR, ROD MOUNT
BC015	GUIDE ROD, BASIC CYLINDER, ASSEMBLY
1667	SCREW, SHC, 10-32 X 1.0, STAINLESS STEEL, GRADE 18-8
1875	BUSHING, ANTI-TURN ROD, STAINLESS STEEL, GRADE 18-8
BAF003	FITTING, METRIC CUSTOM Y Q/D, BASIC



## BASIC CYLINDER COMPONENTS



PART #	DESCRIPTION
AC2010	CYLINDER, BASIC
1870	BUMPER, 5.8 X 1.5 X 1.3, 65A DIR, ROD MOUNT
BC015	GUIDE ROD, BASIC CYLINDER, ASSEMBLY
BAF003	FITTING, METRIC CUSTOM Y Q/D, BASIC
BAF007	FITTING, METRIC ELBOW SMALL Q/D, BASIC
1875	BUSHING, ANTI-TURN ROD, STAINLESS STEEL, GRADE 18-8
1667	SCREW, SHC, 10-32 X 1.0, STAINLESS STEEL, GRADE 18-8
1667	SCREW, SHC, 10-32 X 1
1867	SPACER, .3125OD X .375, .193ID, ALUMINUM
1666	SCREW, SHC, 10-32 X 5/8

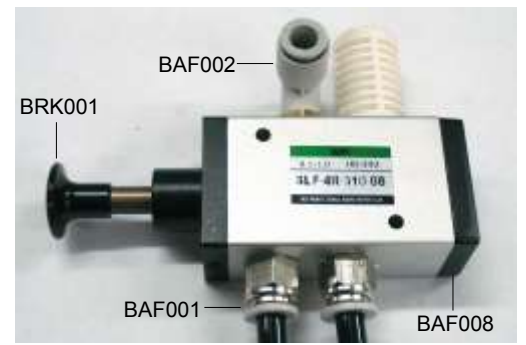
AC2010

## BASIC VALVE COMPONENTS



BV001—PUSH / PULL VALVE W/ TEE FITTING, BASIC, ASSEMBLY	
BAF008	PUSH / PULL VALVE, BASIC
BAF001	FITTING, METRIC STRAIGHT Q/D, BASIC
BRK001	VALVE KNOB
BAF004	FITTING, METRIC TEE Q/D, BASIC

BV002—PUSH / PULL VALVE W/ ELBOW FITTING, BASIC, ASSEMBLY	
BAF008	PUSH / PULL VALVE, BASIC
BAF001	FITTING, METRIC STRAIGHT Q/D, BASIC
BRK001	VALVE KNOB
BAF002	FITTING, METRIC ELBOW Q/D, BASIC



BAF004

BAF002

BAF001

**BMV01—MASTER VALVE, BASIC, ASSEMBLY**

**BMV01—MASTER VALVE, BASIC, ASSEMBLY**

PMV01 MASTER VALVE, BASIC, VALVE ONLY

BAF012 FITTING, MUFFLER, BASIC

BAF004 FITTING, METRIC TEE Q/D, BASIC

BRK001 KNOB, BASIC



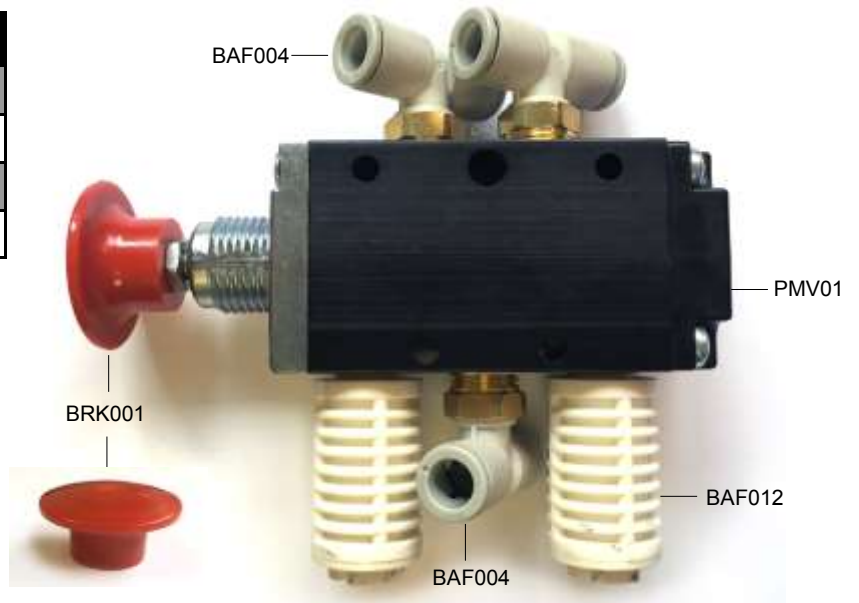
PMV01



BAF012



BAF004



BAF004

BRK001

PMV01

BAF012

BAF004

**LUBRICATOR SYSTEM**

**HOSE**



1477

1476

1850

1849

1854

1851

1853

1852

1844

AF458



BAF009

1929

BAF010

BAF011

**1848—LUBE FILTER, OILER, REGULATOR, ASSEMBLY, WITH CHECK VALVE**

1849 FITTING, ADAPTOR CROWFOOT TO, 1/2 NPTM, STEEL

1850 FITTING, 1/2 NPTM TO, 1/2 NPTF, 45° ELBOW, BRASS

1851 LUBE FILTER, OILER, REGULATOR, ASSEMBLY, WITH MOUNTS

1852 FITTING, CHECK VALVE, 1/2 MPTF TO, 1/2 NPTF, BRASS, ONE WAY VALVE

1853 FITTING, 1/2 NPTM PIPE NIPPLE, 1 1/2 LONG, BRASS

1854 FITTING, MUFFLER, 3/8 NPTM

1844 FITTING, 1/2 PUSH LOCK TO, 1/2 NPTM, 90°, SWIVEL

**PART # DESCRIPTION**

1476 BRACKET, WELDMENT, LUBE OIL FILTER, MOUNT, WITH FASTENERS

1477 GUARD, LUBE OIL FILTER

1929 HOSE, 1/2 OD, POLY, BLUE

BAF009 METRIC 8MM HOSE, RED

BAF010 METRIC 8MM HOSE, GREEN

BAF011 METRIC 8MM HOSE, BLACK

AF458 GAUGE, LUBRICATOR / FILTER, BASIC



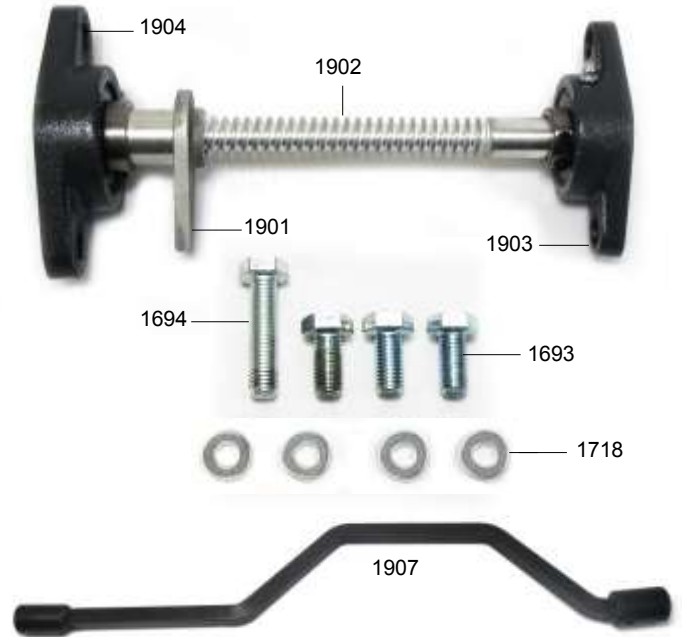
## Arch Spacer

### 1900 SPACER, ASSEMBLY, FLEX BEARINGS, AL ACME SCREW, WITH FASTENERS, KIT—PREVIOUS BBS # ASM450

1904	BEARING, 1.0 ID, FACE MOUNT, 2 BOLT, STEEL, FLEX BEARING, TAPPED TO M14
1901	ANTI TURN, SPACER ASSEMBLY, AL CAST
1902	BOLT, SPACER ASSEMBLY, 3/4-5 LH, ALUMINUM
1903	BEARING, 3/4 ID, FACE MOUNT, 2 BOLT, STEEL, FLEX BEARING, TAPPED TO M14
1694	SCREW, HHC, M14-2 X 60
1693	SCREW, HHC, M14-2 x 30, GRADE 5, ZINC
1718	WASHER, FLAT, M14, ZINC

### PART # DESCRIPTION

1907	TOOL, SPEED WRENCH, WELDMENT, STEEL
------	-------------------------------------



## MISCELLANEOUS PARTS

### PART # DESCRIPTION

1916	JACK, FLAT BOTTOM, 3 TON, 19" STROKE
1917	JACK, KNUCKLE BOTTOM, 3 TON, 19" STROKE
1974	CASTER, DUAL WHEEL, SWIVEL, 6000 LB, 10 X 3 RED POLY ON CAST STEEL, WITH OSCILLATING AXLE
1784	LIGHT, LED, 50W, beam angle 110°, color 5000K
1970	WHEEL, 2 X 6", V-GROOVE, STEEL, CASTER WHEEL,
1984	JACK, HYDRAULIC, 2 TON, WITH PUMP



May require grinding down on attachment point

PART #	DESCRIPTION
2827	BELT, CONVEYOR, 12 IN WIDE BY 20 FT LONG W/ PINS
CB022	BELT, CONVEYOR, 20 IN WIDE BY 20 FT LONG W/ PINS
CL001	BELT LACE, CONVEYOR
CL002	LACE PINS, CONVEYOR BELT
CBK012	SPLICE KIT, CONVEYOR 12 IN WIDE. INCLUDES LENGTHS OF: 6, 12, 18, 24, 30, 36 IN AND PINS
CBK020	SPLICE KIT, CONVEYOR 20 IN WIDE. INCLUDES LENGTHS OF: 6, 12, 18, 24, 30, 36 IN AND PINS
2841	CHAIN SPROCKET, 1 1/4 IN BORE, 18 TEETH, CONVEYOR
2842	CHAIN SPROCKET, 1 1/4 IN BORE, 12 TEETH, CONVEYOR
2797	MOUNTED BEARING, CONVEYOR, 1 1/4 IN SHAFT DIAMETER
2471	CONVEYOR TRACKING ADJUSTER WITH HARDWARE
2843	ROLLER CHAIN, CONVEYOR
2825	LEG, CONVEYOR, 36 IN
2832	CONVEYER SCISSOR JACK
2799	CONVEYOR EXTENSION SECTION, 12 IN WIDE 10 FT LONG
CNVEXT20	CONVEYOR EXTENSION SECTION, 20 IN WIDE 10 FT LONG
CNV EMG	EMERGENCY STOP SWITCH, CONVEYOR



2827 / CB022



CBK012 / CBK020



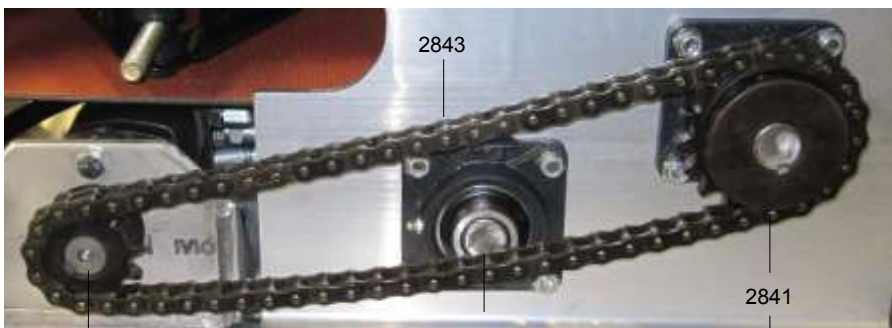
2825



CL001 / CL002



CNV EMG ST



2843

2841

2471

2842

2797



2832



2799 / CNVEXT20

# Conveyor Parts



PART #	DESCRIPTION
2431	SCREW, FHSC, 3/8-16 x 3.5, STEEL, ZINC PLATED
2430	SCREW, FHSC, 3/8-16 x 3.0, STEEL, ZINC PLATED
1239	SCREW, HHC, 1/2-13 x 2, GRADE 5, ZINC
1612	SCREW, HHC, 1/2-13 x 1.375, GRADE 5, ZINC
1238	WASHER, SPLIT LOCK, 1/2, ZINC
1633	NUT, HEX, NYLOCK, THIN, 1/2-13, ZINC
1240	NUT, HEX, 1/2-13, ZINC
1402	NUT, HEX, NYLOCK, 3/8-16, ZINC
2076	PIN, DOUBLE WIRE SNAP, 1/4 x 2.50, STEEL, ZINC PLATED

Old	New	Description
A13	1930	THREADED SADDLE, ROD END CONVE
AB438	1902	BOLT, SPACER ASSEMBLY, 3/4-5 L
AC46	1868	CYLINDER, 40MM X 6.0", BLUE
AC48	1869	CYLINDER, 40MM X 8.0", BLUE
AC733	1889	SHIM DRIVER HEAD, CAST STEEL
AC761	1817	FOOT, KEYING JACK
AC762	1818	ROD END, 1 1/4" NPTF
AF002	1849	FITTING, CROWFOOT, TO 1/2 NPT
AF018	1821	FITTING, 1/2 NPTF, QUICK DISCO
AF074	1804	FITTING, 1/8 NPTM TO 1/4 HOSE
AF103S	1845	FITTING, 3/8 PUSH LOCK TO, 3/8
AF139S	1840	FITTING, 3/8 UNPTM TO 3/8 HOSE
AF268	1853	FITTING, 1/2 NPTM PIPE NIPPLE,
AF421	1819	FITTING, 1/2 NPTM TO 3/8 BARBT
AF426	1888	FITTING, 1/2 BARB, TO 3/8 NPTM
AF432	1820	FITTING, 1/4 NPTM TO 3/8 BARBT
AF446	1838	FITTING, MUFFLER, 1/4 NPTM
AF447	1854	FITTING, MUFFLER, 3/8 NPTM
AF450	1839	FITTING, PLUG, 1/2 NPTM, HEX
AF508	1850	FITTING, 1/2 NPTM TO,45° ELBOW
AF544	1809	FITTING, 1/4 NPTF TO 1/4 JICM
AF684	1806	FITTING, 1/4 JIC TO 1/4 HOSE 45
AF734	1803	FITTING, 1/8NPTM TO 1/4 HOSE 90
AF739	1841	FITTING, INDUSTRIAL 1/2 QUICK
AF902	1826	SLEEVE, HOSE WELTING, 1.35 ID
AH001	1823	HOSE, 1/4" OD, BLUE, POLY
AH002	1824	HOSE, 1/4" OD, RED, POLY
AH003	1825	HOSE, 1/4" OD, YELLOW, POLY
AH004	1912	HOSE, 3/8 OD, BLUE, POLY
AH006	1911	HOSE, 3/8 OD, RED, POLY
AH394	1887	AIR HAMMER, RD SHANK, RED
AH430	1892	FITTING, 1/2 BARB, TO 1/2 NPTM
AH475	1862	HOSE ASSEMBLY, SUPPLY, 2'
AH732	1816	AIR HOSE, 3/8" ID, 21/32 OD
AH733	1891	HOSE, 1/2 ID, BARB-TITE, BLUE
AH734	1915	HOSE, 5/8 ID, BARB-TITE, BLUE
AH735	1914	HOSE, 3/4 ID, BARB-TITE, BLUE
AH809	1929	HOSE, 1/2 OD, POLY, BLUE
AP132	1797	PUMP, AIR / HYDRAULIC, PENDENT
AP141	1896	PUMP, HAND, 10,000 PSI,21CU IN
AR400	1565	ASSY, ARCH HINGE
AS001	1851	LUBE FILTER, OILER, REGULATOR,
ASM207	1922	BLEEDER, ASSEMBLY, BLACK
ASM4056S / ASM4056	1876	CYLINDER, ASSY, 6", BULE
ASM4058S/ASM4058	1856	CYLINDER, ASSY, 8", BULE
ASM450	1848	LUBE FILTER, OILER, REGULATOR,
ASM450	1900	SPACER ASSEMBLY, FLEX BEARING
ASM453	1928	KIT, ROTOR REPLACEMENT
ASM461	1918	KIT, MASTER VALVE, REBUILD

Old	New	Description
ASM463BS / ASM463B	1886	MASTER VALVE,ASSY,HOLDING,BLUE
ASM463BS \ ASM463B	1846	MASTER VALVE, ASM, HOLDING
ASM463FS / ASM463F	1837	MASTER VALVE, ASM, PLACING
ASM463FS / ASM463F	1885	MASTER VALVE, ASSY,PLACING BLE
ASM476	1863	HOSE ASSEMBLY, FOOT TRUNDLE KE
ASM718	1898	HOSE, 3/8 NPTM X 10', W/HIGH F
ASM719A	1822	HOSE, 3/8 NPTM X 6', W/ HIGH F
ASM760	1864	FOOT, KEYING JACK, ASSEMBLY
ASM790	1831	KEYING JACK, FOOT CONTROLLED
ASM800A	1796	KEYING JACK, FIGER TIP CONTROL
ASM801	1861	HOSE ASSEMBLY, KEYING JACK, GA
ASM830A	1857	HOSE ASSEMBLY, KEYING JACK, CO
ASM900	1894	SHIM DRIVER, KIT
AT009	1977	TOOL, SPRING DEPRESSOR, CLAMP,
AT122	1983	OIL, AIR TOOL, 15OZ
AT439	1901	ANTI TURN, SPACER ASSEMBLY, AL
ATC002	1976	TOOL, TIP, SPRING DEPRESSOR
AW384	1893	HOSE, ASSY, 1/2X10',SHIM DRIVER
BCB001	1870	BUMPER, 5.8 X 1.5 X 1.3
CB504	1919	MANIFOLD, BLEEDER VALVE
CE250	1873	RETAINING RING, EXTERNAL, .25
CH006	1877	HANDLE, CYLINDER
CH022	1913	HOSE, ASSM, CROSS OVER
CH604	1828	FITTING, COUPLER, 3/8 HIGH FLO
CP005	1923	PIN, 1/8 X 3/4, SS 18-8
CR003	1927	ROTARY VALVE, CYLINDER, BLUE
CR006	1871	ROD, ANTI TURN, 6" CYLINDER
CR008	1872	ROD, ANTI TURN, 8" CYLINDER
CS001	1924	SHAFT, ROTOR, VALVE BASE CYLIN
CS004	1926	SPRING, .480 OD X .75 FREE
CV004	1852	FITTING, CHECK VALVE, 1/2 MPTF
CW002	1925	WASHER, .313ID .637 OD X .067
D-43	1566	HINGE, MALE
GA300	1798	MANIFOLD, 3/8 NPTM-1/4 NPTF
HC159	1810	CYLINDER, 10 TON, 6" STROKE
HG700	1808	GAUGE, 10,000 PSI, 1/4 NPTM
HH104	1805	FITTING, 1/4 HOSE TO 1/4 NPTM
HH106	1829	FITTING, 1/4 HOSE TO 3/8 NPTM
HH731	1807	HYDRAULIC HOSE, 1/4 ID
HJ317	1984	JACK, HYDRAULIC, 2 TON
HJ318	1916	JACK, FLAT BOTTOM, 3 TON
HJ318	1917	JACK, KNUCKLE BOTTOM, 3 TON,
HK745	1979	TOOL, HEX KEY, 5/32
HK746	1980	TOOL, HEX KEY, 1/8
HO723	1899	OIL, HYDRAULIC, 15 OZ, ISO 32
HP124	1210	PIN, HITCH 1/2 X 4
HP4	1568	PIN, ARCH HINGE
HS903	1830	GUARD, SPRING, STEEL





Old	New	Description
HSS36	1811	HOSE CLAMP, #28, 1 1/2
HW 044	1647	SCREW, HHC, 3/8-16 X 3
HW001	1630	NUT, NYLOCK, 3/8-16
HW004	1619	NUT, HEX, 3/8-16
HW010	1867	SPACER, 5/16 OD X 3/8
HW023	1683	SCREW, SHC, 10-32 X 1.5
HW024	1628	NUT, NYLOCK, 10-32
HW026	1658	CARRIAGE BOLT, 3/8-16 X 5
HW029	1931	SCREW, SET, 1/4-20 X 3/8, SS
HW030	1645	SCREW, HHC, 5/8-11 X 7.5
HW031	1517	SCREW, HHC 5/8-11 X 9.0
HW035	1629	NUT, NYLOCK, 1/4-20
HW038	1627	SCREW, HHC, 1/4-20 X 3/4
HW043	1615	SCREW, HHC, 3/8-16 X 2.5
HW046	1631	NUT, NYLOCK, 5/16-18
HW048	1618	SCREW, HHC, 3/8-16 X 5.5
HW049	1621	SCREW, HHC, 1/2-13 X 1
HW050	1622	SCREW, HHC, 1/2-13 X 1.25
HW051	1626	SCREW, HHC, 1/2-13 X 1.5
HW053	1635	SCREW, HHC, 1/2-13 X 4
HW056	1614	SCREW, HHC, 1/2-13 X 7.5
HW058	1636	SCREW, HHC, 1/2-13 X 4.5
HW059	1637	SCREW, HHC, 5/8-11 X 1.5
HW060	1609	SCREW, HHC, 3/8-16 X 5
HW074	1501	NUT, HEX 5/8-11 NYLOCK
HW075	1666	SCREW, SHC, 10-32 X 5/8
HW076	1667	SCREW, SHC, 10-32 X 1
HW077	1663	SCREW, SHC, 10-32 X 2 SS
HW116	1634	SCREW, HHC, 1/2-13 X 3
HW117	1638	SCREW, HHC, 3/8-16 X 1.25
HW120	1516-OBS	WASHER, FLAT 1
HW122	1613	NUT, WING, 1/2-13
HW125	1611	WASHER, FLAT, 3/8
HW126	1500	WASHER, FLAT 5/8
HW127	1616	SCREW, HHC, 3/8-16 X 4.5
HW134	1632	SCREW, HHC, 1/2-13 X 2.5
HW139	1662	PIN, SPRING, 3/32 X 1.25
HW142	1657	CARRIAGE BOLT, 3/8-16 X 3
HW144	1665	SCREW, SHC, 10-32 X 1/2
HW145	1620	NUT, JAM, 1/2-20
HW154	1518	NUT, WING 5/8-11
HW155	1623	NUT, HEX, 3/4-10
HW156	1513	WASHER, FLAT, 1/4
HW157	1617	WASHER, FLAT, 3/4
HW160	1612	SCREW, HHC, 1/2-13 X 1 3/8
HW163	1639	SCREW, HHC, 5/8-11 X 2
HW189	1641	SCREW, HHC, 5/8-11 X 3.5

Old	New	Description
HW194	1625	NUT, MACHINE SCREW, 10-32
HW195	1624	NUT, HEX, 7/8-9
JO680	1802	RETAINING RING, 0.75OD
LFC001	1477	GAURD, LUBE OIL FILTER
LJ101	1799	MANIFOLD, FINGER TIP CONTROL
LJ903	1800	VALVE, 3 WAY, CARTRIDGE
LJ904	1801	BUTTON, BRASS, 3/16 STEM
LPB1	1855	ALARM, LOW AIR PRESSURE, 1/4 N
MB001A	1874	BRACKET, ANTI TURN, ALUMINUM
MB002	1875	BUSHING, ANTI TURN, #10
MK443	1843	KNOB, 1/4-20 X 7/16, 1 3/8 OD,
MSC020	1974	CASTER, DAUL WHEEL, RED
MV430	1834	MASTER VALVE, MANIFOLD, 3 WAY
MV441	1832	MASTER VALVE, BODY, 3 WAY, BLA
MV441	1878	MASTER VALVE, MANIFOLD, BLUE
MV441	1879	MASTER VALVE, BODY, BLUE
MV442	1880	MASTER VALVE, END CAP, BLUE
MV444	1833	MASTER VALVE, SHUTTLE, 3 WAY,
MV444	1881	MASTER VALVE, SHUTTLE
MV445	1883	O-RING, MASTER VALVE, CUSTOM
MV449	1882	O-RING, -110
OR200	1921	O-RING, -008, BUNA-N
OT666	1908	FITTING, 1/4 NPTF TO, 3/8 PUSH
OT888	1884	FITTING, 1/2 NPTM TO 1/2 HOSE
OT924	1937	FITTING, REDUCER, 1/8 TO 1/4
OT988	1844	FITTING, 1/2 PUSH LOCK TO, 1/2
P15	1813	PIPE, 1 1/4 NPTM X 15"
P17	1814	PIPE, 1 1/4 NPTM X 17"
P19	1815	PIPE, 1 1/4 NPTM X 19"
P9	1812	PIPE, 1 1/4 NPTM X 9"
PA133	1827	PUMP, FOOT TREADLE
R600-2	1920	STEM, BLEEDER VALVE
S-41	1567	HINGE, FEMALE
SA100	1904	BEARING, 1.0 ID, FACE MOUNT
SA340	1903	BEARING, 3/4 ID, FACE MOUNT
SS424	1890	SHANK, ROUND / ROUND, STEEL
SW729	1907	TOOL, SPEED WRENCH
TH210	1981	TOOL, RAWHIDE REPLACEMENT FACE
TH310	1982	TOOL, HAMMER, RAWHIDE, 3LB
TS120	1905	SOCKET, 1/2 X 8 POINT, 1/2 DR
TS340	1906	SOCKET, 3/4 X 6 POINT, 1/2 DR
VG001	1975	TOOL, VICE GRIPS, 11", STEEL
VW300	1971	CASTER ONLY, 4" X 2" V GROOVE
VW600	1970	WHEEL, 2 X 6", V-GROOVE, STEEL
W013	1633	NUT, NYLOCK, 1/2-13
WC124	1969	CASTER, 10 X 3, GREEN, SWIVEL







**For over 50 years, Bricking Solutions has been manufacturing the custom rotary kiln refractory maintenance products that make up our Circle of Refractory Maintenance.**