



LENGTH GAUGE ROOM



GAUGE



APPLICATIONS

The gauge R00M is used to measure up to 4 lengths linked to wire feedout. (Eubama machines)

TECHNICAL CHARACTERISTICS

- Range of wire	Ø2,5 to Ø14mm
- Precision	± 15 µm
- Environment	Oil mist (bar feed area)

AMPLIFIER



MAIN FEATURES

Possibility to gauge up to 4 lengths

ACCESSORIES

- Protective enclosure
> REF : PC10

TECHNICAL CHARACTERISTICS

- Technology	Digital
- Amplifier power supply	110VAC/DC or 220VAC/DC
- Output relay power supply	48VAC/DC maxi
- Output voltage	Make + break relay: 1A maxi Static relay: 100mA maxi
- Operating temperature	0°C to + 50°C
- External dimensions	L 135mm, h 67,5mm, d 145mm
- Front panel dimensions	L 144mm, h 76mm, th 3mm
- Protection	IP65
- Unit of measure	mm or Inch
- Data output	Via RS232, ASCII format
- Language	English, German, Italian, Spanish, French

ENCODER

MAIN FEATURES

-absolute encoder
-bi-directional measurement capability

TECHNICAL CHARACTERISTICS

- Technology	RVDT
- Max. length	80 mm
- Cable diameter	5.3mm
- Cable length	2 m
- Resolution	0.61 µm
- Precision	± 2 µm

ACN



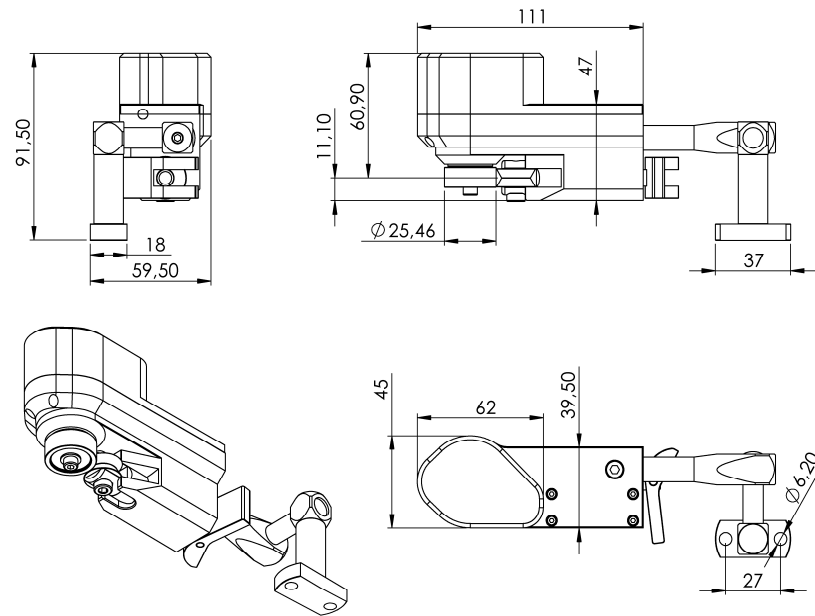
MAIN FEATURES

The ACN is used to digitize the camshaft rotation. It facilitates the adjustment of the timing of the measurement evaluation signal.

TECHNICAL CHARACTERISTICS

- Resolution	0.35°
- Precision	1°

DIMENSIONS



APPLICATIONS



ROOM - Eubama