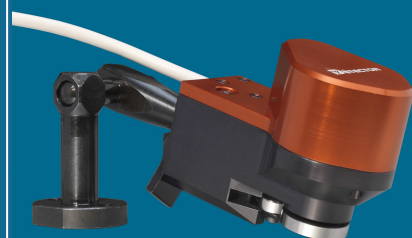




# LENGTH GAUGE R00



## GAUGE



### APPLICATIONS

The gauge R00 is used to measure up to 4 lengths linked to wire feedout. (Esco machines : D2,D4,D6 and D2CNC, D5CNC)

### TECHNICAL CHARACTERISTICS

|                 |                          |
|-----------------|--------------------------|
| - Range of wire | Ø0,5 to Ø6mm             |
| - Precision     | ± 15 µm                  |
| - Environment   | Oil mist (bar feed area) |

## AMPLIFIER



### MAIN FEATURES

Possibility to gauge up to 4 lengths

### ACCESSORIES

- Protective enclosure > REF : PC10

### TECHNICAL CHARACTERISTICS

|                             |   |
|-----------------------------|---|
| - Technology                | Digital   |
| - Amplifier power supply    | 110VAC/DC or 220VAC/DC                                  |
| - Output relay power supply | 48VAC/DC maxi   |
| - Output voltage            | Make + break relay: 1A maxi<br>Static relay: 100mA maxi |
| - Operating temperature     | 0°C to + 50°C   |
| - External dimensions       | L 135mm, h 67,5mm, d 145mm                              |
| - Front panel dimensions    | L 144mm, h 76mm, th 3mm                                 |
| - Protection                | IP65  |
| - Unit of measure           | mm or Inch  |
| - Data output               | Via RS232, ASCII format                                 |
| - Language                  | English, German, Italian, Spanish, French               |

## ENCODER

### MAIN FEATURES

-absolute encoder  
-bi-directional measurement capability

### TECHNICAL CHARACTERISTICS

|                  |         |
|------------------|---------|
| - Technology     | RVDT    |
| - Max. length    | 80 mm   |
| - Cable diameter | 5.3mm   |
| - Cable length   | 2 m     |
| - Resolution     | 0.61 µm |
| - Precision      | ± 2 µm  |

## ACN



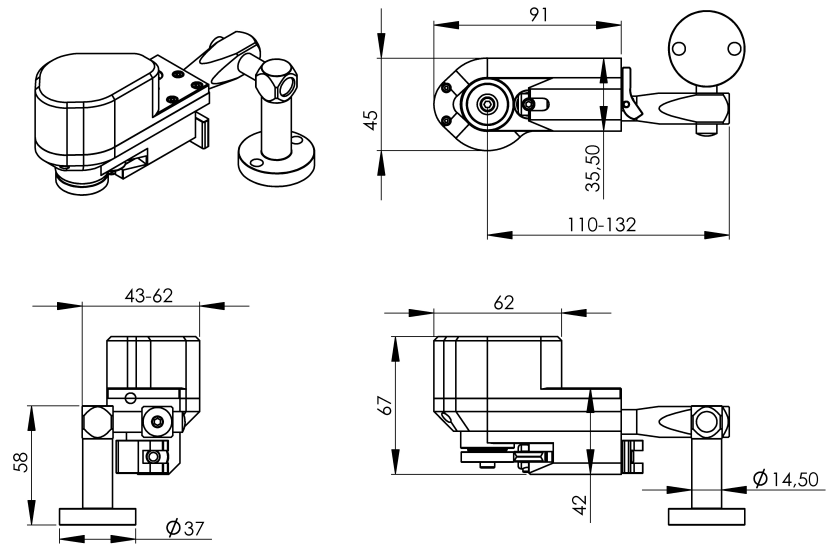
### MAIN FEATURES

The ACN is used to digitize the camshaft rotation. It facilitates the adjustment of the timing of the measurement evaluation signal.

### TECHNICAL CHARACTERISTICS

|              |       |
|--------------|-------|
| - Resolution | 0.35° |
| - Precision  | 1°    |

## DIMENSIONS



## APPLICATIONS



R00 - ESCO D2



R00 - ESCO D2 CNC



R00 - ESCO D5 CNC ULTRA