



# LENGTH GAUGE V00C12



## GAUGE



### APPLICATIONS

The gauge V00C12 is used to measure a part length at a station in a tool holder type 12mm square on a slide.

### TECHNICAL CHARACTERISTICS

- Precision	$\pm 5 \mu\text{m}$
- Environment	Oil, soluble

## AMPLIFIER



### MAIN FEATURES

Ability to connect 1 sensor (single channel version) or 2 sensors (dual channel version).

### ACCESSORIES

- Protective enclosure  
> REF : **PC10**
- Cable extension cord SUB-D15  
> REF : **PC04R015**

### TECHNICAL CHARACTERISTICS

- Technology	Digital
- Amplifier power supply	110VAC/DC or 220VAC/DC
- Output relay power supply	48VAC/DC maxi
- Output voltage	Make + break relay: 1A maxi Static relay: 100mA maxi
- Operating temperature	0°C to + 50°C
- External dimensions	L 135mm, h 67,5mm, d 145mm
- Front panel dimensions	L 144mm, h 76mm, th 3mm
- Protection	IP65
- Unit of measure	mm or Inch
- Data output	Via RS232, ASCII format
- Language	English, German, Italian, Spanish, French
- Measurement mode	Peak / peak controlled / stabilized

## SENSOR



### MAIN FEATURES

-Axial sensor  
-2 versions: standard (PC02A or PC02A15) or reinforced (PC02APR)

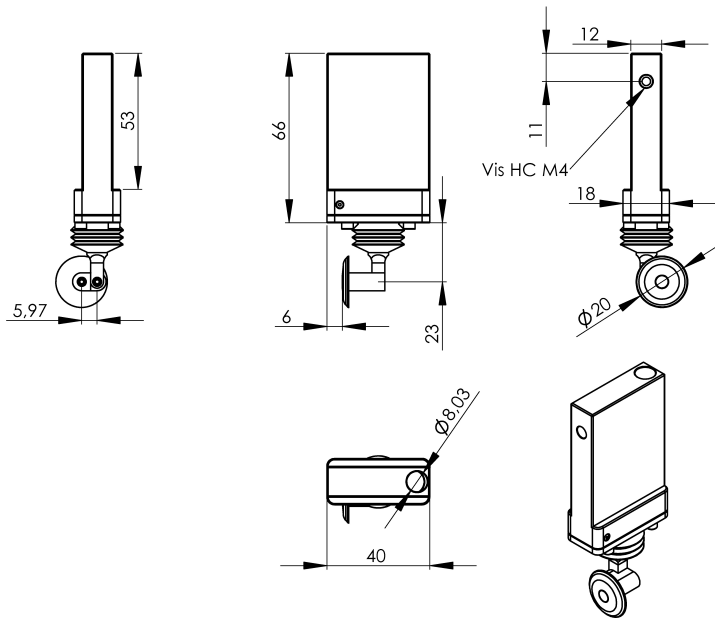
### ACCESSORIES

- Sensor extension cord 1,5m..... > REF : **PC08015**
- Sensor extension cord 5m..... > REF : **PC0805**
- Sensor extension cord 10m..... > REF : **PC0810**

### TECHNICAL CHARACTERISTICS

- Technology	LVDT
- Stroke	2 mm
- Cable diameter	8mm
- Cable length	4 m (PC02A + PC02APR) 1.5 m (PC02A15)

## DIMENSIONS



## APPLICATIONS

