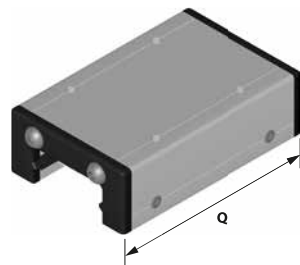




## Spare parts

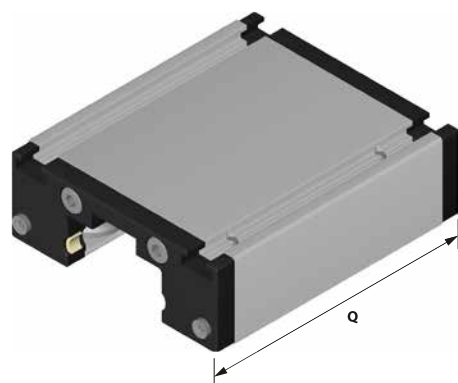
## Complete carriage EG



Additional complete carriage with V-slides and end plates.

Code-No.	Type	Q <sub>Standard</sub>	Q <sub>max.</sub>
04532	EG 30	82	1000
04542	EG 40	117	1000
04562	EG 60	165	1000
04582	EG 80	193	1000

## Complete carriage EL/ML



Additional complete carriage with rollers, eccentrics and wiper end plates for free rolling.

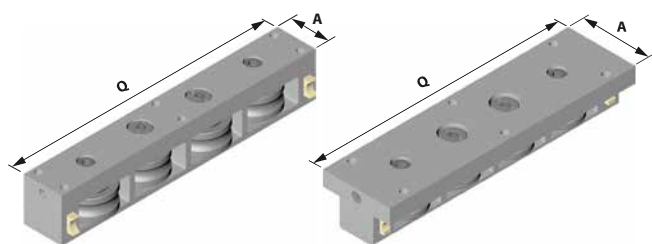
without Slider <sup>2)</sup>	Code-No.	Type	Q <sub>Standard</sub>	Q <sub>max.</sub>
	04531	EL 30	82	3000
	04541	EL 40	122	3000
	04561	EL/ML 60	168	3000
	04560	EL/ML 60S	194	3000
	04581	EL/ML 80	194	3000
	04580	EL/ML 80S	214	3000
	04511	EL/ML 100	300	2000

with Slider <sup>1)</sup>	Code-No.	Type	Q <sub>Standard</sub>	Q <sub>max.</sub>
	045311	EL 30	82	3000
	045411	EL 40	122	3000
	045611	EL 60	168	3000
	045601	EL 60S	194	3000
	045811	EL 80	194	3000
	045801	EL 80S	214	3000
	045111	EL 100	300	2000

1) ELT/K, ELVZ, ELHZ

2) ELZ, ELZT, ELZU, ELZA, ELZQ, MLZ

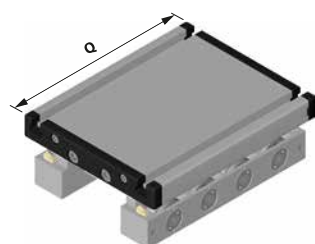
## Complete carriage UL



Carriage with rollers, eccentrics and end plates.

Code-No.	Type	A	Q
045471	UL 40	40	146
045472	UL 40	20	146
045671	UL 60	60	194
045672	UL 60	29	194
045871	UL 80	80	260
045872	UL 80	42	260

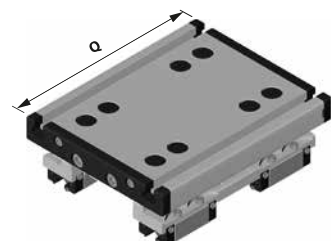
## Complete carriage DL



Standardcarriage with 2x4 rollers, eccentrics and end plates. Different versions by inquiry.

Code-No.	Type	Q <sub>Standard</sub>	Q <sub>max.</sub>
04591	DL 120	156	3000
04590	DL 160	200	3000
04592	DL 200	270	3000

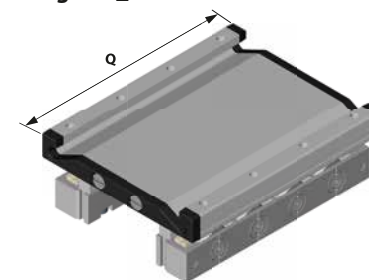
## Complete carriage DS



Carriage with four runner blocks and end plates. Different versions by inquiry.

Code-No.	Type	Q <sub>Standard</sub>	Q <sub>max.</sub>
045700	DS 120	156	3000
045710	DS 160	200	3000
045720	DS 200	270	3000

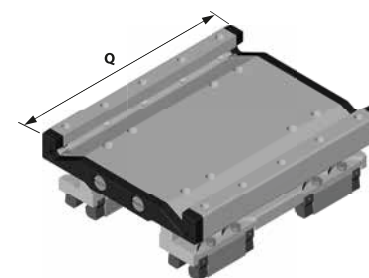
## Complete carriage DL\_P



Additional complete carriage with rollers, eccentrics and wiper end plates for free rolling. Different versions by inquiry.

Code-Nr.	Typ	Q <sub>Standard</sub>	Q <sub>max.</sub>
045904	DL 120 P	152	3000
045905	DL 160 P	196	3000
045906	DL 200 P	260	3000

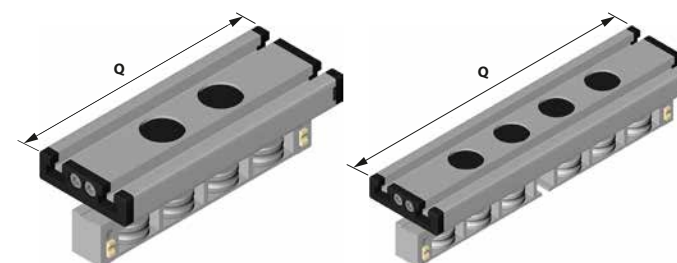
## Complete carriage DS\_P



Carriage with four runner blocks and end plates. Different versions by inquiry.

Code-Nr.	Typ	Q <sub>Standard</sub>	Q <sub>max.</sub>
045731	DS 120 P	152	3000
045733	DS 160 P	196	3000
045735	DS 200 P	248	3000

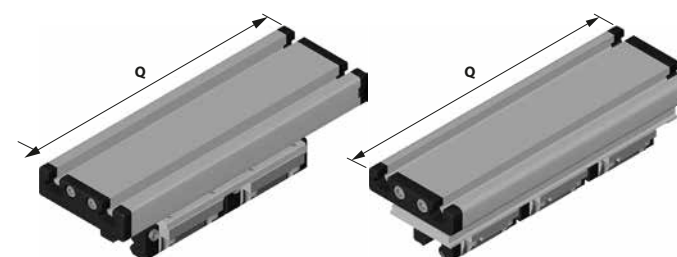
## Carriage QL



Carriage with rollers, eccentrics and end plates. Different versions by inquiry.

Code-Nr.	Type	Q <sub>Standard</sub>	Number of rollers
04593A	QL 60	152	4
04593B	QL 60	192	5
04593C	QL 60	232	2x2
04593D	QL 60	232	2x3
04594A	QL 80	196	4
04594B	QL 80	246	5
04594C	QL 80	296	2x2
04594D	QL 80	296	2x3
04595A	QL 100	260	4
04595B	QL 100	320	5
04595C	QL 100	388	2x2
04595D	QL 100	388	2x3

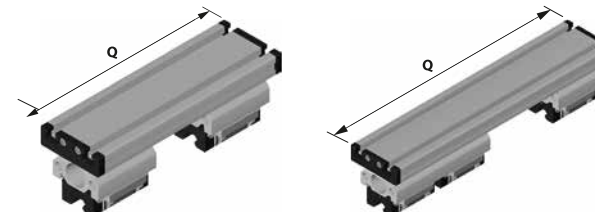
## Carriage QS



Carriage with 2 runner blocks and end plates. Different versions by inquiry.

Code-Nr.	Type	Q <sub>Standard</sub>	Number of Runnerblocks
045970	QS 60	177	2
045973	QS 60	242	3
045980	QS 80	232	2
045983	QS 80	312	3
045990	QS 100	268	2
045993	QS 100	362	3
04550	QS 125	300	2
045502	QS 125	365	3

## Carriage QST/K

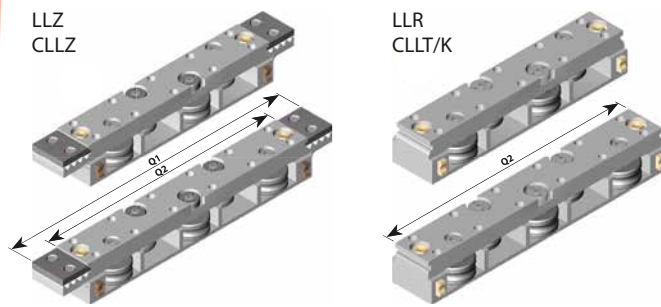


Carriage with 2 runner blocks and end plates without leading nut. Different versions by inquiry.

Code-Nr.	Type	Q <sub>Standard</sub>	Q <sub>max.</sub>
045974	QST/K 60	188	3000
045984	QST/K 80	250	3000
045997	QST/K 100	288	3000

1.2 Carriage LLZ / LLR / CLLZ / CLLT/K

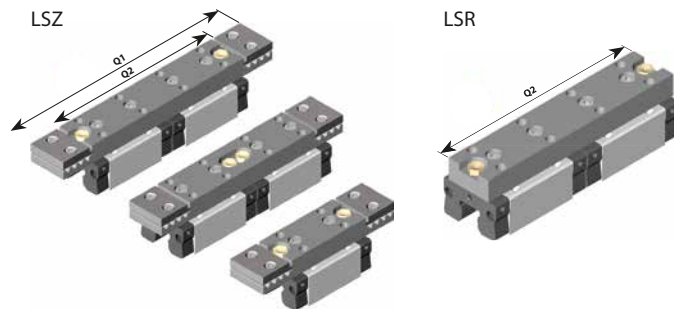
Carriage with 5 or 4 rollers.  
Standard version: 5 rollers



Code-No.	Type		Q1	Q2
045740-5	LLZ 40	5 rollers	152	120
045760-5	LLZ / CLLZ 60	5 rollers	215	175
045780-5	LLZ / CLLZ 80	5 rollers	320	251
045740-4	LLZ 40	4 rollers	130	98
045760-4	LLZ / CLLZ 60	4 rollers	184	144
045780-4	LLZ / CLLZ 80	4 rollers	260	191
045741-5	LLR 40	5 rollers	--	120
045761-5	LLR / CLLT/K 60	5 rollers	--	175
045781-5	LLR / CLLT/K 80	5 rollers	--	251
045741-4	LLR 40	4 rollers	--	98
045761-4	LLR / CLLT/K 60	4 rollers	--	144
045781-4	LLR / CLLT/K 80	4 rollers	--	191

1.2 Carriage LSZ 60 / LSR 60

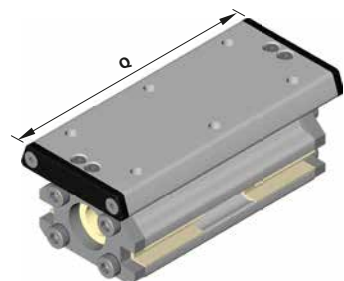
Carriage with 2 or 1 runner blocks.



Code-No.	Type	Runner blocks	Q1	Q2
045762-1	LSZ 60	2	160	116
045762-2	LSZ 60	2	140	96
045762-3	LSZ 60	1	100	56
045782-1	LSZ 80	2	219	149
045782-2	LSZ 80	2	204	134
045782-3	LSZ 80	1	146,5	76,5
045763-1	LSR 60	2	--	116
045763-2	LSR 60	2	--	96
045763-3	LSR 60	1	--	56
045783-1	LSR 80	2	--	149
045783-2	LSR 80	2	--	134
045783-3	LSR 80	1	--	76,5

1.2 Carriage complete GG / GDG

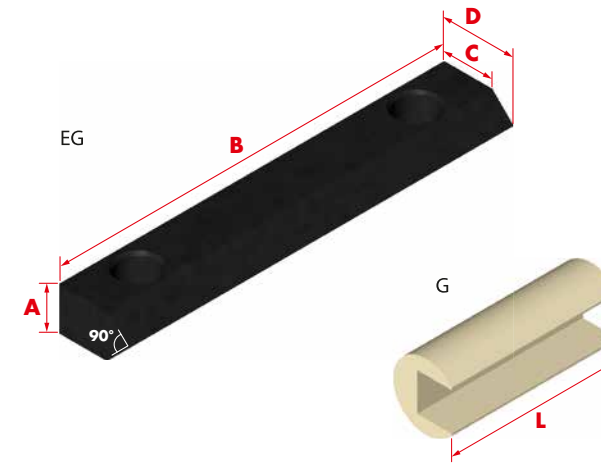
Complete carriage with slides and end plates.



Code-No.	Type	Q <sub>Standard</sub>	Q <sub>max.</sub>
045825	GG / GDG 90	170	400

1.2 V-slide EG

Made of low-wear plastic with good sliding characteristics.  
2 pieces per carriage.



Code-No.	Type	A	B <sub>max.</sub>	C	D
04233	30	9,3	1.000	-	17,6
04243	40	8	1.000	9	13
04263	60	10	1.000	16	21
04283	80	14	1.000	22	29

Made of low-wear plastic with good sliding characteristics.  
4 pieces per carriage.

Code-No.	Type	L
042835	G 90	45

1.2 Carriage roller

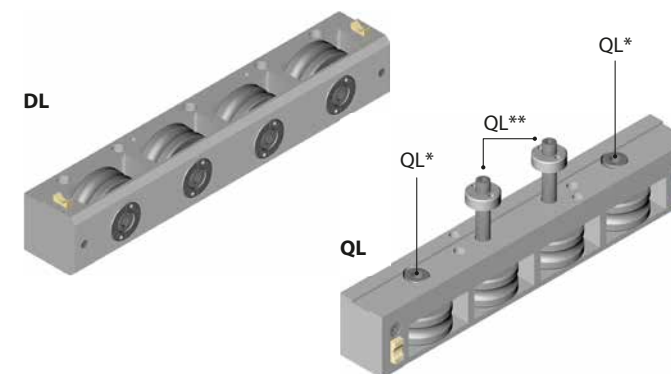
Standard roller. Stainless steel upon request.



Code-Nr.	Type	Name
04000	EL 30 / LL 40	LFR 687-2Z
04001	EL 40 / DL 120 / QL 60 CLL 60 / LL 60	LFR 608-2Z
04002	EL/ML 60 / DL 160 / QL 80	LR 10
04039	EL/ML 60S / DL 200 / QL 100 LL 80	LFR 5302-2Z
04003	EL/ML 80	LR 12
04038	EL/ML 80S	LFR 5202-12-2RS
04004	EL/ML 100	LFR 5204-16-2RS
04009	EL 125	LFR 5206-20-2Z

1.2 Carriage roller block DL / QL

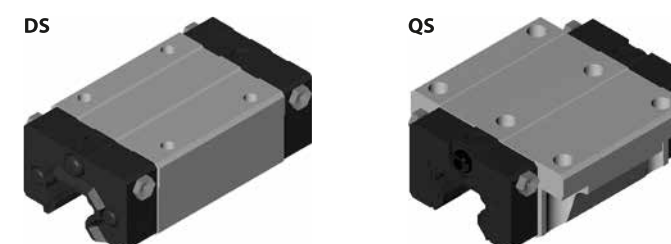
Made of aluminium, complete with rollers, eccentric and screws.



Code-No.	Type	Standard	By inquiry
04100	DL 120	4 rollers	3; 5; 2x3 rollers
04110	DL 160	4 rollers	3; 5; 2x3 rollers
04115	DL 200	4 rollers	3; 5; 2x3 rollers
04116	QL 60	4 rollers	5; 2x2; 2x3 rollers
04117	QL 80	4 rollers	5; 2x2; 2x3 rollers
04119	QL 100	4 rollers	5; 2x2; 2x3 rollers

\* for outside fixed roller  
\*\* for inner movable roller

1.2 Runner block for DS / QS / LS



Code-No.	Type
04150	QS 60
04152	QS 80
04154	QS 100
04155	QS 125
04156	DS 120
04157	DS 160 / LS 60
04158	DS 200
04159	LS 80
04160	LS 100

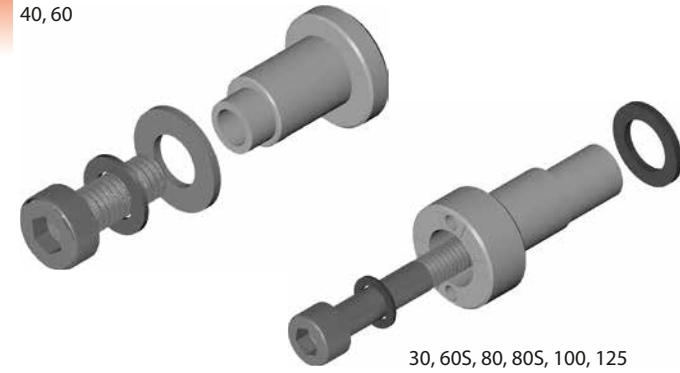


## Spare parts

Eccentric | Wiper end plates

### Eccentric EL/ML

40, 60

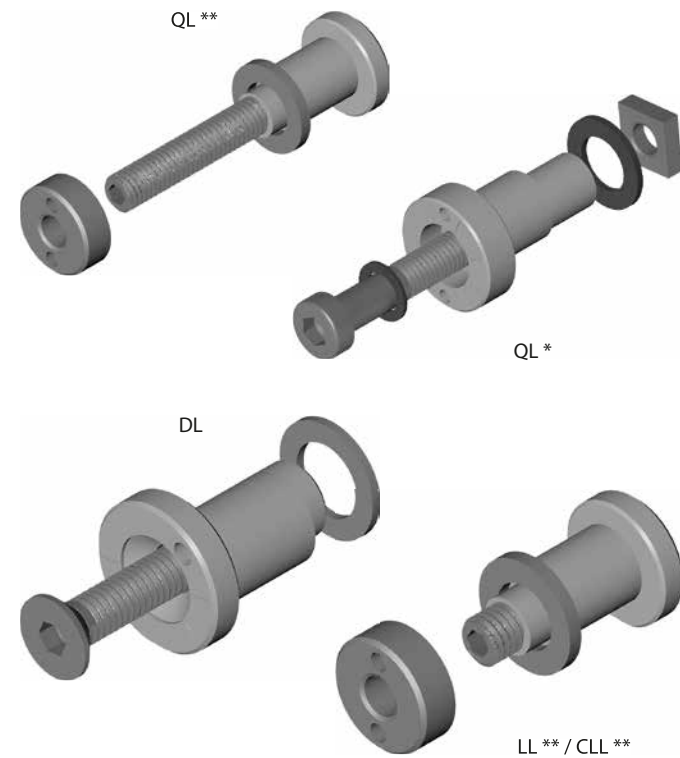


30, 60S, 80, 80S, 100, 125

Eccentric made of stainless steel with mounting accessories, screw, shims and safety washer.

Code-No.	Type	For roller
04050	EL 30	LFR 687-2Z
04051	EL 40	LFR 608-2Z
04052	EL/ML 60	LFR 5201-2Z
040521	EL/ML 60S	LFR 5302-2Z
04053	EL/ML 80	LFR 5201-12-2Z
04049	EL/ML 80S	LFR 5202-12-2RS
04054	EL 100	LFR 5204-16-2RS
04055	EL 125	LFR 5206-20-2Z

### Eccentric DL / QL / LL / CLL

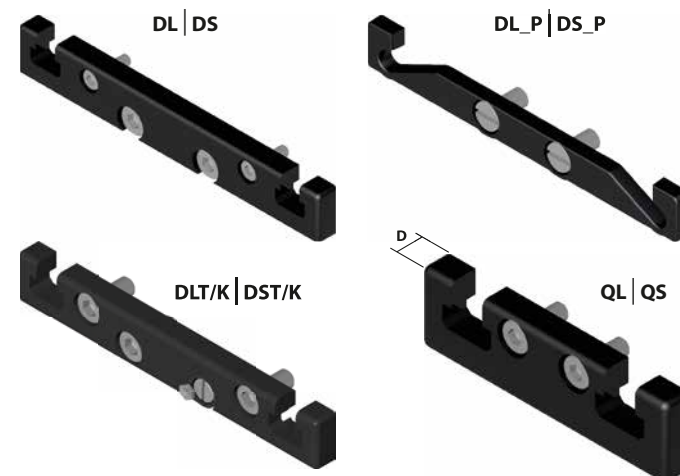


Eccentric made of stainless steel with mounting set, screw, shims and safety washer. The front side has an embossed marking to enable uniformly adjustment of rollers.

Code-No.	Type	For roller
04057	DL 120	LFR 608-2Z
04058	DL 160	LFR 5201-2Z
04059	DL 200	LR 5302-2Z
06060	QL 60*	LFR 608-2Z
06061	QL 60**	LFR 608-2Z
06080	QL 80*	LFR 5201-2Z
06081	QL 80**	LFR 5201-2Z
06010	QL 100 / LL / CLL 80*	LR 5302-2Z
06011	QL 100 / LL / CLL 80**	LR 5302-2Z
06064	LL 40	LFR 687-2Z
06060	LL / CLL 60*	LFR 608-2Z
06065	LL / CLL 60**	LFR 608-2Z

\* for outside fixed roller  
 \*\* for inner movable roller  
 For arrangement of the different rollers see „carriage roller block“ above.

### Wiper end plate DL / DS - QL / QS



Code-No.	Type	D	Material
04211	DL/DS 120	8	ABS
04212	DL/DS 160	10	ABS
04213	DL/DS 200	15	ABS
042111	DLT/K / DST/K 120	8	ABS
042121	DLT/K / DST/K 160	10	ABS
042131	DLT/K / DST/K 200	15	ABS
042110	DL_P/DS_P 120	6	ABS
042120	DL_P/DS_P 160	8	ABS
042130	DL_P/DS_P 200	8	ABS
04267	QL/QS 60	6	ABS
04287	QL/QS 80	8	ABS
04217	QL/QS 100	10	ABS
04218	QL/QS 125	15	AL

## Spare parts

for carriage

### Tool for eccentric adjustment



Fix tool			Adjust tool	
Type	Code-No.	Dimension	Code-No.	Dimension
EL 30	09019	T 10	09030	LK 9,5 ø 1,3
EL 30	09020	SW 2	09030	LK 9,5 ø 1,3
EL 40	09021	SW 4	09022	SW 5
EL 60	09022	SW 5	09023	SW 6
EL 60S	09023	SW 6	09036	LK 20 ø 2
EL 80	09022	SW 5	09031	LK 15 ø 2
EL 80S	09023	SW 6	09036	LK 20 ø 2
EL 100	09023	SW 6	09032	LK 24 ø 3
EL 125	09024	SW 8	09033	LK 32 ø 4

Fix tool			Adjust tool	
Type	Code-No.	Dimension	Code-No.	Dimension
DL 120	09025	SW 3	09034	LK 10,5 ø 1,3
DL 160	09021	SW 4	09031	LK 15 ø 2
DL 200	09023	SW 6	09036	LK 20 ø 2
LL 60	09038	LK 8 ø 1,5	09026	SW 2,5
QL 60	09021	SW 4	09022	SW 5
QL 80	09037	LK 10 ø 2	09025	SW 3
	09022	SW 5	09023	SW 6
LL 80	09035	LK 13 ø 2,5	09021	SW 4
QL 100	09023	SW 6	09036	LK 20 ø 2

### End plates EG



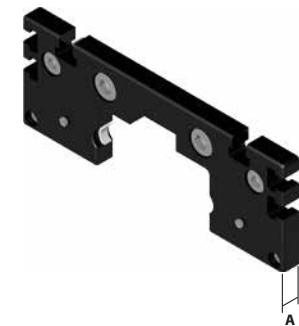
Material ABS.

without slider		
Code-No.	Type	A
04241	EG 40	5
04261	EG 60	6
04281	EG 80	6

with slider		
Code-No.	Type	A
04246	EG 40	5
04266	EG 60	6
04286	EG 80	6

with slider and output for grease nipple		
Code-No.	Type	A
042661	EG 60	6
042861	EG 80	6

### Wiper end plate complete for EL/ML



Material ABS.

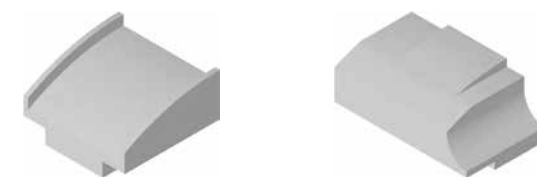
without slider <sup>1)</sup>		
Code-Nr.	Type	A
04230	EL 30	6
04240	EL 40	11
04260	EL/ML 60	12
04268	EL/ML 60S	12
04280	EL/ML 80	12
04288	EL/ML 80S	12
04210	EL/ML 100	15
04220	EL 125	15

with slider <sup>2)</sup>		
Code-Nr.	Type	A
04234	EL 30	6
04244	EL 40	11
04264	EL 60	12
04269	EL 60S	12
04284	EL 80	12
04289	EL 80S	12
04214	EL100	15
04224	EL125	15

with slider and output for grease nipple <sup>3)</sup>		
Code-Nr.	Type	A
042641	EL 60	12
042691	EL 60S	12
042841	EL 80	12
042891	EL 80S	12
042141	EL 100	15
042241	EL 125	15

1) ELZ, ELZT, ELZU, ELZA, ELZQ, MLZ 2) ELT/K, ELVZ, ELHZ 3) ELT/K

### Slider for ELT / ELK | Slider set for DLT/K - DST/K

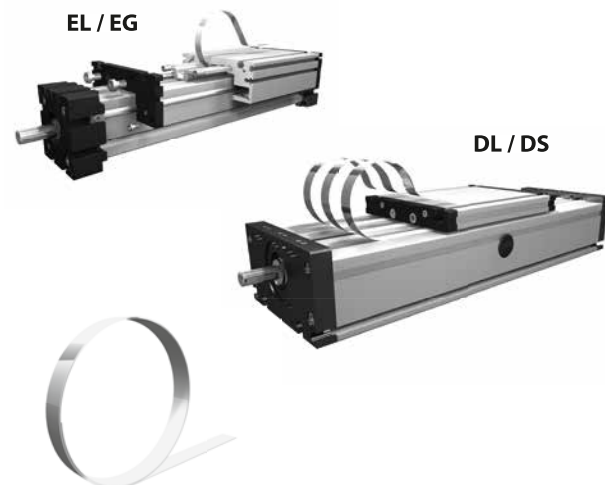


When changing the cover band, it is necessary to replace the slide.

ELT / ELK	
Code-No.	Type
03132	EL 30
03142	EL 40
03162	EL 60

DLT/K - DST/K	
Code-No.	Type
03164	120
03184	160
03114	200

## Cover band



Spring steel (stainless steel)

Code-No.	Type	A x B
01020....	EL/EG 30	8 x 0,15
01021....	EL/EG 40/60/80 DL/DS 120	13,5 x 0,3
01026....	DL/DS 160	17,3 x 0,3
01022....	EL 100/125 DL/DS 200	22 x 0,3
01023	QST/K 60	24 x 0,3
01024	QST/K 80	32,3 x 0,3
01025	QST/K 100	38,5 x 0,3

Code-No. length in mm

01026	2300
-------	------

Sample ordering code:

Cover band 17,3 x 0,3 2.300 mm long.

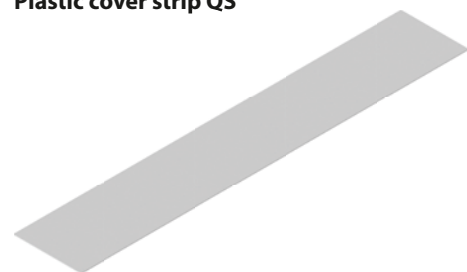
## Cover band PU GG | GD



Suitable for temperature ranges from -35 to +80°C

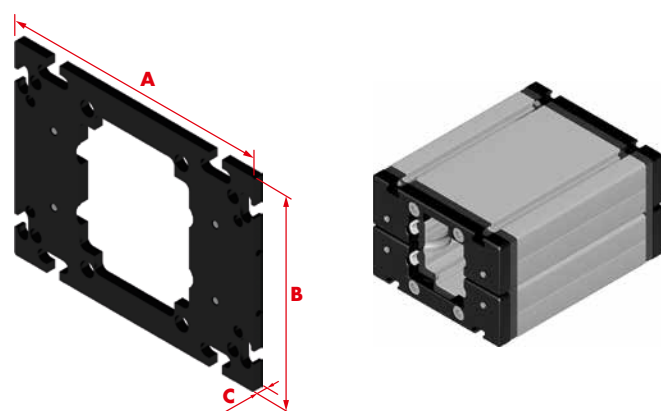
Code-No.	Material	Type
01037	PAS-PU 92A-H	GG, GD 90

## Plastic cover strip QS



Code-No.	Type	Material	Length	for carriage
01033	QSK 60	Mylar A 500	146	Q = 177
01034	QSK 80	Mylar A 500	212	Q = 250
01035	QSK 100	Mylar A 500	220	Q = 288

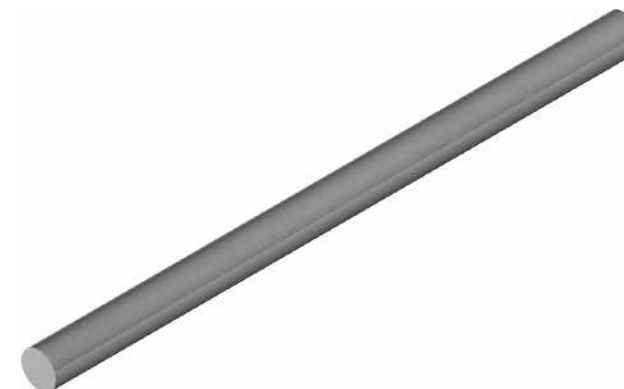
## Jointing plate for closed carriage



Aluminium plate with connection bores.

Code-No	Type	A	B	C
03045	EG 40	70	70	8
03065	EG 60	100	98	8
03085	EG 80	140	140	8
03036	EL 30	70	52	6
03046	EL 40	100	70	8
03066	EL/ML 60	144	98	8
03067	EL/ML 60S	170	106	10
03086	EL/ML 80	170	140	8
03087	EL/ML 80S	190	142	10
03016	EL 100	230	180	8
03026	EL 125	295	215	12

## Guide rod



Code-No.	Type	Ø	Material	Hardness
04131....	EL/EG 30 LL 40	5 <sub>h6</sub>	Cf 53	HRC 62
04132....	EL/EG 30 LL 40	5 <sub>h6</sub>	x 90 CrMoV18	HRC 56
04141....	EL 40 / DL 120 LL 60 / CLL 60 QL 60	6 <sub>h6</sub>	Cf 53	HRC 62
04142....	EL 40 / DL 120 LL 60 / CLL 60 QL 60	6 <sub>h6</sub>	x 90 CrMoV18	HRC 56
04161....	EL 60 (S) DL 160/200 LL 80 / CLL 80 QL 80/100	10 <sub>h6</sub>	Cf 53	HRC 62
04162....	EL 60 (S) DL 160/200 QL 80/100	10 <sub>h6</sub>	x 90 CrMoV18	HRC 56
04181....	EL 80 (S)	12 <sub>h6</sub>	Cf 53	HRC 62
04182....	EL 80 (S)	12 <sub>h6</sub>	x 90 CrMoV18	HRC 56
04111....	EL 100	16 <sub>h6</sub>	Cf 53	HRC 62
04112....	EL 100	16 <sub>h6</sub>	x 90 CrMoV18	HRC 56
04113....	EL 125	20 <sub>h6</sub>	Cf 53	HRC 62
04114....	EL 125	20 <sub>h6</sub>	x 90 CrMoV18	HRC 56

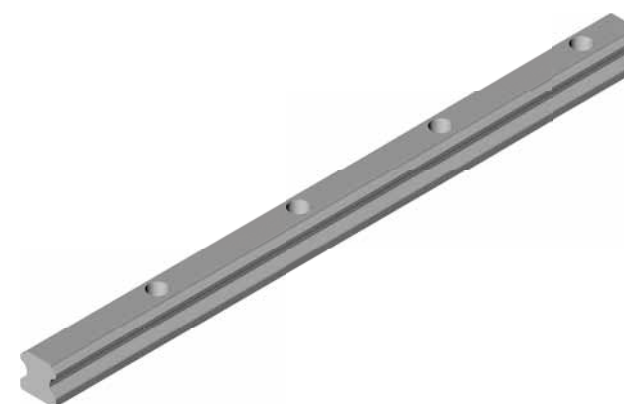
Code-No. length in mm

04131	2000
-------	------

Sample ordering code:

Guiding rod steel ø 5 2.000 mm long.

## Guide rail



Code-No.	Type	Size
04147-2	Q 60	15
04148-2	Q 80	20
04149-2	Q 100	25
04160-2	Q 125	30
04156-2	D 120	12
04157-2	D 160	15
04158-2	D 200	25
04147-2	L 60	15
04148-2	L 80	20

Code-No. length in mm

04146-2	2000
---------	------

Sample ordering code:

Guide rail 2.000 mm long.

## Trapezoidal spindle



Code-No.	Type	Pitch	Unit length L <sub>max</sub>
04609....	EL/EG 30	10x03 R	1.500 mm
04629....	EL/EG 30	10x03 L	1.500 mm
04600....	EL/EG 40	18x0	3.000 mm
04620....	EL/EG 40	18x04 L	3.000 mm
04640....	DL/DS 120 / QS 60	18x04 R	3.000 mm
04650....	DL/DS 120 / QS 60	18x04 L	3.000 mm
04601....	EL/EG 40	18x08 R	3.000 mm
04621....	EL/EG 40	18x08 L	3.000 mm
04641....	DL/DS 120 / QS 60	18x08 R	3.000 mm
04651....	DL/DS 120 / QS 60	18x08 L	3.000 mm
04602....	EL/EG 60	24x05 R	3.000 mm
04622....	EL/EG 60	24x05 L	3.000 mm
04642....	DL/DS 160 / QS 80	24x05 R	3.000 mm
04652....	DL/DS 160 / QS 80	24x05 L	3.000 mm
04603....	EL/EG 60	24x10 R	3.000 mm

Code-No. unit length in mm

04603	1000
-------	------

Sample ordering code:

Trapezoidal spindle Tr 24x10 right, unit length 1000 mm.

## Trapezoidal screw made of RG 7



Code-No.	Type	Pitch
04332	EL/EG 30	10x03 R
04333	EL/EG 30	10x03 L
04340	EL/EG 40 / DL/DS 120 / QS 60	18x04 R
04341	EL/EG 40 / DL/DS 120 / QS 60	18x04 L
04342	EL/EG 40 / DL/DS 120 / QS 60	18x08 R
04343	EL/EG 40 / DL/DS 120 / QS 60	18x08 L
04360	EL/EG 60 / DL/DS 160 / QS 80	24x05 R
04361	EL/EG 60 / DL/DS 160 / QS 80	24x05 L
04362	EL/EG 60 / DL/DS 160 / QS 80	24x10 R
04363	EL/EG 60 / DL/DS 160 / QS 80	24x10 L
04380	EL/EG 80(S)	28x05 R

Code-No.	Type	Pitch	Unit length L <sub>max</sub>
04623....	EL/EG 60	24x10 L	3.000 mm
04643....	DL/DS 160 / QS 80	24x10 R	3.000 mm
04643....	DL/DS 160 / QS 80	24x10 L	3.000 mm
04604....	EL/EG 80(S)	28x05 R	3.000 mm
04624....	EL/EG 80(S)	28x05 L	3.000 mm
04605....	EL/EG 80(S)	28x10 R	3.000 mm
04625....	EL/EG 80(S)	28x10 L	3.000 mm
04606....	EL / QS 100 DL/DS 200	32x06 R	4.500 mm
04626....	EL / QS 100 DL/DS 200	32x06 L	3.000 mm
04607....	EL / QS 100 DL/DS 200	32x12 R	3.000 mm
04627....	EL / QS 100 DL/DS 200	32x12 L	3.000 mm
04630....	EL 125	40x07 R	4.000 mm
04631....	EL 125	40x07 L	3.000 mm
04632....	EL 125	40x14 R	3.000 mm
04633....	EL 125	40x14 L	3.000 mm

Code-No.	Type	Pitch
04381	EL/EG 80(S)	28x05 L
04382	EL/EG 80(S)	28x10 R
04383	EL/EG 80(S)	28x10 L
04310	EL / QS 100 / DL/DS 200	32x06 R
04311	EL / QS 100 / DL/DS 200	32x06 L
04312	EL / QS 100 / DL/DS 200	32x12 R
04313	EL / QS 100 / DL/DS 200	32x12 L
04320	EL 125	40x07 R
04321	EL 125	40x07 L
04322	EL 125	40x14 R
04323	EL 125	40x14 L

## Ball screw spindle



Code-No.	Type	Pitch	Unit length L <sub>max</sub>
04610....	EL/EG 30	Kg 08x2,5 R	2.000 mm
04611....	EL/EG 40	Kg 16x05 R	3.000 mm
04612....	EL/EG 40	Kg 16x10 R	3.000 mm
04613....	EL/EG 60	Kg 20x20 R	3.000 mm
04614....	EL/EG 60	Kg 25x05 R	3.000 mm
04615....	EL/EG 60	Kg 25x10 R	3.000 mm
04631....	EL/EG 60	Kg 20x05 L	3.000 mm
04661....	DL/DS 120 / QS 60	Kg 16x05 R	3.000 mm
04661H	CLL 60	Kg 16x05 R	3.000 mm
04662....	DL/DS 120 / QS 60	Kg 16x10 R	3.000 mm
04662H	CLL 60	Kg 16x10 R	3.000 mm
04663....	DL/DS 120 / QS 80 DL/DS 160	Kg 20x20 R	3.000 mm
04667....	DL/DS 120 / QS 60	Kg 16x16 R	3.000 mm
04667H	CLL 60	Kg 16x16 R	3.000 mm

Code-Nr. unit length in mm

04617	1000
-------	------

Sample ordering code:

Ball screw spindle 32x05 right, unit length 1.000 mm.

## Ball screw nut



Code-No.	Type	Pitch	first greasing	re-greasing*
04430	EL/EG 30	Kg 08x2,5 R	0,02 g	0,01 g
04440	EL/EG 40 DL/DS 120 QS 60	Kg 16x05 R	4,0 g	1,3 g
04440H	CLL 60	Kg 16x05 R	4,0 g	1,3 g
04441	EL/EG 40 DL/DS 120 QS 60	Kg 16x10 R	2,5 g	0,8 g
04441H	CLL 60	Kg 16x10 R	2,5 g	0,8 g
04442	DL/DS 120 QS 60	Kg 16x16 R	2,0 g	0,6 g
04442H	CLL 60	Kg 16x16 R	2,0 g	0,6 g
04460	EL/EG 60 DL/DS 120 DL/DS 160 QS 80	Kg 25x05 R	6,0 g	2,0 g
04461	EL/EG 60 DL/DS 120 DL/DS 160 QS 80	Kg 25x10 R	8,0 g	2,6 g
04462	EL/EG 60 DL/DS 120 DL/DS 160 QS 80	Kg 20x20 R	8,0 g	2,6 g

\* after approx. 500 hours

Code-No.	Type	Pitch	Unit length L <sub>max</sub>
04664....	DL/DS 120 DL/DS 160 QS 80	25x05R	3.000 mm
04665....	DL/DS 120 DL/DS 160 QS 80	25x10 R	3.000 mm
04616....	EL/EG 80(S)	25x25 R	3.000 mm
04666....	DL/DS 120 DL/DS 160	25x25 R	3.000 mm
04617....	EL/EG 80(S) EL/QS 100 DL/DS 200	32x05 R	3.000 mm
04684....	EL/EG 80(S) EL/QS 100 DL/DS 200	32x05 L	3.000 mm
04618....	EL/EG 80(S) EL/QS 100 DL/DS 200	32x10 R	3.000 mm
04683....	EL 100 DL/DS 200	32x20 R	3.000 mm
04619....	EL 100 DL/DS 200	32x32 R	3.000 mm
04634....	EL 125	40x10 R	3.000 mm
04635....	EL 125	40x20 R	3.000 mm
04636....	EL 125	40x40 R	3.000 mm

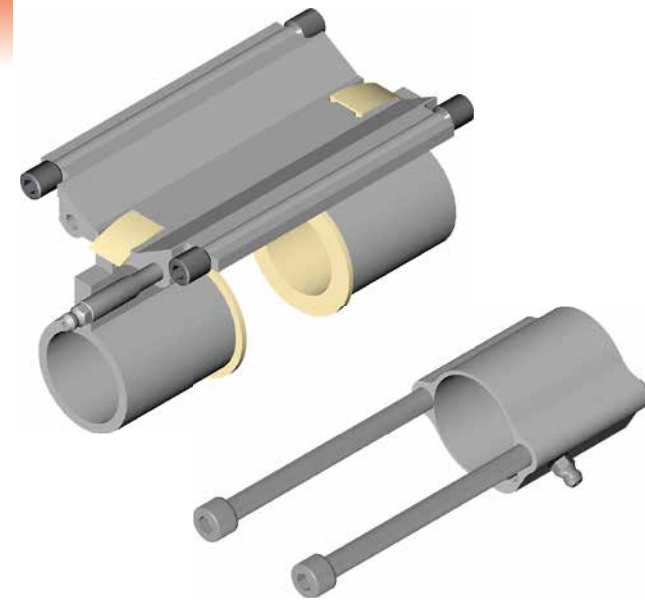
Code-No.	Type	Pitch	first greasing	re-greasing*
04463	EL/EG 60	20x05 L	5,0 g	2,0 g
04464	EL/EG 80(S)	25x25 R	10,0 g	3,0 g
04464-1	DL/DS 160	25x25 R	10,0 g	3,0 g
04480	EL/EG 80(S) EL/QS 100 DL/DS 200	32x05 R	8,0 g	3,0 g
04485	EL/EG 80(S) EL/QS 100 DL/DS 200	32x05 L	8,0 g	3,0 g
04481	EL/EG 80(S) EL/QS 100 DL/DS 200	32x10 R	11,0 g	4,0 g
04483	EL 100 DL/DS 200	32x20 R	11,8 g	4,0 g
04482	EL 100 DL/DS 200	32x32 R	12,6 g	4,0 g
04420	EL 125	40x10 R	25,0 g	8,3 g
04421	EL 125	40x20 R	29,0 g	9,6 g
04422	EL 125	40x40 R	34,0 g	011,3 g



# Spare parts

Leading nut receiver | Cover caps

## Leading nut receiver



### Ballscrew EL/EG

Code-No.	Type
03130	30
03140	40
03160	60(S)
03180	80(S)
03110	100
03120	125

### Trapezoidal EL/EG

Code-No.	Type
03131	30
03141	40
03161	60(S)
03181	80(S)
03111	100
03121	125

### Ballscrew DL/DS

Code-No.	Type
03163	120
03183	160
03113	200

### Trapezoidal DL/DS

Code-No.	Type
03168	120
03188	160
03118	200

### Ballscrew QS

Code-No.	Type
03167	60
03187	80
03117	100

### Trapezoidal QS

Code-No.	Type
03166	60
03186	80
03116	100

## Cover caps

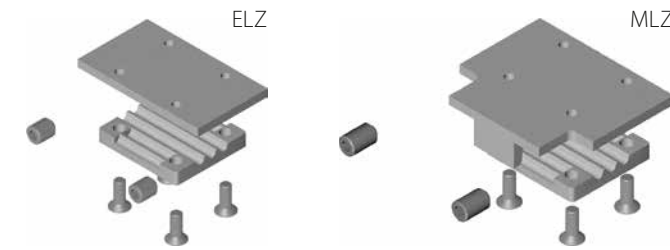


Code-No.	Type	D	Position
04206	CLL 60 LL/LS 60 - 80	15	Bearing-block
	QL/QS 60		Servicing bores
04205	ELK 30	19	Bearing-block
	QL/QS 80 - 100, DL/DS 120		Servicing bores
	QL 60		Carriage
04235	ELZ 30	28	Pulley-block
	ELT/K 40, EGT/K 40, W 16		Bearing-block
	DL/DS 160 - 200		Servicing bores
	QL 80 - 100		Carriage
04245	ELZ 40, ELHZ 60, ELVZ 60	37	Pulley-block
04265	LL/LS 60, G 90 ELZ/MLZ 60, ELHZ 80, ELVZ80, DLZ 120, QLZ/QSZ 60	47	Pulley-block
04285	CLL 60, LL/LS 80 ELZ/MLZ 80, ELHZ 100, ELVZ 100, DLZ/DSZ 160, QLZ/QSZ 80	68	Pulley-block
04215	ELZ/MLZ 100, DLZ/DSZ 200, QLZ/QSZ 100	90	Pulley-block
04225	ELZ 125 / QS 125	110	Pulley-block
042650	D 120, Q 60	32	Bearing-block
042850	D 160, Q 80	40	Bearing-block
042150	D 200, Q 100	52	Bearing-block

# Spare parts

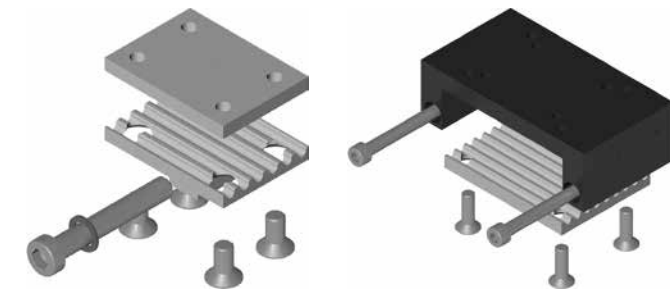
Belt adjusters

## Belt adjuster ELZ / MLZ



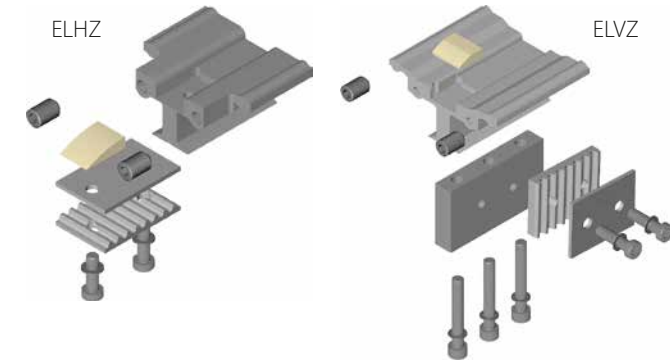
Code-No.	Type	Material
04060	30	Zinc coated steel
04061	40	Zinc coated steel
04062	ELZ 60(S)	Zinc coated steel
040621	MLZ 60(S)	Zinc coated steel
04063	ELZ 80(S)	Zinc coated steel
040631	MLZ 80(S)	Zinc coated steel
04064	ELZ 100	Zinc coated steel
040641	MLZ 100	Zinc coated steel
04065	125	Zinc coated steel

## Belt adjuster ELSZ



Code-No.	Type	Material
04071	30/40	Zinc coated steel
04076	30/40	Nickel faced steel
04072	60(S)	Zinc coated steel
04072HD	60(S)HD	Zinc coated steel
04077	60(S)	Nickel faced steel
04077HD	60(S)HD	Nickel faced steel
04073	80(S)	Zinc coated steel
04073HD	80(S)	Zinc coated steel
04078	80(S)	Nickel faced steel
04078HD	80(S)HD	Nickel faced steel
04074	100	Zinc coated steel
04079	100	Nickel faced steel
04079HD	100HD	Nickel faced steel
04070	125	Zinc coated steel
04075	125	Zinc coated steel
04075HD	125HD	Zinc coated steel

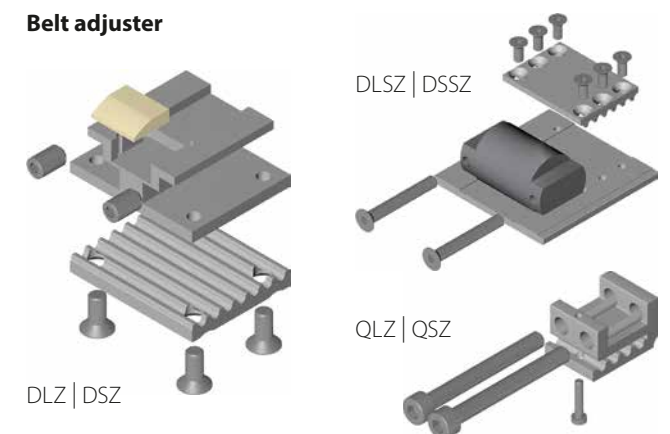
## Belt adjuster ELHZ / ELVZ



Code-No.	Type	Material
04080	ELHZ 60(S)	Black anodized Al and zinc coated steel
04081	ELHZ 80(S)	Black anodized Al and zinc coated steel
04082	ELHZ 100	Black anodized Al and zinc coated steel
04083	ELHZ 125	Black anodized Al and zinc coated steel

Code-No.	Type	Material
04090	ELVZ 60(S)	Black anodized Al and zinc coated steel
04091	ELVZ 80(S)	Black anodized Al and zinc coated steel
04092	ELVZ 100	Black anodized Al and zinc coated steel
04093	ELVZ 125	Black anodized Al and zinc coated steel

## Belt adjuster



Code-No.	Type	Material
04084	DLZ/DSZ 120	Nature anodized Al and zinc coated steel
04086	DLZ/DSZ 160	Nature anodized Al and zinc coated steel
04085	DLZ/DSZ 200	Nature anodized Al and zinc coated steel
040861	DLZ/DSZ 160 HD	Nature anodized Al and zinc coated steel
040851	DLZ/DSZ 200 HD	Nature anodized Al and zinc coated steel
04066	DLSZ 120	Zinc coated steel
04067	DLSZ/DSSZ 160	Zinc coated steel
04087	QLZ/QSZ 60	Nature anodized Al
04088	QLZ/QSZ 80	Nature anodized Al
04089	QLZ/QSZ 100	Nature anodized Al
04094	QSZ 125	Nature anodized Al

# Spare parts

Toothed belts

**Toothed belt** Toothed belts are available by the meter. Temperature resistant from -10 °C to 50 °C, please call outside this Temperature range our technical service.



Belt with steel reinforcement PU HP PAZ		
Code No.	Type	Toothed belt
00531	ELZ 30	3M 12
00532	ELZ 40	5M 15
00534	ELZ/ML 60 (S)	5M 25
00536	ELZ/ML 80 (S)	8M 30
00538	ELZ/ML 100	8M 50
00540	ELZ 125	8M 70

00531	ELZG 30	3M 12
00532	ELZG 40	5M 15
00534	ELZG 60 (S)	5M 25
00536	ELZG 80 (S)	8M 30

00542	ELZZ 60 (S)	5M 09
00543	ELZZ 80 (S)	8M 12
00544	ELZZ 100	8M 20
00536	ELZZ 125	8M 30

00546	ALLZ 203	8M 100
00546	ALLZ 204	8M 100

00534	DLZ / DSZ 120	5M 25
00536	DLZ / DSZ 160	8M 30
00538	DLZ / DSZ 200	8M 50
00538	DLZ / DSZ 160 HD	8M 50
00540	DLZ / DSZ 200 HD	8M 70

00534	QLZ / QSZ 60	5M 25
00536	QLZ / QSZ 80	8M 30
00538	QLZ / QSZ 100	8M 50
00540	QSZ 125	8M 70

00534	DLZPVI / DSZPVI 120	5M 25
00536	DLZPVI / DSZPVI 160	8M 30
00538	DLZPVI / DSZPVI 200	8M 50

00547	LLZ / LSZ 60	5M 30
00548	LLZ / LSZ 80	8M 30

00529	WGVZ / WKVZ 16	3M 11,4
-------	----------------	---------

Code-No length in mm

00534	5000
-------	------



Sample ordering code:  
Belt 5M 25, PU HP PAZ, 5m long

Belt with steel reinforcement PU HP PAZ		
Code No.	Type	Toothed belt
005341	DLVZ 120	5M 25
005341	DLVZ 160	5M 25

005341	ELHZ / ELVZ 60	5M 25
005341	ELHZ / ELVZ 80 (S)	5M 25
005451	ELHZ / ELVZ 100	8M 48
005381	ELHZ / ELVZ 125	8M 50

00531	ELZU 30	3M 12
00532	ELZU 40	5M 15
00534	ELZU 60 (S)	5M 25
00536	ELZU 80 (S)	8M 30
00538	ELZU 100	8M 50

00532	ELZI 30	5M 15
00534	ELZI 40	5M 25
00536	ELZI 60	8M 30

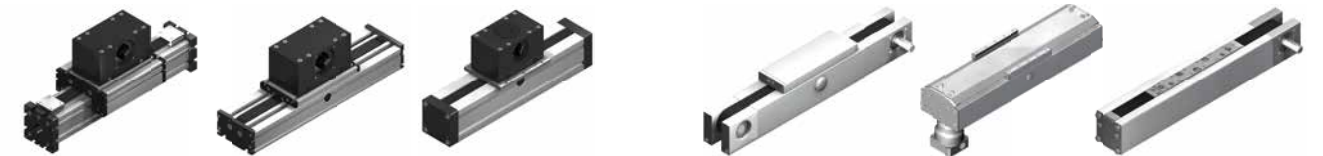


Ex - protection ATEX PU HP PAZ PAR antistatic		
Code No.	Type	Toothed belt
00532EX	ELZ 40	5M 15
00534EX	ELZ 60/60S	5M 25
00536EX	ELZ 80/80S	8M 30
00538EX	ELZ 100	8M 50
00540EX	ELZ 125	8M 70
00536EX	ELFZ 60 S	8M 30
00538EX	ELFZ 80 S	8M 50
00540EX	ELFZ 100	8M 70
00546EX	ELFZ 125	8M 100
00547EX	LLZ 60	5M 30

# Spare parts

Toothed belts

**Toothed belt** Toothed belts are available by the meter. Temperature resistant from -10 °C to 50 °C, please call outside this Temperature range our technical service.



Ω - redirection pulley block steel reinforcement PU HP PAZ		
Code No.	Type	Toothed belt
00536	ELFZ 60 S	8M 30
00538	ELFZ 80 S	8M 50
00540	ELFZ 100	8M 70
00546	ELFZ 125	8M 100

00531	ELSZ 30	3M 12
00532	ELSZ 30 HD	5M 15
00532	ELSZ / ELSZ 40	5M 15
00534	ELSZ / ELSZ 40 HD	5M 25
00534	ELSZ / ELSZ 60 (S)	5M 25
00537	ELSZ / ELSZ 60 (S) HD	8M 30
00536	ELSZ / ELSZ 80 (S)	8M 30
00538	ELSZ / ELSZ 80 (S) HD	8M 50
00538	ELSZ / ELSZ 100	8M 50
00540	ELSZ / ELSZ 100 HD	8M 70
00540	ELSZ 125	8M 70
00546	ELSZ 125 HD	8M 100

00532	QSSZ 60	5M 15
00534	QSSZ 80	5M 25

00536	DSZS 160 (PU HF PAZ)	8M 30
00536	DLSZ 120	8M 30
00538	DLSZ 160	8M 50
00540	DLSZ 200	8M 70
00536	DSSZ 120	8M 30
00538	DSSZ 160	8M 50
00540	DSSZ 200	8M 70

00534	ELZT 40	5M 25	Main belt
00532	ELZT 40	5M 15	Rotating belt
00536	ELZT 60 (S)	8M 30	Main belt
00534	ELZT 60 (S)	5M 25	Rotating belt
00538	ELZT 80 (S)	8M 50	Main belt
00536	ELZT 80 (S)	8M 30	Rotating belt
00540	ELZT 100	8M 70	Main belt
00538	ELZT 100	8M 50	Rotating belt

Stainless steel linear units aramid-reinforcement PU PAZ		
Code No.:	Type	Toothed belt
005341	QLZE / QSZE 60	5M 25
005361	QLZE / QSZE 80	8M 30
005381	QLZE / QSZE 100	8M 50
005401	QLZE 125	8M 70

005341	DLZPVIE / DSZPVIE 120	5M 25
005361	DLZPVIE / DSZPVIE 160	8M 30
005381	DLZPVIE / DSZPVIE 200	8M 50

005471	LLZE 60 / LSZE 60	5M 30
--------	-------------------	-------

Nubbed belt with steel reinforcement N10-PAN-HF		
Code No.:	Type	Nubbed belt
00547N	LL / LS / CL / ML 60	N10





Toothed pulleys



coupling claw on one side    coupling claws on both sides    shaft on one side    shaft on both sides

Pulley size 30 - 80 bronzed steel / aluminium, size 100 - 125 aluminium.  
Coupling claws compatible with Rotex GS system.

Size	Code No.		Code No.		Belt	Number of teeth	mm/rev.	Coupling Rotex
	Coupling claw on one side	Coupling claw on both sides	Shaft on one side	Shaft on both sides				
<b>ELZ / ELSZ with standard belt</b>								
30	04010	04020	04828	04829	3M12	25	75	7
40	04011	04021	04830	04831	5M15	20	100	9
60(S)	04012	04022	04832	04833	5M25	26	130	14
80(S)	04013	04023	04834	04835	8M30	24	192	19
100	04014	04024	04836	04837	8M50	32	256	24
125	04015	04025	04838	04839	8M70	38	304	28
<b>ELSZ with widened belt</b>								
30	04011	04021	04830	04831	5M15	20	100	9
40	04012	04022	04832	04833	5M25	26	130	14
60(S)	04013	04023	04834	04835	8M30	24	192	19
80(S)	04014	04024	04836	04837	8M50	32	256	24
100	04015	04025	04838	04839	8M70	38	304	28
125	040150	-	-	-	8M100	38	304	-
<b>ELZG</b>								
30	04820	04821	04840	04841	3M12	40	120	7
40	04822	04823	04842	04843	5M15	32	160	9
60(S)	04824	04825	04844	04845	5M25	44	220	14
80(S)	04826	04827	04846	04847	8M30	40	320	19
<b>ELZI</b>								
30	048200	--	--	--	--	--	--	--
40	048220	048230	--	--	--	--	--	--
60	048240	--	--	--	--	--	--	--
<b>ELSD with standard belt</b>								
40	04011	04021	04830	04831	5M15	20	100	9
60(S)	04012	04022	04832	04833	5M25	26	130	14
80(S)	04013	04023	04834	04835	8M30	24	192	19
100	04014	04024	04836	04837	8M50	32	256	24
<b>ELSD with widened belt</b>								
40	04012	04022	04832	04833	5M25	26	130	14
60(S)	04013	04023	04834	04835	8M30	24	192	19
80(S)	04014	04024	04836	04837	8M50	32	256	24
100	04015	04025	04838	04839	8M70	38	304	28
<b>ELZU</b>								
30	04010	04020	04828	04829	3M12	25	75	7
40	04011	04021	04830	04831	5M15	20	100	9
60(S)	04012	04022	04832	04833	5M25	26	130	14
80(S)	04013	04023	04834	04835	8M30	24	192	19

Toothed pulleys

Size	Code No.		Code No.		Belt	Number of teeth	mm/rev.	Coupling Rotex
	Coupling claw on one side	Coupling claw on both sides	Shaft on one side	Shaft on both sides				
<b>ELZT internal belt</b>								
40	04011				5M15	20	100	9
60(S)	04012				5M25	26	130	14
80(S)	04013				8M30	24	192	19
100	04014				8M50	32	256	24
<b>ELZT external belt</b>								
40	04012	04022	04832	04833	5M25	26	130	14
60(S)	04013	04023	04834	04835	8M30	24	192	19
80(S)	04014	04024	04836	04837	8M50	32	256	24
100	04015	04025	04838	04839	8M70	38	304	28
<b>DLZ / DSZ</b>								
DLZ/DSZ 120	04012	04022	04832	04833	5M25	26	130	14
DLZ/DSZ 160	04852	04853	04848	04849	8M30	22	176	19
DLZ/DSZ 200	04854	04855	04850	04851	8M50	28	224	24
<b>DLZT / DSZT internal belt</b>								
120	04012				5M25	26	130	14
<b>DLZT / DSZT external belt</b>								
120	04013	04023	04834	04835	8M30	24	192	19
<b>QLZ / QSZ</b>								
60	04012	04022	04832	04833	5M25	26	130	14
80	04852	04853	04848	04849	8M30	22	176	19
100	04854	04855	04850	04851	8M50	28	224	24
QS 125	048551	048552	---	---	8M70	36	288	28
<b>QLSZ / QSSZ</b>								
80	04012	04022	04832	04833	5M25	26	130	14
<b>CLL / LL / LS</b>								
60	---	04868	04869	---	5M30	26	130	14
80	---	048695	04848	04849	8M30	22	176	19
<b>LL / LS / ML Special toothed pulley for nubbed belt</b>								
60	048685	048686	---	---	5M30	13	130	14

Tensioner pulley	Code No.	Belt	Number of teeth	mm/rev.
CLL / LL / LS 60	048694	5M30	26	130
LL / LS 80	048697	8M30	22	176
CLL / LL / LS 60 for nubbed belt	048687	N10	13/3	130



two shafts short    one shaft long    two shafts long

Size	Code No.			Belt	Number of teeth	mm/rev.	Coupling Rotex
	Two shafts short	One shaft long	Two shafts long				
<b>ELHZ / ELVZ</b>							
60(S)	04026	04860	04861	5M25	16	80	14
80(S)	04027	04862	04863	5M25	22	110	19
100	04028	04864	04865	8M50	18	144	24
125	04029	04866	04867	8M50	24	192	28

# Spare parts

## Toothed pulleys



Coupling claw on one side



Shaft on one side

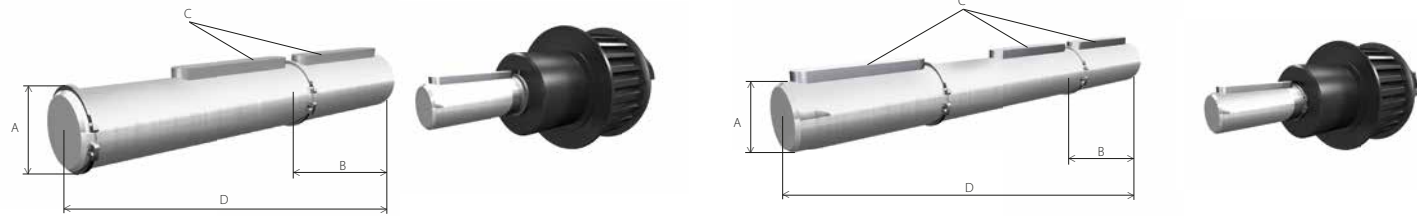


Shafts on both sides

Size	Code No.			Belt	Number of teeth	mm/rev.	Coupling Rotex
	Coupling claw on one side	Shaft on one side	Shaft on both sides				
<b>ELZZ</b>							
60(S)	04856	048561	048562	5M09	26	130	14
80(S)	04857	048571	048572	8M12	24	192	19
100	04858	048581	048582	8M20	32	256	24
125	04859	048591	048592	8M30	38	304	28

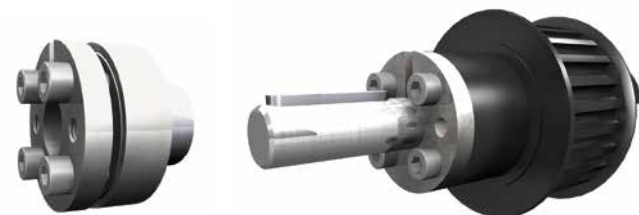
## Plug-in shaft for pulleys

Plug-in shaft made of stainless steel, complete with key and locking rings for retrofitting.



Shaft on one side							Shaft on both sides						
Code-No.	Type	Size	A <sub>h7</sub>	B	C	D	Code-No.	Type	Size	A <sub>h7</sub>	B	C	D
04030	ELZ/ELSZ	30	6	15	2x2x12	57	04040	ELZ/ELSZ	30	6	15	2x2x12	72
04031	ELZ/ELSZ	40	10	27	3x3x25	85	04041	ELZ/ELSZ	40	10	27	3x3x25	112
04032	ELZ/ELSZ/ MLZ QLZ/QSZ	60	14	35	5x5x28	115	04042	ELZ/ELSZ QLZ/QSZ	60	14	35	5x5x28	150
	DLZ/DSZ DLZT/DSZT	120						DLZ/DSZ DLZT/DSZT	120				
04033	ELZ/ELSZ/ MLZ QLZ/QSZ	80	18	45	6x6x40	145	04043	ELZ/ELSZ QLZ/QSZ	80	18	45	6x6x40	190
	DLZ/DSZ	160						DLZ/DSZ	160				
	DLSZ/DSSZ	120						DLSZ/DSSZ	120				
04034	ELZ/ELSZ/ MLZ	100	22	45	6x6x40	175	04044	ELZ/ELSZ	100	22	45	6x6x40	220
	DLSZ	160						DLSZ	160				
04035	ELZ	125	30	45	8x7x40	215	04045	ELZ	125	30	45	8x7x40	270

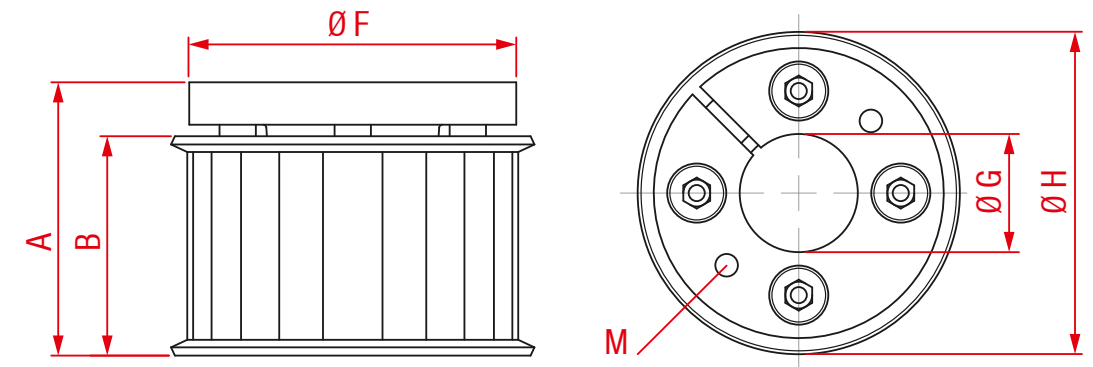
## Tensioning set for sizes EL 100 - 125, DL/DS 200, ML / QL / QS 100



Code-No.	Type	Tension ring
00472	EL/ML 100 DL/DS 200 QL/QS 100	22 x 32
00476	E 125	30 x 41

# Spare parts

## Pulley with integrated tension set D 120, 160, 200



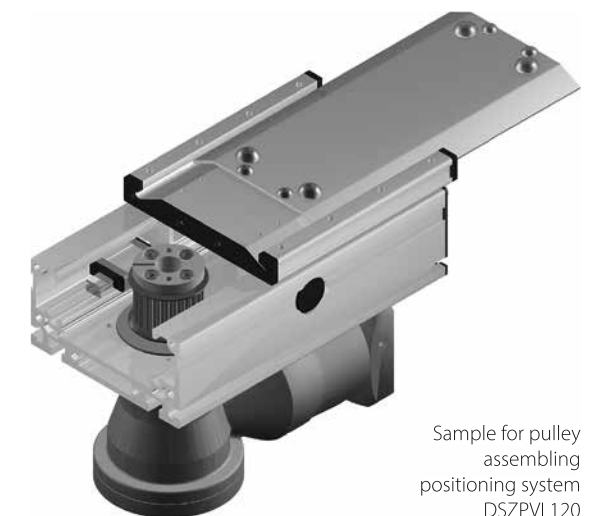
Type	Standard Code-No.	stainless Code-No.	A	B	Ø F	Ø G	Ø H	Belt type	Number of teeth
D 120	04873	04874	39	30	41	16	46	HTD 5M 25	26
D 160	04875	04876	45	36,2	54	22	60	HTD 8M 30	22
D 200	04877	04878	67,5	57,2	62	32	79	HTD 8M 50	28

M = Dismounting thread

Type	Clamping screws			Torque / axial force	
	M	Z Number	T <sub>A</sub> [Nm]	T [Nm]	F <sub>ax</sub> [N]
D 120	M5	4	10	148	19 000
D 160	M6	4	17	244	22 000
D 200	M6	8	17	689	43 000

### Function:

Pulley with integrated tension set for positioning systems DLZPVI (E) and DSZPVI (E). In order to realize a simple and fast assembling we reduced the number of parts. Each tension set has got two dismounting threads in order to disassemble the pulley easily.



Sample for pulley assembling positioning system DSZPVI 120

## Spur gears

ELZA | ELDZA

Size	1 Shaft			2 Shafts			mm/rev.	Modul
	Steel	Stainless steel	Plastic	Steel	Stainless steel	Plastic		
<b>40</b>	041900	041901	04190	041910	041911	04191	188,5	1,5
<b>60</b>	041920	041921	04192	041930	041931	04193	251,3	2
<b>60 S</b>	041980	041981	04198	041990	041991	04199	314,2	2
<b>80 (S)</b>	041940	041941	04194	041950	041951	04195	358,0	3
<b>100</b>	041960	041961	04196	041970	041971	04197	508,9	3

