

VGA . USB . PS/2 . Audio . RS232

CONTROL

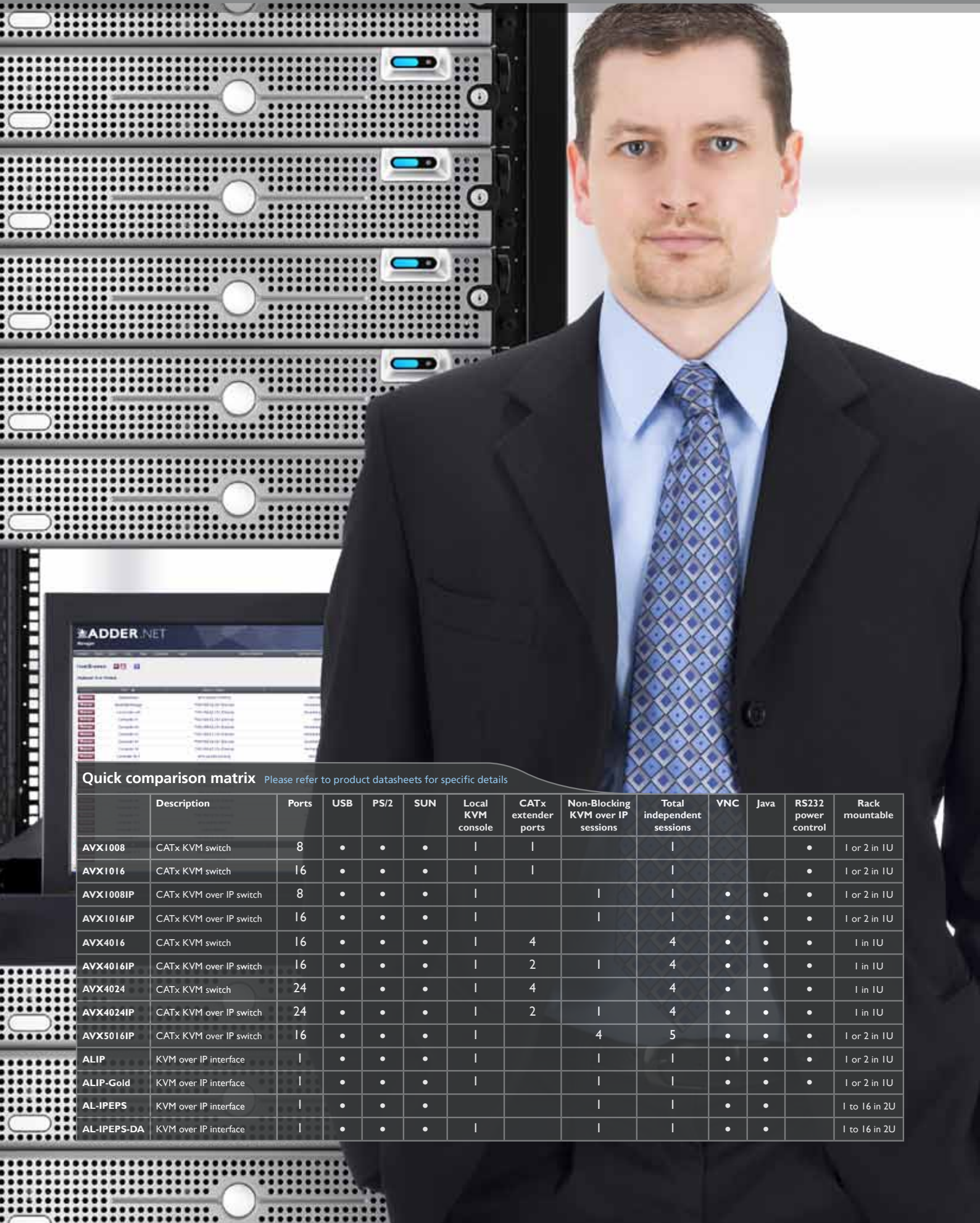
Professional Computer & Server Control Solutions

**CATx Control Experts**Professional control solutions from the experts in KVM
and KVM over IP technology

Featuring

ADDER VIEW
CATx IP5000
QUAD IP

KVM & IP CONTROL TECHNOLOGY



Quick comparison matrix Please refer to product datasheets for specific details

	Description	Ports	USB	PS/2	SUN	Local KVM console	CATx extender ports	Non-Blocking KVM over IP sessions	Total independent sessions	VNC	Java	RS232 power control	Rack mountable
AVX1008	CATx KVM switch	8	•	•	•						•	•	1 or 2 in 1U
AVX1016	CATx KVM switch	16	•	•	•						•	•	1 or 2 in 1U
AVX1008IP	CATx KVM over IP switch	8	•	•	•					•	•	•	1 or 2 in 1U
AVX1016IP	CATx KVM over IP switch	16	•	•	•					•	•	•	1 or 2 in 1U
AVX4016	CATx KVM switch	16	•	•	•		4		4	•	•	•	1 in 1U
AVX4016IP	CATx KVM over IP switch	16	•	•	•		2		4	•	•	•	1 in 1U
AVX4024	CATx KVM switch	24	•	•	•		4		4	•	•	•	1 in 1U
AVX4024IP	CATx KVM over IP switch	24	•	•	•		2		4	•	•	•	1 in 1U
AVX5016IP	CATx KVM over IP switch	16	•	•	•			4	5	•	•	•	1 or 2 in 1U
ALIP	KVM over IP interface	1	•	•	•					•	•	•	1 or 2 in 1U
ALIP-Gold	KVM over IP interface	1	•	•	•					•	•	•	1 or 2 in 1U
AL-IPEPS	KVM over IP interface	1	•	•	•					•	•	•	1 to 16 in 2U
AL-IPEPS-DA	KVM over IP interface	1	•	•	•					•	•	•	1 to 16 in 2U

What is KVM over IP?

KVM over IP stand alone units and KVM over IP switches are designed to enable remote access to computers and servers across a LAN/WAN, the Internet or even ISDN/56K modem. Adder KVM over IP devices also enable out of band management enabling remote power cycling and BIOS level access to remote locations or within a data center.

Adder KVM over IP devices are jointly designed with Real VNC. Using the original industry standard remote access tool means that Adder devices are not only amongst the highest performing, flexible and reliable on the market but also come packed with a whole host of additional features such as scaling viewers, high color depth and advanced mouse support.

What makes Adder KVM unique?

While Adder's KVM solutions are designed to provide a wide range of functional advantages to specific types of KVM users, including SMBs and hosting/co-location service providers, Adder has over the years paid particular attention to the quality of the KVM user experience. As a result, Adder's solutions are significantly differentiated by the premium user experience they deliver.

Examples of how Adder delivers this premium KVM user experience include:

Intelligent video thresholding

Adder's innovative active de-artifacting technology automatically calculates the ideal threshold for any computer or KVM switch so that video displays are refreshed with optimum immediacy - while "screen junk" is kept to an absolute minimum.

Adaptive video compression

Adder solutions also optimize the immediacy of video data updates through the use of adaptive compression that ensures the best possible performance over any given network connection. This is especially critical for KVM over IP, where excessive bandwidth utilization can easily cause video performance to deteriorate under shifting network conditions.

Flexible screen scaling

Adder solutions provide point-and-click screen scaling, so that users can quickly accommodate target devices running any size display with any aspect ratio. Adder solutions also allow users to easily override scaling if and when they require unscaled pixel-to-pixel mapping.

Self-learning video and mouse settings

Adder's KVM over IP technology automatically captures and saves the video and mouse settings for each managed target device. This saves KVM users the time and hassle of recalibrating those settings as they manage multiple remote devices.

Outstanding mouse response

Adder uses advanced acceleration algorithms to deliver mouse responsiveness that is up to ten times faster - and exhibits substantially less motion lag than some competing products.

Fully adaptive mouse support

Adder supports all types of mouse implementations over IP - including single and dual mouse modes, as well as relative and absolute

USB modes. Adder solutions also optimize mouse performance by adapting to all acceleration settings for most common systems.

A highly intuitive, easily navigable user interface

Adder solutions are intentionally designed to make it as easy and efficient as possible to execute all types of KVM-supported IT operations. This is achieved with features such as "in-picture" menus that allow KVM over IP session to be managed within the same window as the target device's video - as well as with an intuitive interface that lets users quickly access KVM functions and move between managed devices and/or access functionality such as power cycling. Users can also download viewers right from Adder KVM devices in case they have to work from a PC or laptop that does not yet have a viewer on it.

Fast, easy setup

Adder solutions save time and eliminate many common sources of user frustration with a simple, intuitive on-screen setup "wizard." This wizard, combined with automated IP address administration, enables users to quickly add or delete devices, regardless of their level of KVM expertise.

Adder's KVM solutions are also differentiated by their reliability, robust security, flexible administration, and broad choice of configuration suitable for diverse computing environments. However, because IT staff productivity is such a key issue for today's businesses, it is the premium KVM user experience Adder offers that is often the key differentiator in terms of bottom-line value.

Real VNC

VNC (Virtual Network Computer) Software is a system devised to enable users to simply access and control remote computers over a network. Invented in Cambridge, England by a team at Olivetti and then AT&T, VNC was made open source enabling the protocol to quickly become the remote access standard. Many companies began to adapt and commercialize various features of the VNC protocol capitalising on its ubiquitous nature. In 2002 the original inventors of VNC took it upon themselves to completely re-write their code bringing their expertise to bear on the standard. Real VNC brought the enterprise version to market featuring high level security together with encryption to assure the safety of your enterprise. Adder Technology and Real VNC collaborated together to provide Real VNC Access with a difference. Rather than installing the software on each server, the protocol would be embedded into Adder's advanced KVM switches adding a hardware security layer to the model. This provided users the benefits of both technologies. Features such as the multi platform nature of KVM switches coupled with Out of Band Access enabling users to remotely boot computers and see the configuration prior to the OS becoming active are now the base level requirements.

ADDERView CATxIP 1000

High density fully featured USB, Video and Audio control for local, remote and global users

VGA . USB . Audio . RS232 . 1 IP . 1 Local

ADDERView CATxIP 1000

High density fully featured USB, Video and Audio control for local, remote and global users



PRODUCT IN BRIEF

The ADDERView CATxIP 1000 is a high density, small form factor KVM switch available with 8 or 16 ports to provide local, remote and global access for users who need to control multi-platform operating systems and hardware. The CATxIP 1000 combines USB console support, global IP access and a full KVM feature set to create a truly modern KVM switching solution delivering high quality video and CD quality audio. A focus on flexibility means the CATxIP 1000 is equally suited to applications from professional server installations or industrial processes through to office control. The CATxIP 1000 makes full enterprise grade functionality and quality available to everyone in a compact desktop format.

Quick Key



FEATURES

USB keyboard and mouse control

Any USB style keyboard and mouse (PC, Mac or Sun) can be used to control the ADDERView CATxIP 1000 switch. Full keyboard re-mapping is supported to ensure seamless cross platform functionality.

Faultless video quality

The ADDERView CATxIP 1000 provides exceptionally high video performance to local users, supporting up to 1600x1200 resolutions with DDC emulation which is further enhanced by DC balancing to ensure full and true colour.

True multi-platform support

The ADDERView CATxIP 1000 supports any computer platforms with PS/2, USB and Sun keyboard and mouse interfaces. Country code reporting, DDC and continuous keyboard and mouse emulation ensure faultless operation.

Easy cascade

Expand simply by using just CATx cable to link units. The CATxIP 1000 automatically detects cascade connections to support up to 256 computers. Fit 32 performance KVM connections in 1U of rack space.

Optional CD quality audio

ADDERView CATxIP 1000 switches support CD quality 44.1kHz digital stereo audio when optional audio enabled CAM modules are used.

Options port

- Integration with RS232 controlled power switches to provide a complete hard reboot function

- Sync with other CATxIP 1000 switches for multi-video applications
- Remote control

Global User (IP)

- Employing enterprise grade security (using AES 128 bit encryption and RSA 2048 bit public key authentication)
- Use Java web browser or RealVNC client software that, unlike HTTPS web browsers, is designed specifically for secure, high performance KVM over IP applications
- Up to 1600x1200 resolutions with scalable windows

Computer Access Modules

Flash upgradeable CAMs are available for PS/2, USB and Sun keyboard and mouse support with optional audio.

Rack mount / rack drawers

One or two CATxIP 1000 switches can be mounted in 1U of rack height giving a maximum of 32 ports per 1U. The small size also makes the units ideal for mounting behind KVM rack drawers.

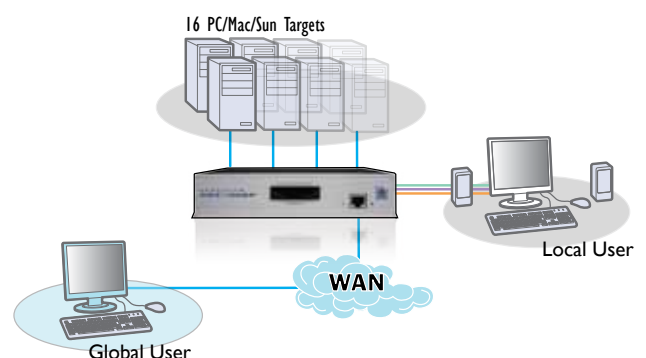
User access control

Up to 16 different user profiles can be created and access rights for each user can be defined.

Embedded KVM option

CATxIP 1000 technology is available without a casing for embedding within other equipment such as rack drawers and industrial equipment through an interconnect header.

1 Local User
1 IP User
8 Port or 16 Port



KVM & IP CONTROL TECHNOLOGY

CASE STUDY - HBOS Data Centre

CHALLENGE

Managing Europe's largest financial data center is no easy feat – couple this with the fact that this data center (which has doubled in size over the last two years) belongs to HBOS plc (Halifax Bank of Scotland), a renowned financial institution that has tens of thousands of assets under management - and the mission becomes even more vital.

HBOS provides retail, business and corporate banking, and insurance and investment services. Adder's KVM solutions have been a key component in managing and securing HBOS' two data centers based in the U.K. The Adder/HBOS relationship goes back several years. According to Dave Bevan, HBOS' Team Leader, Data Center Management, "By the time KVM solutions came into the spotlight, we already had a huge investment in standalone Adder switches. We needed to protect that investment. The scale of our operation made the viability of changing the solution problematic. Rather than introduce a risk to our existing systems, we decided to enhance the deployment we already had. Adder had both the products and the expertise to make this happen without introducing the risks associated with rebuilding our entire infrastructure."

SOLUTION

HBOS today deploys over 700 pieces of Adder equipment – many of which are KVM switches. Most recently, HBOS has leveraged Adder's KVM over IP hardware solution. With demands from internal IT security teams, the bank had to reduce the physical access to the computer suites. "We tried a couple of the early Adder switches which showed that a remote KVM solution was the way forward. The introduction of the little ADDERLink IP unit was the 'Eureka' moment for us, we've been using them ever since." At the same time, HBOS also began a cluster-based model where it banks KVM switches together to control 128 servers at a time. However, in the past year, HBOS has moved to ADDERView CATx switches because it enables cabinets to accept 24 servers which are essential in accommodating HBOS' growth projections.

HBOS has Adder SmartView Pro, SmartView XPro and ADDERView CATx switches in place as well as a substantial number of ADDERLink IP units in use. They are customized for HBOS use, both at a firmware level and at a client level. The whole population is controlled by a web

based front-end which is unique to HBOS. The customized solution is due in large part to Adder's open architecture. Adder was also able to fulfil their request to add extra security by reprogramming Adder's firmware.

At the heart of HBOS' data center operations is a customized inventory management system. The system was specifically created to protect the tens of thousands of assets under management. The KVM solutions are critical in that they control remote access to HBOS' server base. The access varies depending on who needs it. Physical presence is impossible to control once someone's inside the Data Center door. A robust set of remote controls is the preferred option. A remote KVM solution is ideal as it remains active through the reboot cycle or in the case of a system crash. These solutions don't need a software agent on the target server and they can be used across a wide range of operating systems.

RESULT

The Adder KVM over IP solution has enabled HBOS to leverage remote management functions and greatly reduce physical access to the servers. In fact, the company estimates that over 25,000 hits (or log-ins) to the KVM over IP system have replaced what would have been 25,000 physical visits to the computer rooms.

"We wouldn't have any commercial advantage without these remote access systems," said Dave Bevan. "The bottom line is cost." According to Bevan, "We've been able to protect our investment in Adder equipment and bring its use in-line with current IT security requirements. The hidden cost in any KVM over IP solution is the cost of the connectivity. The Adder range is quite light in network traffic; as a result, our current model uses just a single network port per 1000 servers for management (KVM over IP requirements, not data connectivity)."

HBOS has plans to continue its partnership with Adder as it grows. The institution estimates that it will have approximately 20,000 servers by the year 2008.

QUICK FACTS:

- Approximately 700 pieces of Adder KVM equipment are deployed within HBOS's data centers
- 25,000 remote access computer visits have replaced 25,000 physical visits, eliminating security risks
- Over 10,000 servers are controlled through the KVM over IP system (12,000 active servers are deployed within the two data centers)
- HBOS deploys a single network port per

1000 servers for management (KVM over IP requirements, not data connectivity).
• Adder provides HBOS with 12,300 ports of KVM over IP connectivity

ABOUT HBOS

HBOS is a major UK company. The Group provides retail, business and corporate banking, and insurance and investment services through its multi-brand strategy in the UK and internationally. About 72,000 people are employed across the Group. HBOS has the biggest private shareholder base in the UK. HBOS is the UK's largest mortgage and savings provider and the number one provider of new investment products. The Group is one of the UK's leading general insurers and has a reputation for excellence in the provision of business banking and corporate finance, delivering innovative funding solutions across a range of markets.



ADDERView CATx 1000

High density fully featured USB, Video and Audio control for local, remote and global users

VGA . USB . Audio . RS232 . 1 Local . 1 Remote

ADDERView CATx 1000

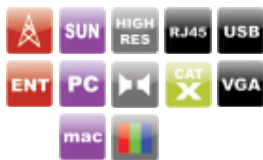
High density, small form factor, secure KVM via CATx switch



PRODUCT IN BRIEF

The ADDERView CATx 1000 is a high density, small form factor KVM switch that provides local and remote access for a user that wishes to control up to 16 multi-platform servers using neat and convenient CATx cables. The CATx 1000 combines USB console support with a full KVM feature set to create a truly modern KVM switching solution that provides high quality video and CD quality audio. Highly flexible connectivity options make the ADDERView the ideal solution for a wide range of server room, desktop and other demanding applications.

Quick Key



FEATURES

USB keyboard and mouse control

Any USB style keyboard and mouse (PC, Mac or Sun) can be used to control the ADDERView CATx 1000 switch. Full keyboard re-mapping is supported to ensure seamless cross platform functionality.

Faultless video quality

The ADDERView CATx series provides exceptionally high video performance to local and remote users alike, supporting up to 1600x1200 @ 85 Hz resolutions with DDC emulation which is further enhanced by DC balancing to ensure full and true colour.

True multi-platform support

The ADDERView CATx 1000 supports any computer platforms with PS/2, USB and Sun keyboard and mouse interfaces. Country code reporting, DDC and continuous keyboard and mouse emulation ensure faultless operation.

Easy cascade

Expand simply by using just CATx cable to link units. The ADDERView automatically detects cascade connections to support up to 256 computers.

Optional CD quality audio

ADDERView CATx 1000 switches support CD quality 44.1kHz digital stereo audio when optional audio enabled CAM modules are used.

Options port

- Integration with RS232 controlled power switches to provide a complete hard reboot function
- Flash upgrade
- Sync with other CATx 1000 switches for multi-video applications
- Upload/download CATx 1000 user and host information
- Remote control

Integrated CATx extender

The ADDERView CATx 1000 can be controlled by a user from up to 300m away over CATx cable using the ADDERLink X200 or X100 receiver and the integrated CATx extender.

Computer Access Modules

Flash upgradeable CAMs available for PS/2, USB and Sun keyboard and mouse support with optional audio.

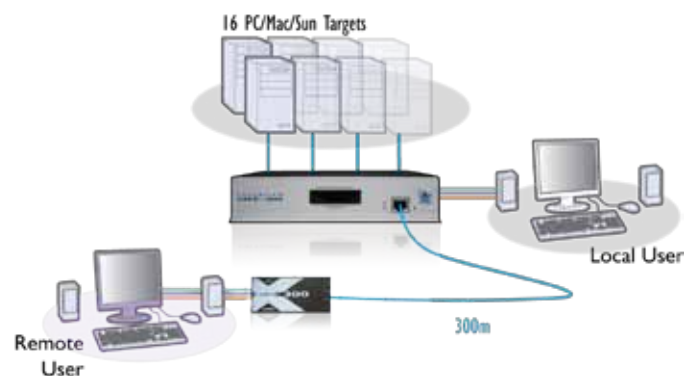
Rack mount / rack drawers

One or two CATx 1000 switches can be mounted in 1U of rack height giving a maximum of 32 ports per 1U. Small size also makes the units ideal for mounting behind KVM rack drawers.

User access control

Up to 16 different user profiles can be created and enables access rights for each user to be defined.

1 Local User
1 Remote User
8 Port or 16 Port



ADDERView CATxIP 5000

High density fully featured USB and Video control for local, remote and global users

NEW

VGA . USB . RS232 . 1 Local . 4 IP

ADDERView CATxIP 5000

High density fully featured USB, and Video control for local, remote and global users

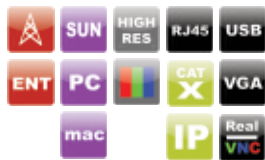


PRODUCT IN BRIEF

The ADDERView AVX5016 IP is the culmination of Adder's KVM over IP expertise to date. This new device offers 4 non blocking simultaneous IP connections together with a local port (5 separate users), and allows the user to control 16 separate devices. The AVX5016 IP is very small and compact enabling you to fit two units side by side to support 32 computers and 10 sessions in just 1U of rack space.

This enterprise grade KVM over IP switch employs AES 128 bit encryption and RSA 2048 authentication ensuring your control system remains secure at all times. Using Adder's CAM modules, you can connect the switch via CAT5e cable to any type of server including PC, Mac and Sun. Country code reporting, DDC and continuous keyboard and mouse emulation further ensure faultless operation across your unique installation.

Quick Key



The AVX5016 IP allows you to configure 16 separate users internally with unique access privileges all of which are stored within the switch. Furthermore, the AVX5016 IP also includes LDAP integration allowing you to authenticate users against your existing infrastructure.

Adder's continuous improvement policy further ensures your system against future hardware changes - Adder offers free firmware updates for the life of the product. Furthermore, Adder's open architecture design philosophy will not tie you in to specific manufacturer's equipment.

An integrated RS232 data port on the switch gives you the ability to manage surrounding power infrastructure allowing you to hard reboot systems with ease.

The AVX5016 IP is also the first Adder switch to include Adder's 'ecopulse' power circuitry which shuts down all non essential internal circuits when not in use. On wake up, these circuits come back to life seamlessly and instantaneously without affecting your session in any way.

Adder's continued Research and Development in KVM over IP technology has meant tighter integration of circuits and the use of unique chipsets from Adventiq. In turn this increased integration delivers a significant cost saving for their customers. The AVX5016 IP will be launched at a price of £995, less than half the price of equivalent devices from other manufacturers. This is a truly dramatic

price point for a fully professional KVM over IP switch, and one which Adder perceives as disruptive to the KVM market place. To add to the disruption a little bit more, each unit also ships with the latest version of ADDER.net - network management software, automating the task of managing your network control hardware.

FEATURES

4 simultaneous IP users

Allows 4 simultaneous global users to connect via IP to any of the 16 connected devices.

Local user support

Direct connection for 1 local user to connect straight into the switch.

LDAP integration

Authenticate users against your existing LDAP infrastructure. This feature can be enabled and disabled.

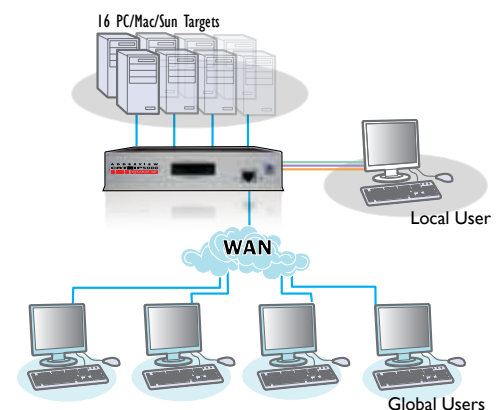
RS232 control

Integrated RS232 gives you the ability to control other external devices such as power management devices.

Ecopulse circuitry

Ecopulse powers down unnecessary circuits when not required to reduce power requirements. Over the life of the product this will save significant power resources.

1 Local User
4 IP User's
16 Port



ADDERView CATxIP 4000

High density fully featured USB, Video and Audio control for local, remote and global users

VGA . USB . PS/2 . Audio . RS232 . 1 Local . 2 Remote . 1 IP

ADDERView CATxIP 4000

The ADDERView CATx 4000 Series is a range of secure, KVM CATx switches providing 4 concurrent users with BIOS-level control of up to 24 multiplatform servers

PRODUCT IN BRIEF

The ADDERView CATx Series is a range of secure, KVM over CATx switches that provides 4 concurrent local, remote or global users with BIOS-level control of up to 24 multiplatform servers.

A “plug-and-play,” 1U appliance, the ADDERView CATx is a completely self-contained system that installs in minutes combining high security, flexibility, integrated remote power control, faultless quality video and optional CD quality audio.

The two members of the series are the ADDERView CATx supporting 16 or 24 CATx computer connections, 4 simultaneous users (1x local PS/2 or USB, 4 x remote over CATx) and the ADDERView CATx IP supporting 16 or 24 CATx computer connections, 4 simultaneous users (1x local PS/2 or USB, 2 x remote over CATx, 1 x global over IP).



FEATURES

Faultless video quality

The ADDERView CATx series provides exceptionally high video performance to local, remote and global users alike, supporting up to 1900x1440 resolutions with DDC emulation (1600x1200 on IP links).

True multi-platform support

The ADDERView CATx series supports PS/2, USB and Sun. Country code reporting, DDC and keyboard and mouse emulation ensure faultless operation.

PS/2 or USB keyboard and mouse control

Any PS/2 or USB style keyboard and mouse maybe used to control the ADDERView CATx series.

Easy cascade

Expand using CATx cascade connections with simple user intuitive set up.

Optional CD quality audio

The ADDERView CATx switches provide CD quality audio to users when optional audio enabled CAM modules are used.

Power control

Providing complete reboot function, the ADDERLink CATx series interfaces with power switches via a dedicated RS232 port.

Local user

Choice of PS/2 or USB keyboard and mouse control.

Remote user

Up to 300m from computer using Adder extenders.

Global user (IP)

- Employing enterprise grade security (using AES 128 bit encryption and RSA 2048 bit public key authentication).
- Use Java web browser or RealVNC client software that, unlike HTTPS web browsers, is designed specifically for secure, high performance KVM via IP applications.
- Up to 1600x1200 resolutions with scalable windows.

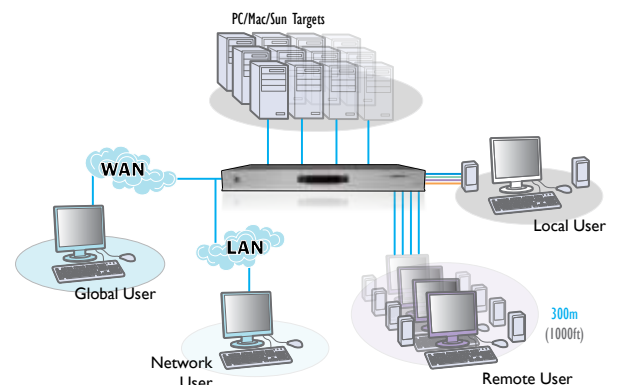
Computer Access Modules

Flash upgradeable CAM's available for PS/2, USB and Sun keyboard and mouse support with optional audio.

Quick Key



1 Local User
2 Remote Users
1 IP User
16 Port or 24 Port



The CATxIP 4000 supports 1 LAN, 1 Local & 2 Remote Users. The CATx 4000 (non IP) supports 4 remote/local users

ADDERLink IPEPS

High density fully featured USB and Video control for local, remote and global users

VGA . USB . PS/2 . Non Blocking . Modular KVM

"Fully non-blocking any user to any computer"

ADDERLink IPEPS

High density fully featured USB, and Video control for local, remote and global users

PRODUCT IN BRIEF

A powerful and flexible KVM over IP product contained within a palm sized unit, the ADDERLink ipeps enables computer access from anywhere in the world, securely and remotely via the Internet or corporate network. The ADDERLink ipeps uses RealVNC client software that is specifically designed for secure, high performance KVM over IP applications.

Despite its small size, there is no compromise in the performance of the ADDERLink ipeps. By using Adventiq Inside® on-chip KVM over IP technology, an extremely high performance solution can be contained in a compact unit.



ipeps has been engineered to act as a conduit through which data can be passed. Files can be transferred via IP on to the ADDERLink ipeps and on to the target computer by means of a USB virtual media port.

For Enterprise KVM solutions the ADDERLink ipeps provides a non-blocking global solution by providing each computer with a dedicated KVM-over-IP engine. This can be enhanced by using the ADDER.net Enterprise Management Software that provides a centralized and secure user access management interface.

This platform independent device is ideal for server hosting companies who wish to offer KVM over IP services to their customers.

Increasing numbers of computers are being used in remote, stand alone applications such as ATMs and digital signage play out devices. The incredibly small size of the ADDERLink ipeps makes it perfect for remote management and control of dispersed computers, meaning that many tasks that would have required an expensive site visit can now be done from anywhere.

FEATURES

Independent operation

Gives full control even during boot up, BIOS level or computer crash states. The ADDERLink ipeps will work even if the controlled devices are not operational.

High video performance

The ADDERLink ipeps can use a standard web browser but for superior graphical performance, RealVNC is used. Free of the limitations of HTTPS, RealVNC greatly enhances video performance.

Highly secure

Employing enterprise grade security (using AES 128 bit encryption and RSA 2048 bit public key authentication) as standard, the ADDERLink ipeps is further enhanced by the use of RealVNC that allows for the creation of ciphered user communications.

User management

Knowing who does what and when is crucial for any remote access service. The ADDERLink ipeps can create up to 16 user profiles with defined access rights. Global user control and access management. Where many ADDERLink ipeps devices are used it is important that user access to devices is both secure and quick. Optional ADDER.net Enterprise Management Software allows for an unlimited number of devices to be seen and accessed at the click of a button.

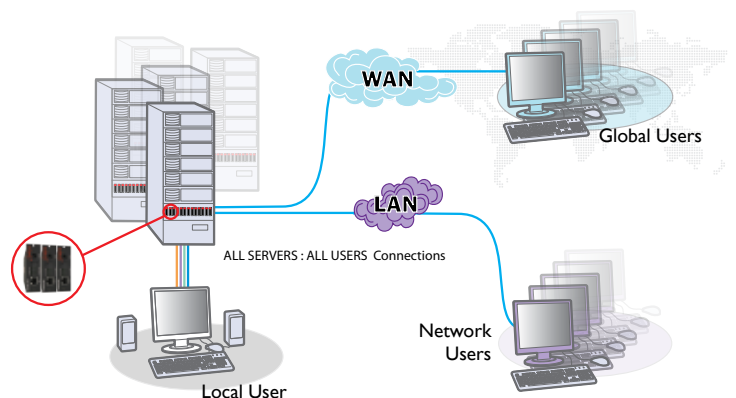
Virtual media support

To transfer files from remote users to controlled computers, the ADDERLink

Quick Key



1 Local User
1 IP User
Single Port or
Dual Access



CAM: Computer Access Modules

Connectivity solutions for KVM and KVM over IP devices

Computer Access Modules are used in conjunction with the Adder CATx KVM and Extender products to connect to a range of machine types

Computer Access Modules (CAMs) allow the user to connect multiple different machine platforms to an Adder CATx switch or KVM extender. Using the CAMs you can control Windows machines, SUN PCs and MACs over the same switch or connect via an extender. Multiple configurations are available for the Adder CAM including USB, PS/2, audio, VGA etc.



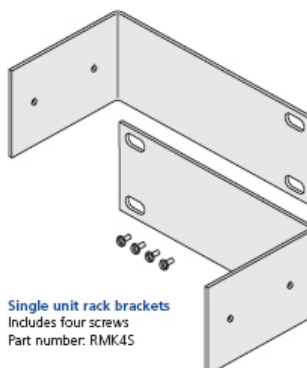
Rack mount: 19" Rack mount Kits

Connectivity solutions for KVM and KVM over IP devices

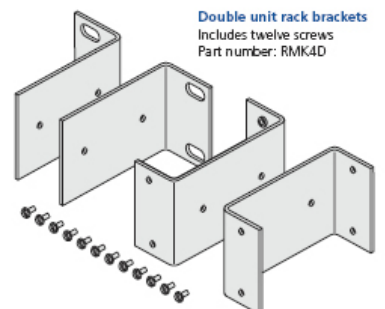
Rack mount kits are available for all our CATx and CATxIP switches

Adder rack mount kits are designed to allow easy rack mount installation of our CATx and CATxIP products.

There are a number of options available dependent upon the rack configuration you want. Rack mount kits come with all the fixings necessary to mount your product neatly.



Single unit rack brackets
Includes four screws
Part number: RMK45



Double unit rack brackets
Includes twelve screws
Part number: RMK4D

ADDER.net

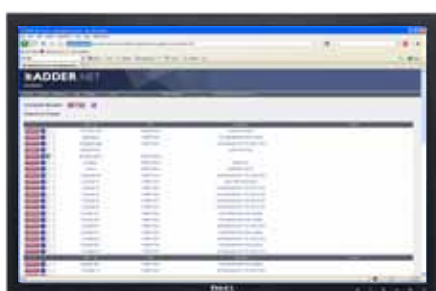
Network management software for professional networks



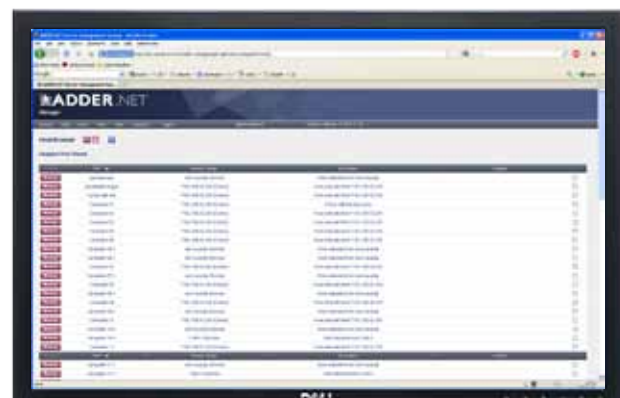
PRODUCT IN BRIEF

ADDER.net is a professional enterprise management suite delivering total IP device control, management and connectivity.

Adder KVM over IP devices provide the ability to control large numbers of host computers from remote locations. When controlling larger groups of dispersed computers using numerous KVM over IP devices, the major challenge becomes one of management – retaining active control over a complex mix of devices, host computers and registered users. ADDER.net has been developed as a common interface to help you to remotely manage any number of KVM over IP devices together with all of their connected host computers and the access rights of the users.



Connections Interface giving access to networked IP devices



Management Interface detailing networked IP devices

FEATURES

Overview

ADDER.net operates as a server application running on a system that can be completely separate from any of the KVM over IP devices – it merely requires an IP-network or Internet connection. ADDER.net uses an intuitive HTML user interface which means that registered users can access and control it remotely using a standard web browser. Like all Adder KVM over IP products, ADDER.net employs high specification security techniques to ensure that only authorised users may gain access. ADDER.net has two main modules: The Manager and the Connector.

The Manager

This module is accessible only to managers and is where details about all devices, hosts and users are configured and stored.

The Connector

This module can be used by registered users to allow quick access to all of the targets for which they have access rights. Targets may be devices, hosts or device groups, as appropriate.

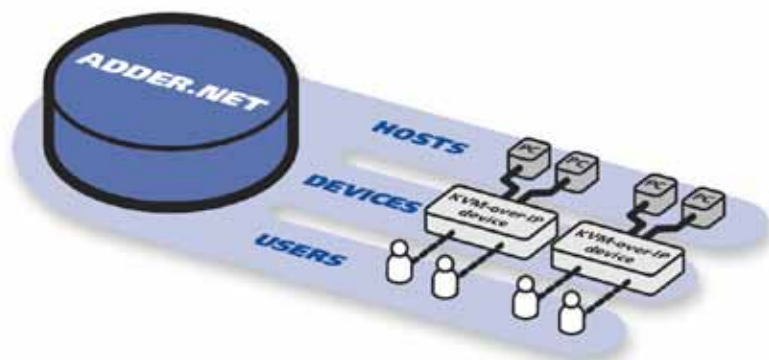
Security

To ensure maximum security, ADDER.net does not retain any passwords within its database for the devices that it controls. Instead, a valid password is used once only to gain access to each device during the 'acquire' stage where ADDER.net establishes a Secure Ticket with the device. In all subsequent accesses to each device,

the relevant secure ticket is used to gain access.

Additional Features

- Administer KVM over IP devices
- Compatible with all ADDER.net KVM over IP devices
- Find devices (scan network for devices)
- Cluster devices
- Web-based interface
- HTTPS encryption
- User and group support
- Locally input and maintained users and groups
- Users and groups imported from LDAP (Active Directory)
- Grant user access to devices
- Allowing connection to device by means of cryptographic authorisation tokens
- Display current connection status of managed devices and hosts
- Database back-up and restore
- Storage/inspection of device logs
- Network wide upgrade of firmware in devices
- Different access/views for ordinary users and administrative users
- On-screen help. On-line how-to and manual
- Easy installation and upgrades
- Based on proven technologies such as Apache
- Schedules for LDAP updates
- Automatic daily backups



NEW TECH C



Featuring

ADDERVIEW
CAT 23 IP5000
QUAD IP

ADDER TECHNOLOGY

Head Office
Tel: +44 (0)1954 780044 Fax: +44 (0)1954 780081
email: sales@adder.com www.adder.com

ADDER AMSTERDAM

Benelux, Western and Southern Europe
Tel: +31 (0)297 753625 Fax: +44 (0)1954 780081
email: sales@adder.com www.adder.com

ADDER CORPORATION

USA and Canada
Tel: +1 888 932 3337 Fax: +1 888 275 1117
email: usasales@adder.com www.adder.com

ADDER BERLIN

Central and Eastern Europe, Russia, CIS
Tel: +49 (0)30 8849 67-50 Fax: +49(0)308849 6748
email: vertrieb@adder.com www.adder.com

ADDER ASIA

Asia Pacific
Tel: +65 6288 5767 Fax: +65 6284 1150
email: asiasales@adder.com www.adder.com

ADDER STOCKHOLM

All Nordic Countries
Tel: +46 (8) 574 210 95 Fax: +46 (8) 574 211 95
email: sales@adder.com www.adder.com

Adder is a Registered Trademark of Adder Technology Limited in the United Kingdom, United States of America and countries covered by Community Trademark registration. All other Trademarks acknowledged.
catxbrochure_7_051212.indd