



# **UV BOTSWANA PRODUCT BROCHURE**



**5 TONNE UTILITY VEHICLE RANGE**

## UVB 5 Tonne Cassette Carrier

- multi purpose vehicle to incorporate a variety of cassettes which can be loaded , transported and unloaded anywhere as may be required in the low profile underground environment
- loading/unloading of the cassette is conveniently and efficiently a one man operation
- Hydrodynamic drivetrain



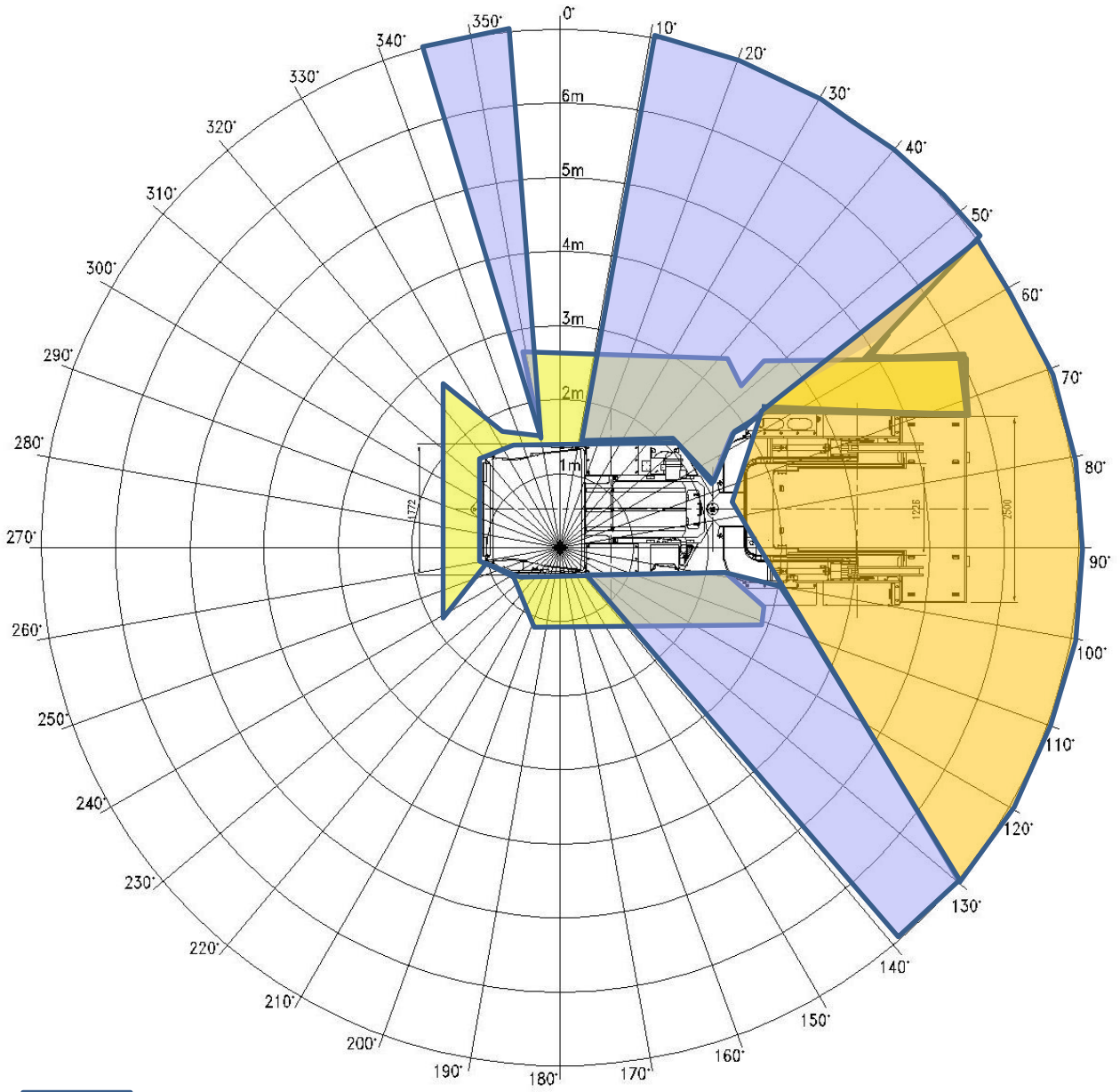
- **ENGINE OPTIONS**
  - Water-Cooled**
    - CAT C4.4 EPA Tier 3
    - Cummins QSB 3,3 EPA Tier 4
    - John Deere 4045DF270 EPA Tier 2
    - Perkins 1104C-44T EPA Tier 2
  - Air-Cooled**
    - Deutz F4L914W EPA Tier 2
  - Catalytic Purifier & Fume Diluter
- **TRANSMISSION**
  - Dana Clark Power Shift
  - 3-speed forward & reverse
  - Constant 4-wheel drive
- **AXLES**
  - Rigid, Planetary Hub Reduction
  - 112 Dana Spicer
- **BRAKES**
  - Wet Disc Hydraulic Brakes
  - Spring applied fail safe park brake
  - On all 4 wheels
  - Tyre size: 8.25 x 15
- **STEERING**
  - Frame Articulation  $\pm 34^\circ$
  - Orbital valve & steering wheel
  - Frame Oscillation  $\pm 10^\circ$
- **HYDRAULICS**
  - 175bar, 65l/min
- **ELECTRICAL SYSTEM**
  - 24V negative earth
  - 55A alternator
  - Lights Halogen 50W 4 forward
  - 2 rear with red brake lights
  - LED Navigation Lights
  - C.A.S. System – Optional
  - OVERSPEED System –Optional
  - DATA Logging – Optional
- **PERFORMANCE**
  - 1<sup>st</sup> gear: 5km/hr (max)
  - 2<sup>nd</sup> gear: 12km/hr
  - 3<sup>rd</sup> gear: 28km/hr
- **WEIGHT**
  - Operating: 3960kg
  - Max Payload: 5000kg
- **DIMENSIONS**





|                  |        |
|------------------|--------|
| Length           | 6728mm |
| Width            | 2500mm |
| Height           | 1400mm |
| Wheel base       | 3315mm |
| Ground Clearance | 260mm  |
- **TURNING RADIUS**

|       |        |
|-------|--------|
| Outer | 6748mm |
| Inner | 4044mm |

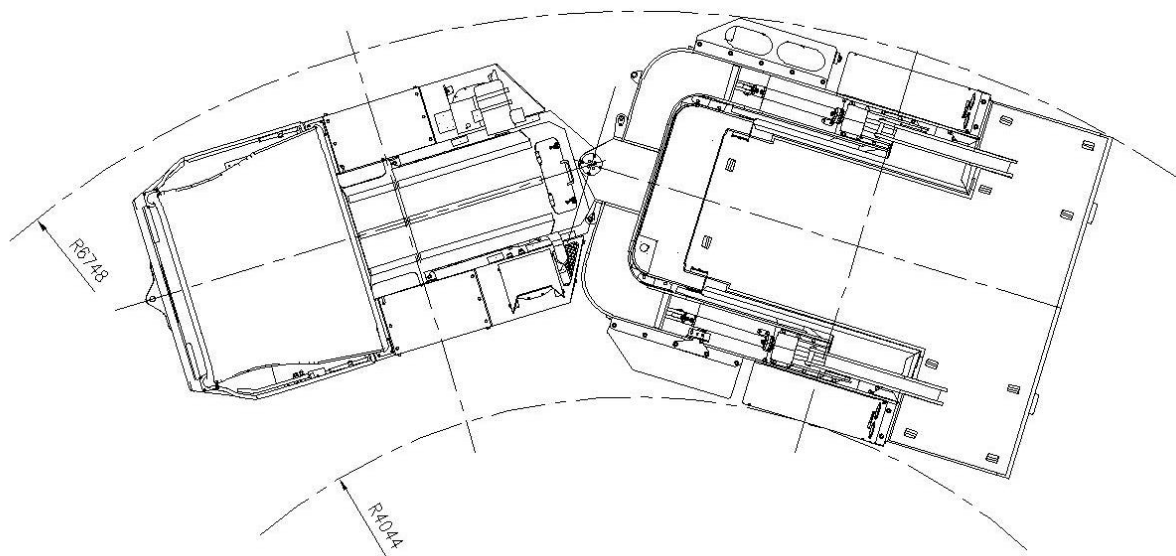
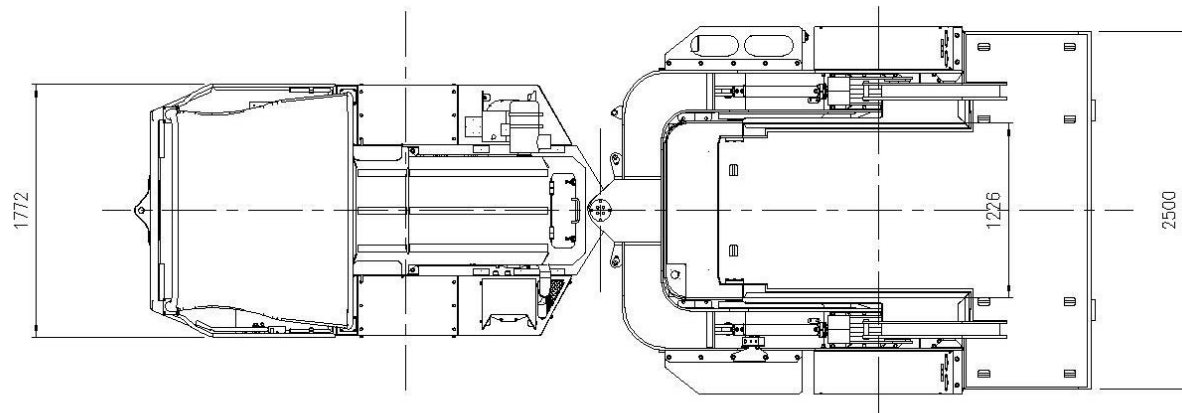
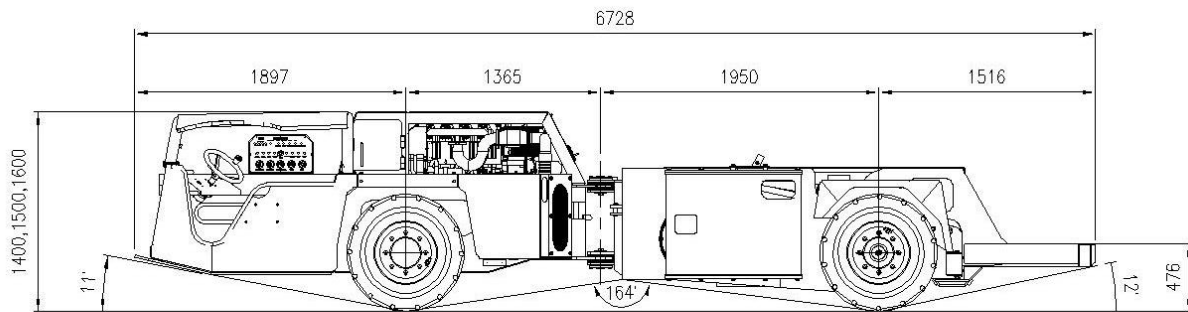
# MV – U50D - CCLWB

## VISIBILITY DIAGRAM



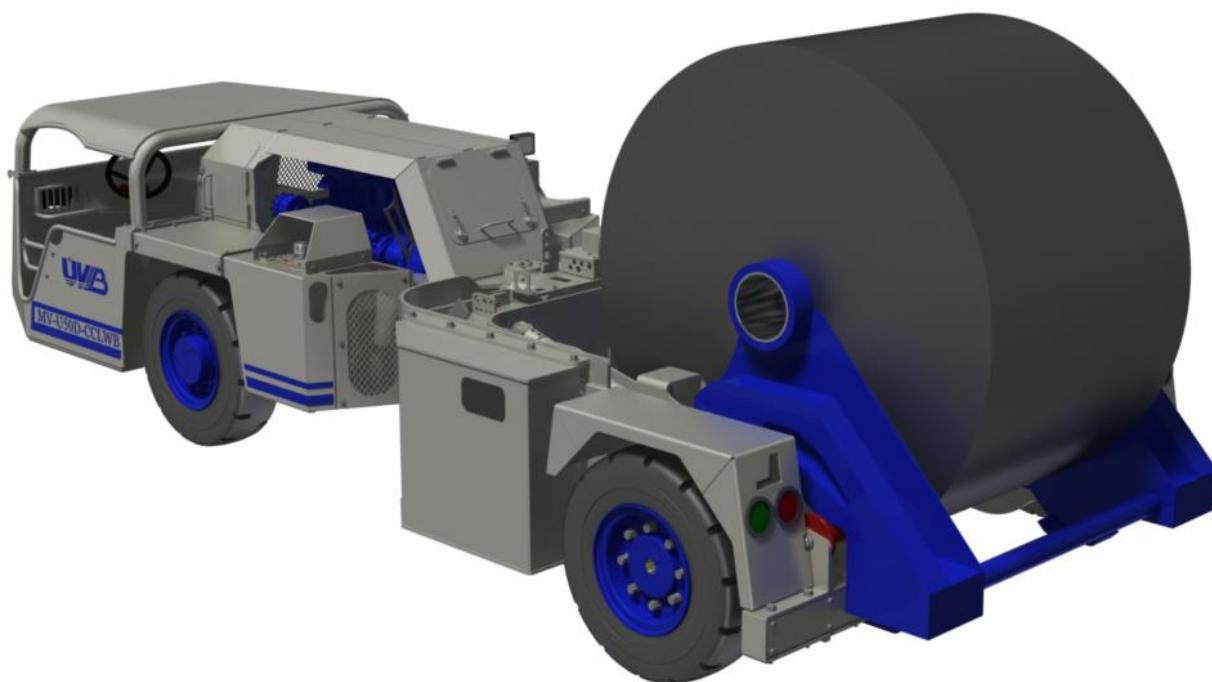
-  REAR VIEW CAMERA
-  BLIND SPOT
-  BLIND SPOT BELOW 1000mm
-  BLIND SPOT BELOW 600mm

5 TONNE CASSETTE CARRIER VEHICLE



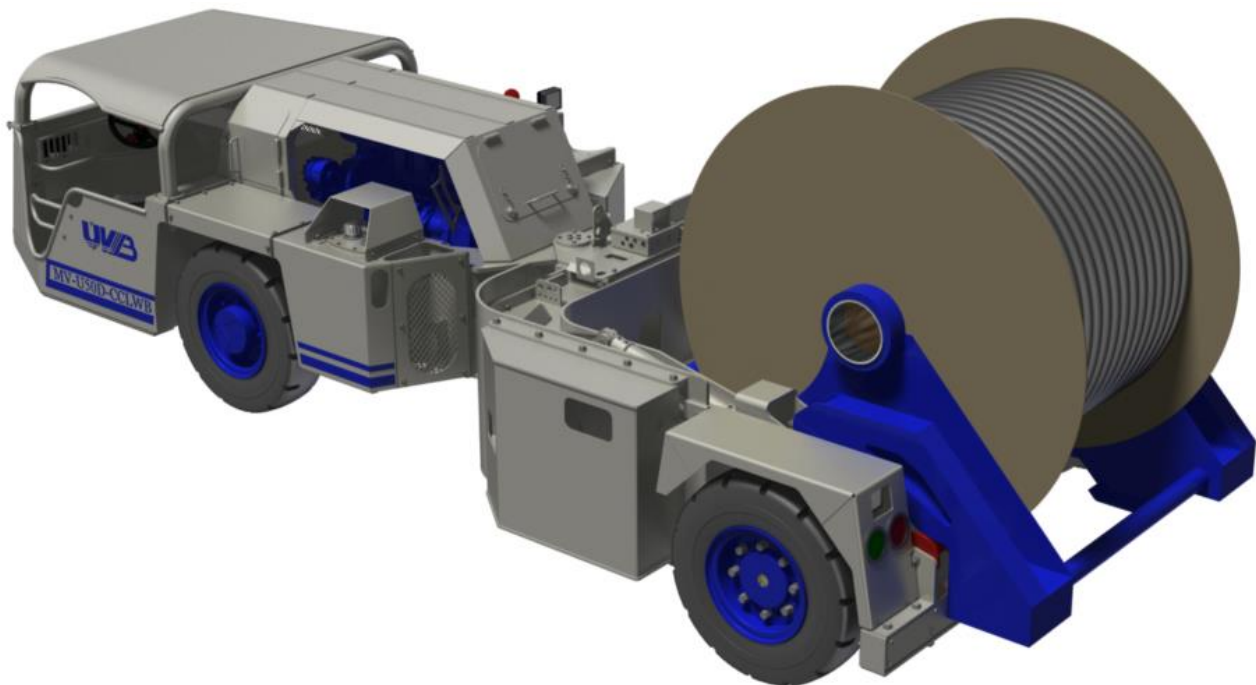
## Belt Cassette

- enables the MV-U50D-CC to carry a 100m of Class 2000/4 belt that is 1200mm wide.
  - *Note that the belt could only be handled in a roof height of 2,5m.*



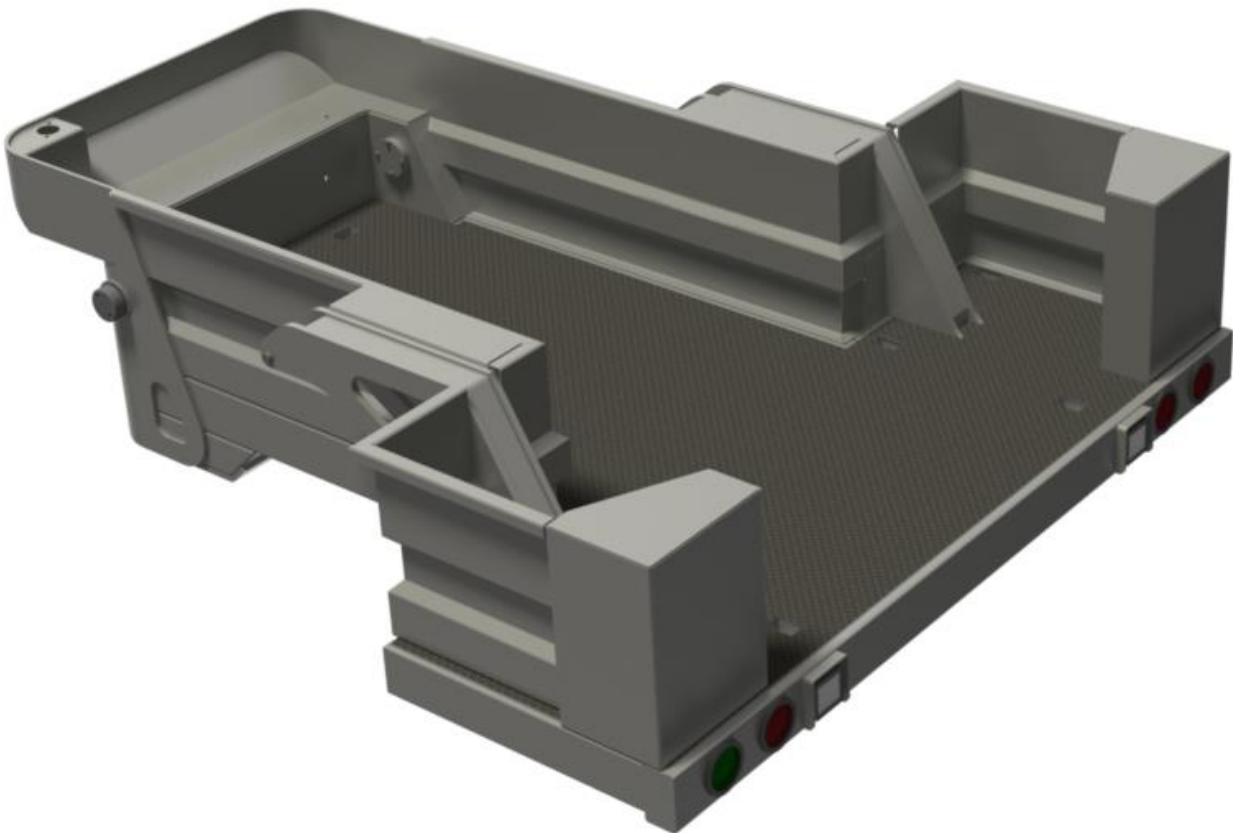
### Cable Cassette

- enables the MV-U50D-CC to carry a 300m drum of PEX 70mm<sup>2</sup> 11kVa Cable.
- *Note that the Cable could only be handled in a roof height of 3m.*



## General Purpose Cassette - Closed

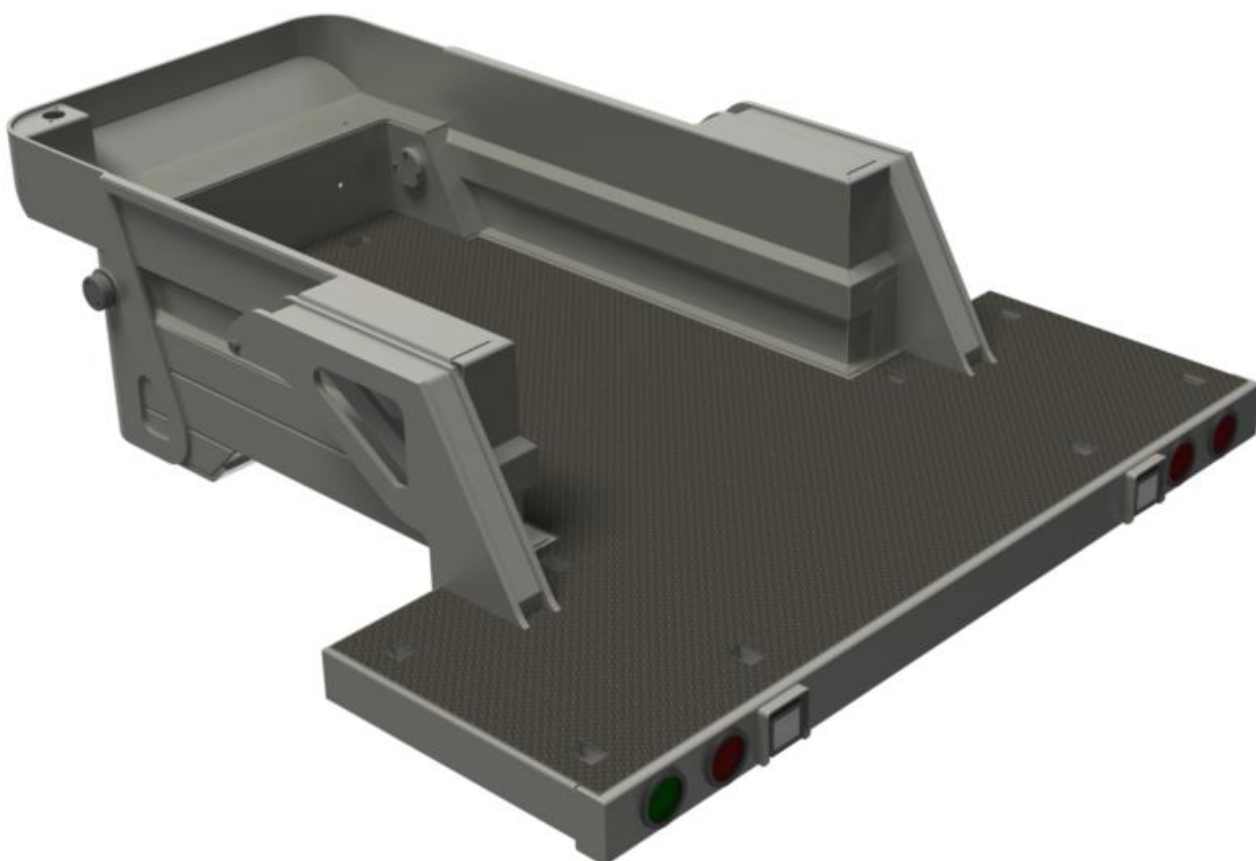
- supplied as a lockable unit
- cassette is supplied with removable ply-wood covers enabling the secure storage and transport of materials





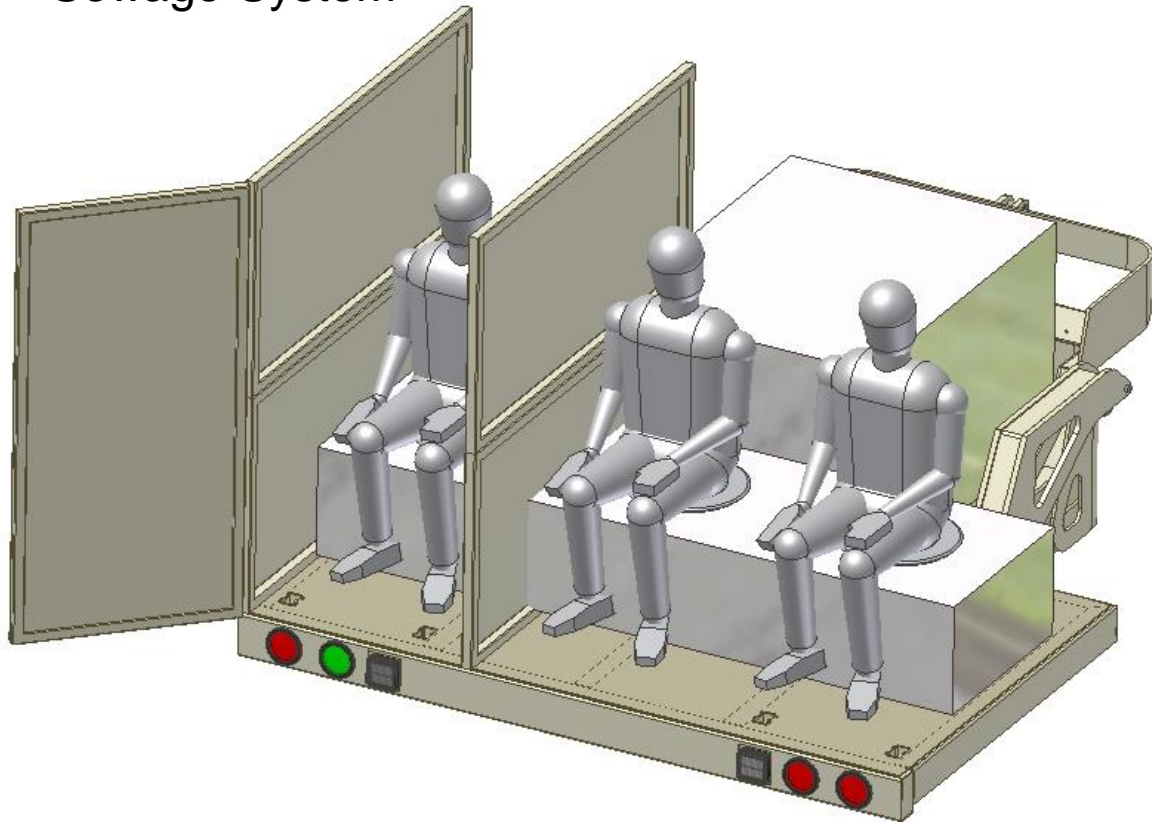
### General Purpose Cassette – Open

- Flatbed cassette supplied with integrated lashing points recessed into the floor, allowing loads to be secured before transport.
- This basic cassette can be modified to suit clients' specific applications.



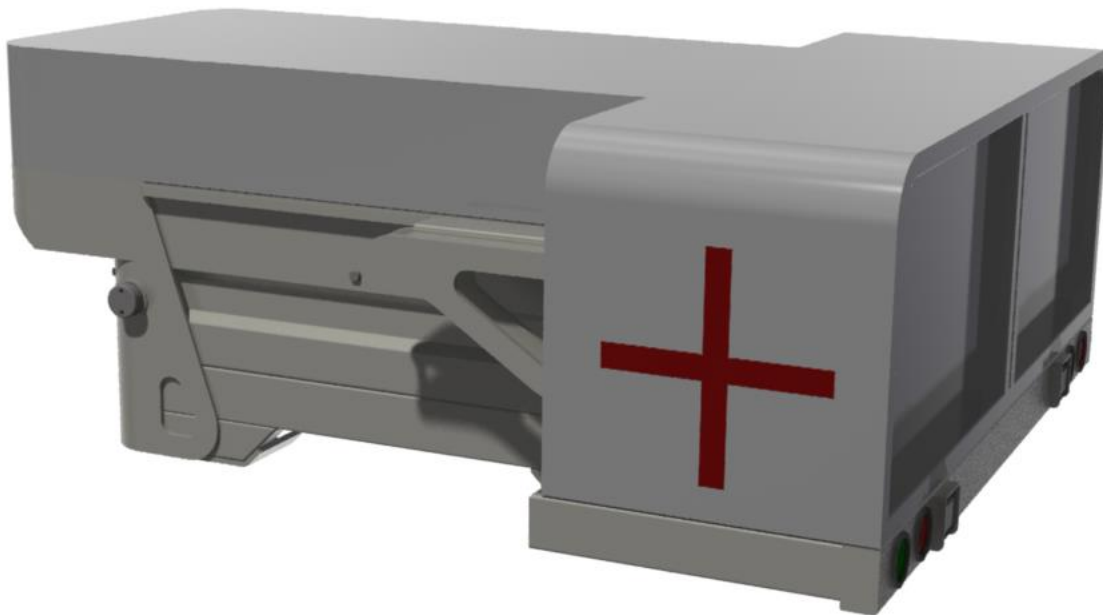
## Commode Cassette

- 2000 L Capacity stainless steel tank
- Access Hatch for cleaning purposes
- Camloc fittings on discharge
- Purpose built, robust toilet assemblies for mining environment
- Removable screens and doors for privacy
- Low Profile design
- Pump supplied for discharge into Municipal Sewage System



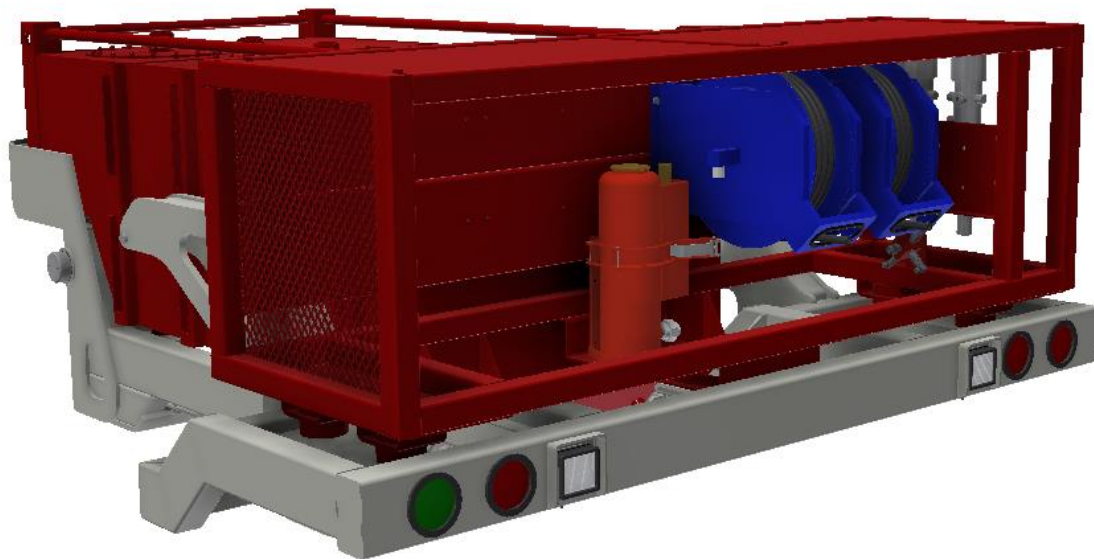
## Ambulance Cassette

- Developed to carry two injured patients and a medic.
- Storage bins for medical equipment, sharps etc.
- Internal LED lighting and provision for oxygen bottle storage.



### Fire Fighting Cassette

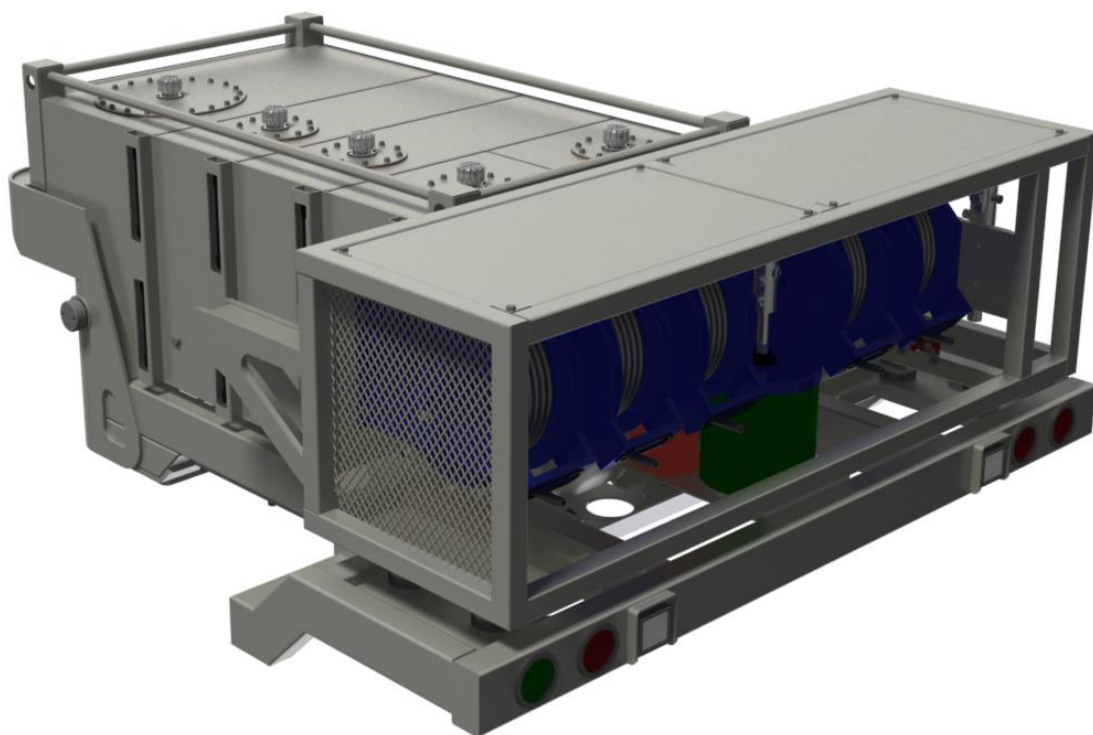
- Ansul Foam system.
- 2000L carrying capacity.
- Dispensing reel and pump to suit application.
- Storage for Rescue equipment



### Diesel Cassette

is based on a Lube and Fuel cassette offers the following features:

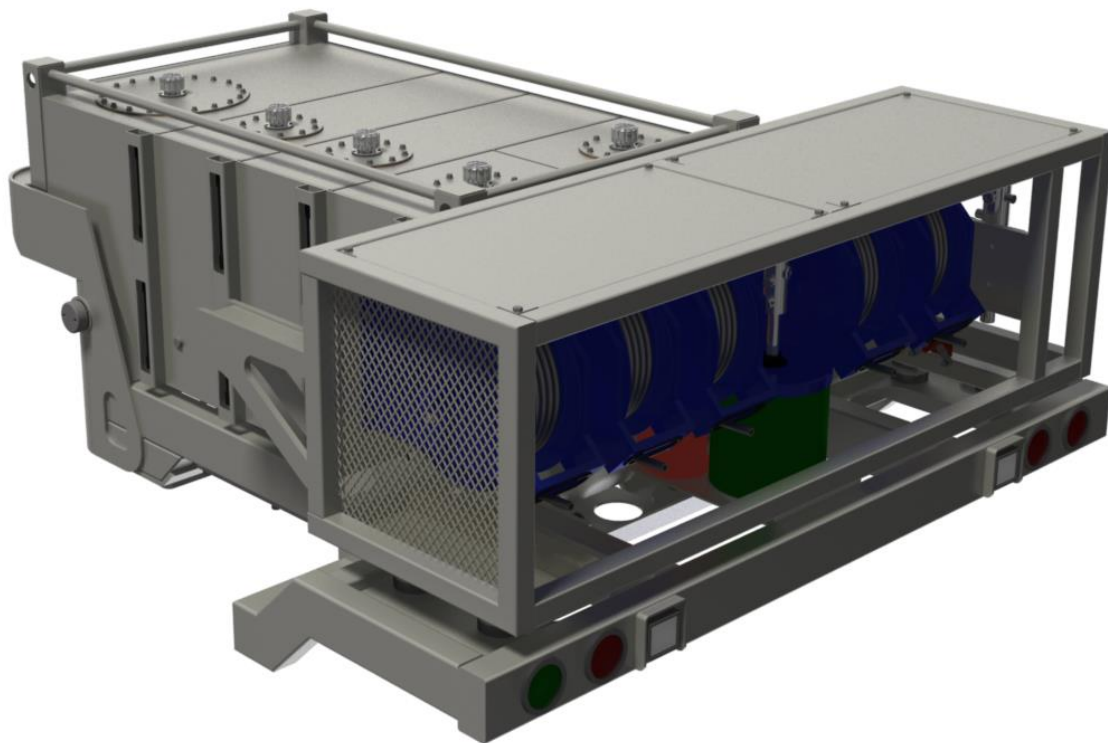
- 2000L capacity
- Electric trailing cable, 380/550Vac (Self powered)
- Hydraulic powered from Carrier
- 4 Nozzle Fire Suppression system



## Lube and Fuel Cassette

offers the following features:

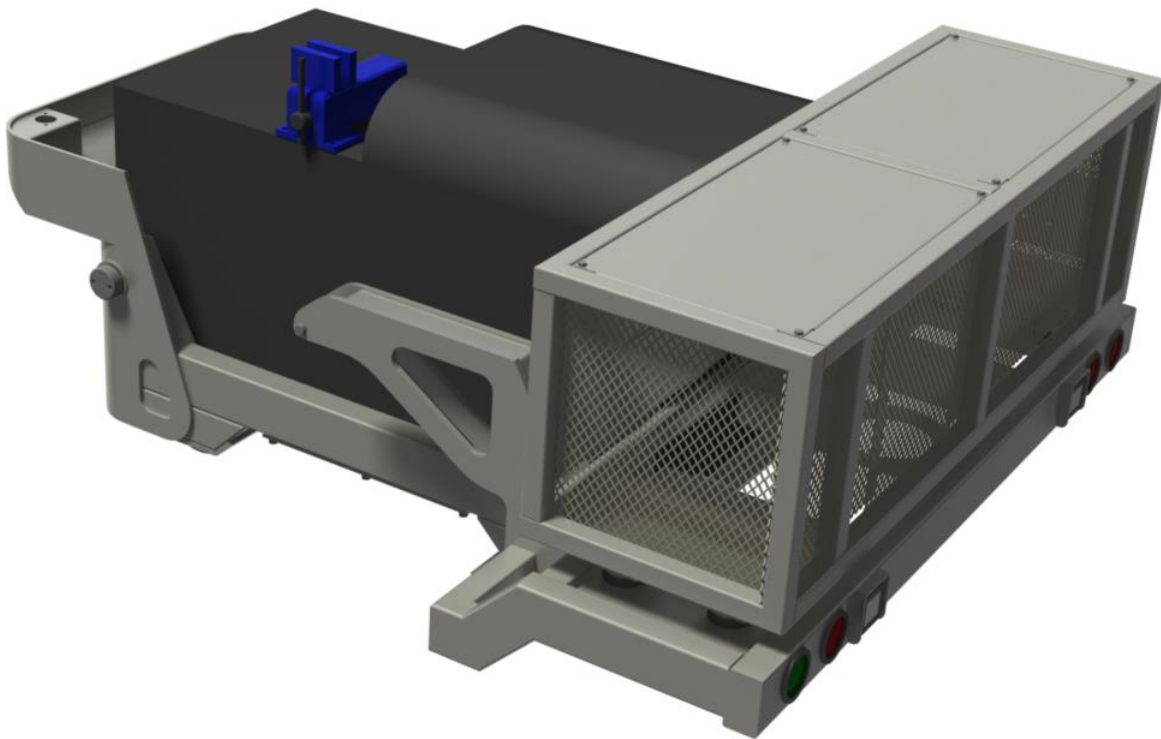
- 2000L capacity
- Electric trailing cable, 380/550Vac (Self powered)
- Hydraulic powered from Carrier
- Multiple Lubes can be carried and dispensed.
- 4 Nozzle Ansul fire suppression system



### Store Cassette

offers the following features:

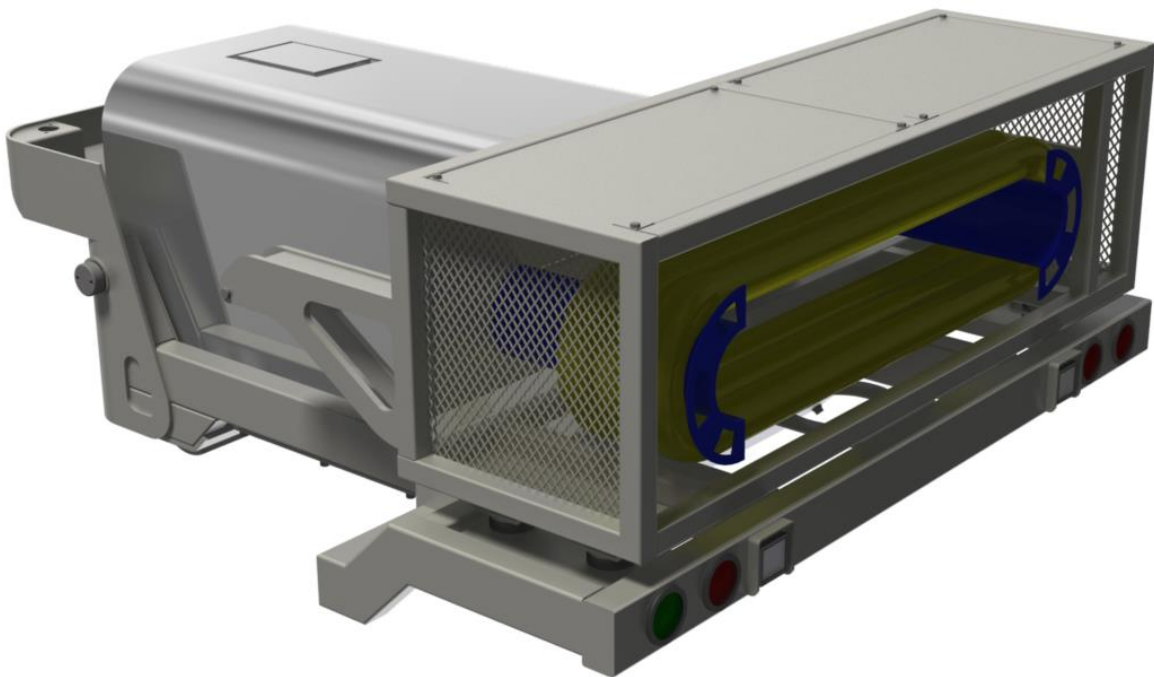
- Lockable equipment cages for security.
- Internal Lighting
- Study Work Surface , mounting for Bench top vice.
- Custom features as per client's request.



## Honey Sucker Cassette

offers the following features:

- 2000L capacity.
- Hydraulic powered pump for discharging effluent.
- Stainless Steel Tank





## General Purpose Transport Utility Vehicle

- the flagship of the UV Botswana product range
- versatile design lends itself to a multitude of applications and can be easily modified to suit specific customers requirements



### ▪ **ENGINE OPTIONS**

#### **Water-Cooled**

CAT C4.4 EPA Tier 3  
Cummins QSB 3,3 EPA Tier 4  
John Deere 4045DF270 EPA Tier 2  
Perkins 1104C-44T EPA Tier 2

#### **Air-Cooled**

Deutz F4L914W EPA Tier 2

Catalytic Purifier & Fume  
Diluter

### ▪ **TRANSMISSION**

Dana Clark Power Shift  
3-speed forward & reverse  
Constant 4-wheel drive

### ▪ **AXLES**

Rigid, Planetary Hub Reduction  
112 Dana Spicer

### ▪ **BRAKES**

Wet Disc Hydraulic Brakes  
Spring applied fail safe park brake  
On all 4 wheels  
Tyre size: 8.25 x 15

### ▪ **STEERING**

Frame Articulation  $\pm 34^\circ$   
Orbital valve & steering wheel  
Frame Oscillation  $\pm 10^\circ$

### ▪ **HYDRAULICS**

175bar, 65lit/min

### ▪ **ELECTRICAL SYSTEM**

24V negative earth  
55A alternator  
Lights Halogen 50W 4 forward  
2 rear with red brake lights  
LED Navigation Lights  
C.A.S. System – Optional  
Overspeed System –Optional  
Data Logging – Optional

### ▪ **PERFORMANCE**

1<sup>st</sup> gear: 5km/hr (max)  
2<sup>nd</sup> gear: 12km/hr  
3<sup>rd</sup> gear: 28km/hr

### ▪ **WEIGHT**

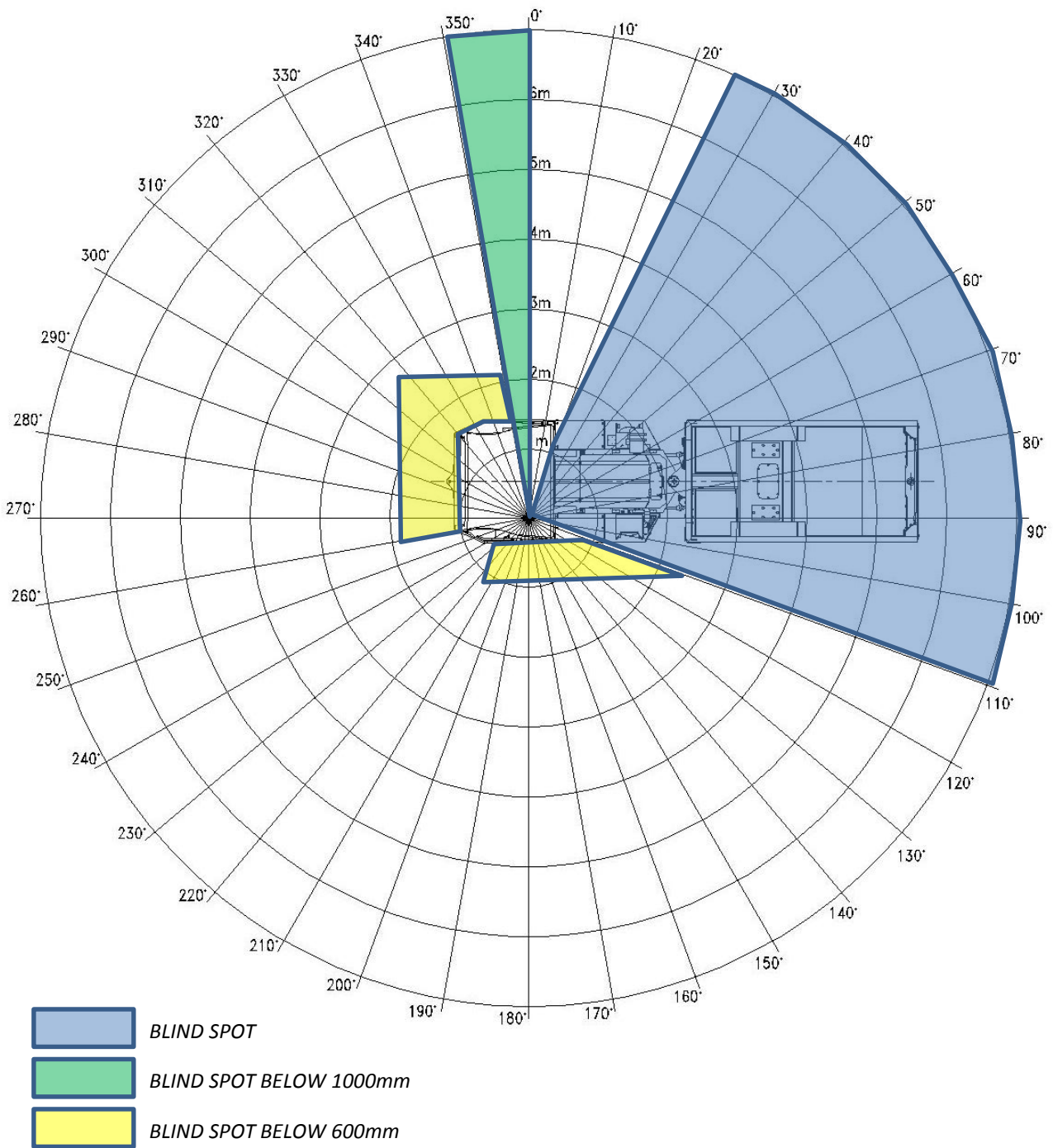
Operating: 3960kg  
Max Payload: 5000kg

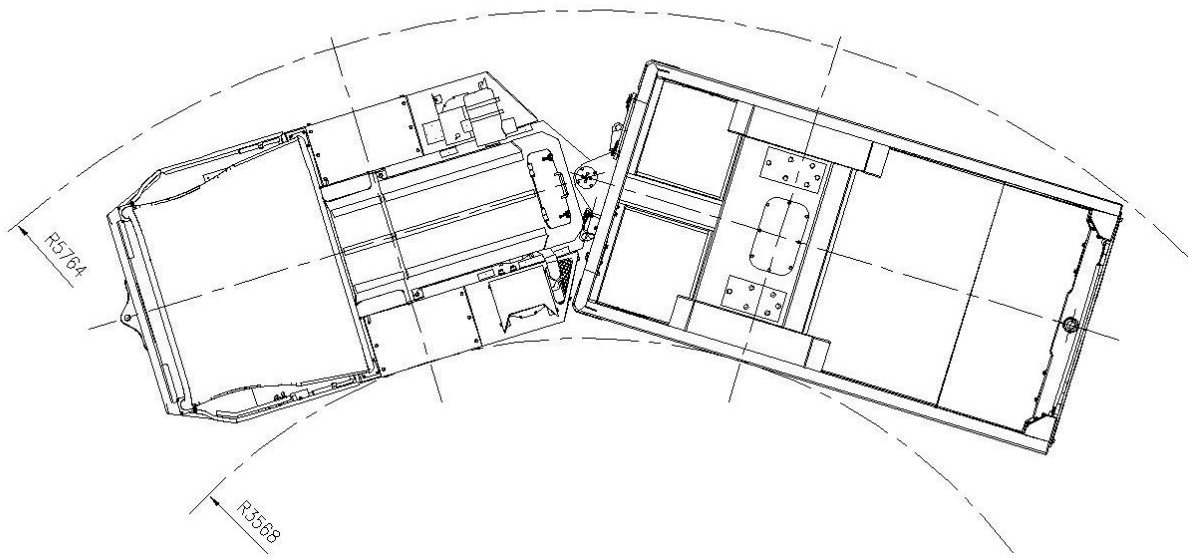
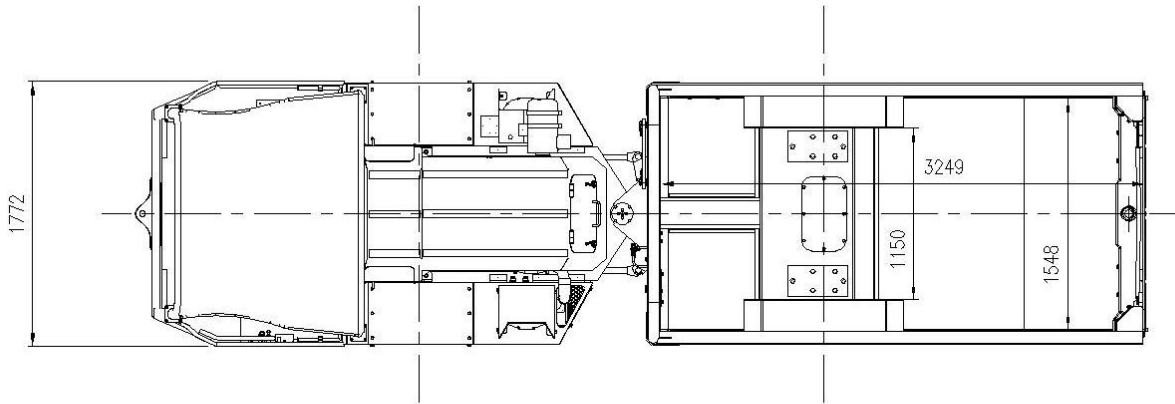
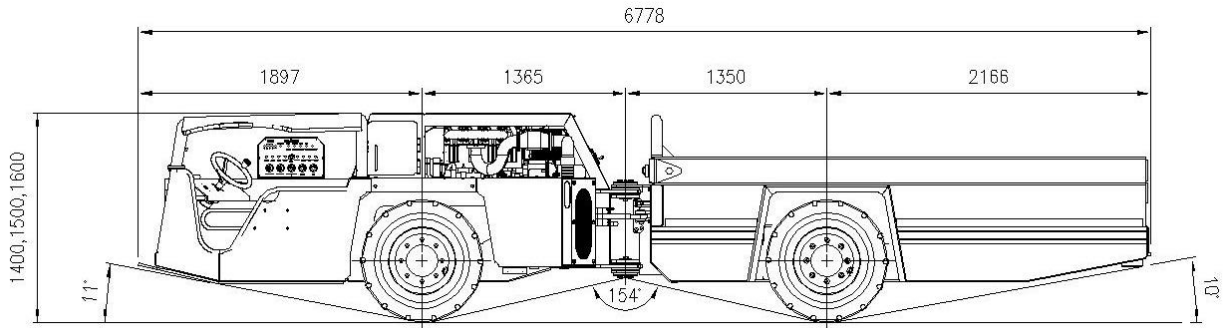
### ▪ **DIMENSIONS**

|                  |        |
|------------------|--------|
| Length           | 6969mm |
| Width            | 1700mm |
| Height           | 1400mm |
| Wheel base       | 2715mm |
| Ground Clearance | 260mm  |

### **TURNING RADIUS**

|       |        |
|-------|--------|
| Outer | 5764mm |
| Inner | 3568mm |





## Bulk Emulsion Carrier Vehicle

- capable of carrying 3 tons of emulsion for the charging-up of faces underground
- this model has been designed in conjunction with AEL, Sasol and Maxam Dantex
- the vehicle is hydrodynamic and has an overall height of 1400mm.



### ▪ **ENGINE OPTIONS**

#### **Water-Cooled**

CAT C4.4 EPA Tier 3

Cummins QSB 3,3 EPA Tier 4

John Deere 4045DF270 EPA Tier 2

Perkins 1104C-44T EPA Tier 2

#### **Air-Cooled**

Deutz F4L914W EPA Tier 2

Catalytic Purifier & Fume

Diluter

### ▪ **TRANSMISSION**

Dana Clark Power Shift

3-speed forward & reverse

Constant 4-wheel drive

### ▪ **AXLES**

Rigid, Planetary Hub Reduction

112 Dana Spicer

### ▪ **BRAKES**

Wet Disc Hydraulic Brakes

Spring applied fail safe park brake

On all 4 wheels

Tyre size: 8.25 x 15

### ▪ **STEERING**

Frame Articulation  $\pm 34^\circ$

Orbital valve & steering wheel

Frame Oscillation  $\pm 10^\circ$

### ▪ **HYDRAULICS**

175bar, 65l/min

### ▪ **ELECTRICAL SYSTEM**

24V negative earth

55A alternator

Lights Halogen 50W 4 forward

2 rear with red brake lights

LED Navigation Lights

C.A.S. System – Optional

Overspeed System –Optional

Data Logging – Optional

### ▪ **PERFORMANCE**

1<sup>st</sup> gear: 5km/hr (max)

2<sup>nd</sup> gear: 12km/hr

3<sup>rd</sup> gear: 28km/hr

### ▪ **WEIGHT**

Operating: 3960kg

Max Payload: 5000kg

### ▪ **DIMENSIONS**

Length 6969mm

Width 1700mm

Height 1400mm

Wheel base 2715mm

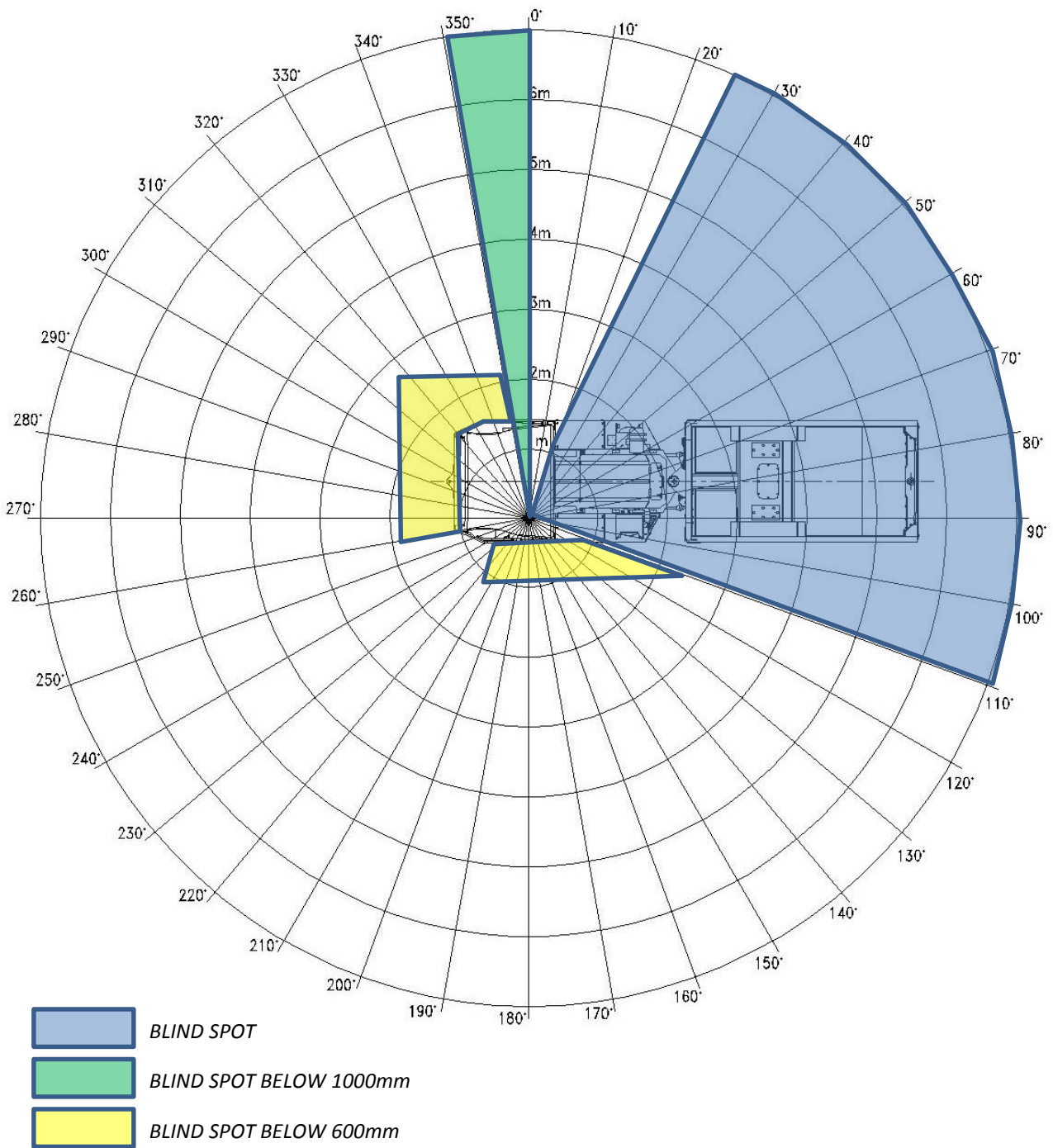
Ground Clearance 260mm

Tank capacity 3000L

### ▪ **TURNING RADIUS**

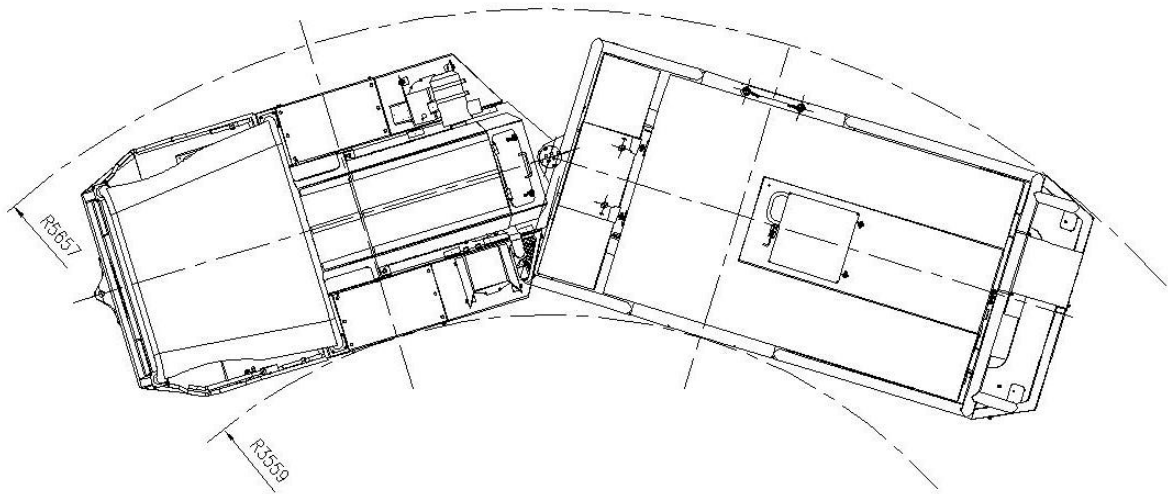
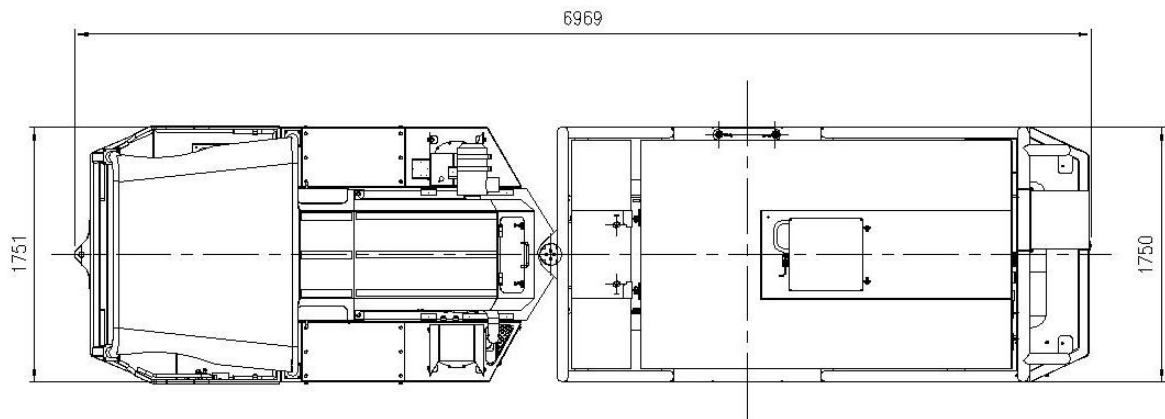
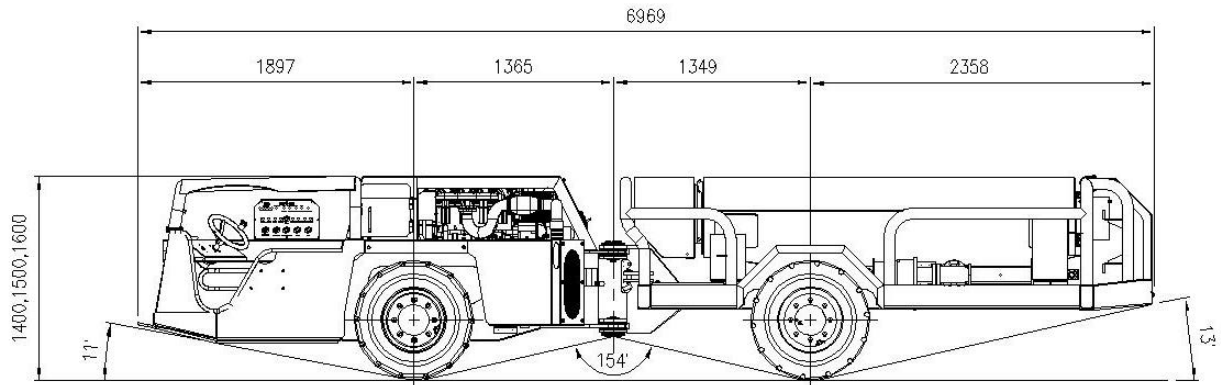
Outer 5657mm

Inner 3559mm



# MV - U50D - CBE

## VEHICLE DIMENSIONS



BULK EMULSION UTILITY VEHICLE



## Ambulance Utility Vehicle

- based on a standard “PT” model vehicle and incorporates space for 2 stretches and a medic
- vehicle is equipped with a hydraulic winch and equipment required for a Proto-vehicle.



### ▪ **ENGINE OPTIONS**

#### **Water-Cooled**

CAT C4.4 EPA Tier 3

Cummins QSB 3,3 EPA Tier 4

John Deere 4045DF270 EPA Tier 2

Perkins 1104C-44T EPA Tier 2

#### **Air-Cooled**

Deutz F4L914W EPA Tier 2

Catalytic Purifier & Fume

Diluter

### ▪ **TRANSMISSION**

Dana Clark Power Shift

3-speed forward & reverse

Constant 4-wheel drive

### ▪ **AXLES**

Rigid, Planetary Hub Reduction

112 Dana Spicer

### ▪ **BRAKES**

Wet Disc Hydraulic Brakes

Spring applied fail safe park brake

On all 4 wheels

Tyre size: 8.25 x 15

### ▪ **STEERING**

Frame Articulation  $\pm 34^\circ$

Orbital valve & steering wheel

Frame Oscillation  $\pm 10^\circ$

### ▪ **HYDRAULICS**

175bar, 65l/min

### ▪ **ELECTRICAL SYSTEM**

24V negative earth

55A alternator

Lights Halogen 50W 4 forward

2 rear with red brake lights

LED Navigation Lights

C.A.S. System – Optional

Overspeed System –Optional

Data Logging – Optional

### ▪ **PERFORMANCE**

1<sup>st</sup> gear: 5km/hr (max)

2<sup>nd</sup> gear: 12km/hr

3<sup>rd</sup> gear: 28km/hr

### ▪ **WEIGHT**

Operating: 3960kg

Max Payload: 5000kg

### ▪ **DIMENSIONS**

Length 6969mm

Width 1700mm

Height 1400mm

Wheel base 2715mm

Ground Clearance 260mm

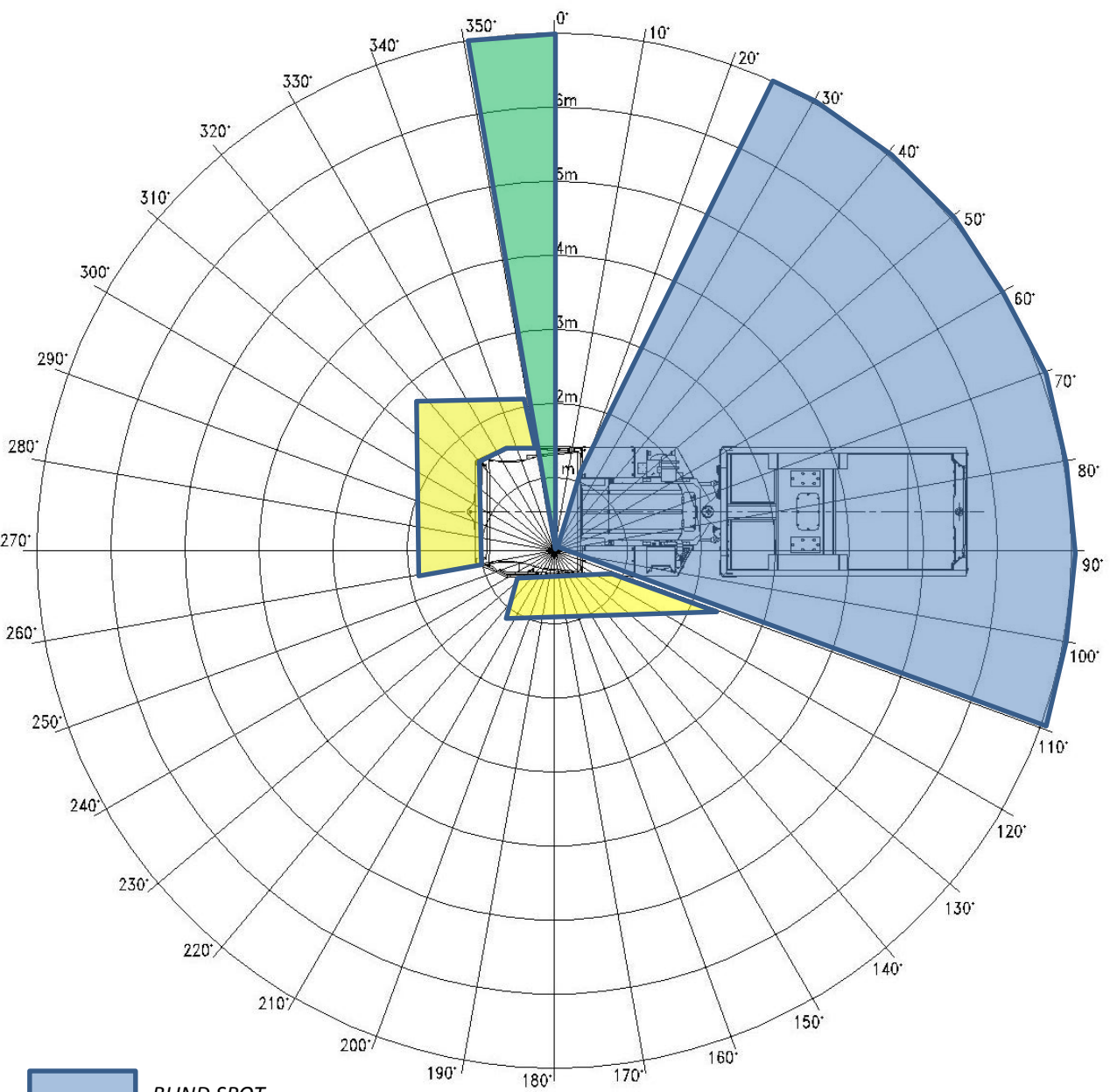
Hydraulic Winch – optional




Proto Equipment– optional

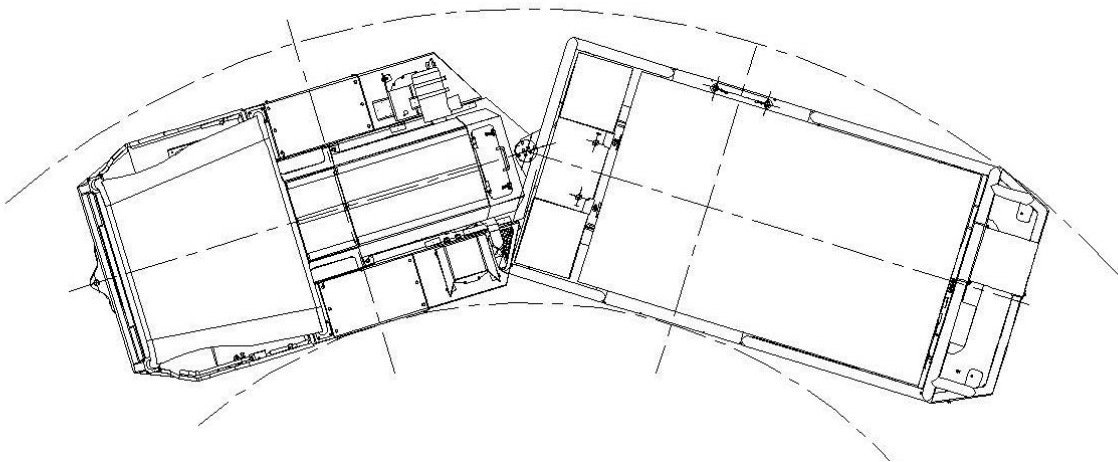
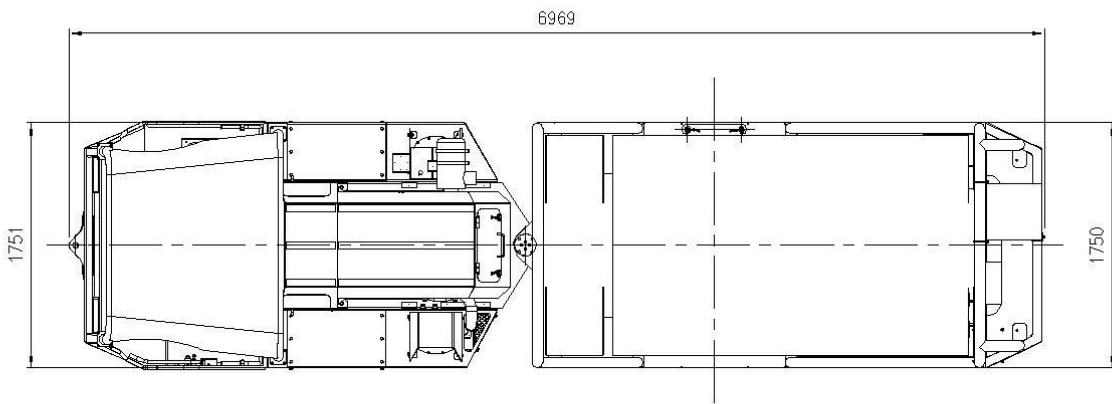
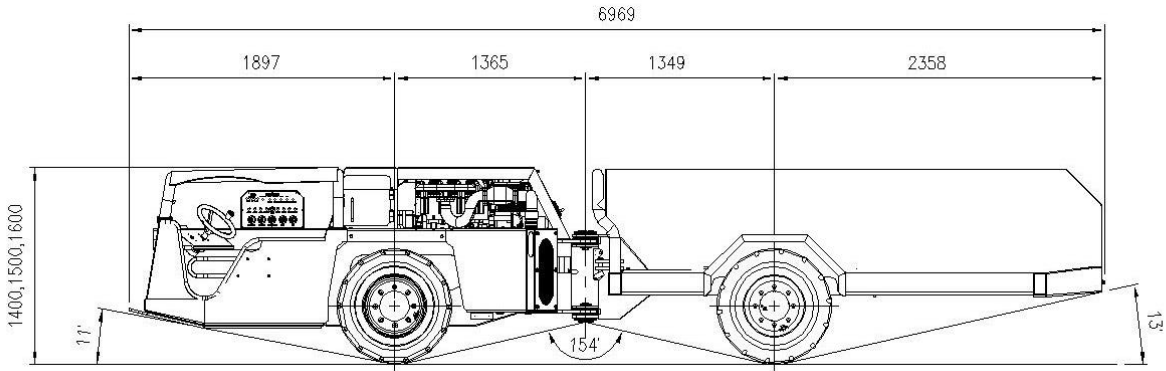
### ▪ **TURNING RADIUS**

Outer 5657mm

Inner 3559mm



-  *BLIND SPOT*
-  *BLIND SPOT BELOW 1000mm*
-  *BLIND SPOT BELOW 600mm*



## Water Bowser Utility Vehicle

- capable of carrying 2000L of water
- equipped with a spray bar for underground as well as hydraulic powered pumps for dispensing water to the underground fleet



### ▪ **ENGINE OPTIONS**

#### **Water-Cooled**

CAT C4.4 EPA Tier 3

Cummins QSB 3,3 EPA Tier 4

John Deere 4045DF270 EPA Tier 2

Perkins 1104C-44T EPA Tier 2

#### **Air-Cooled**

Deutz F4L914W EPA Tier 2

Catalytic Purifier & Fume Diluter

### ▪ **TRANSMISSION**

Dana Clark Power Shift

3-speed forward & reverse

Constant 4-wheel drive

### ▪ **AXLES**

Rigid, Planetary Hub Reduction

112 Dana Spicer

### ▪ **BRAKES**

Wet Disc Hydraulic Brakes

Spring applied fail safe park brake

On all 4 wheels

Tyre size: 8.25 x 15

### ▪ **STEERING**

Frame Articulation  $\pm 34^\circ$

Orbital valve & steering wheel

Frame Oscillation  $\pm 10^\circ$

### ▪ **HYDRAULICS**

175bar, 65lit/min

### ▪ **ELECTRICAL SYSTEM**

24V negative earth

55A alternator

Lights Halogen 50W 4 forward

2 rear with red brake lights

LED Navigation Lights

C.A.S. System – Optional

Overspeed System –Optional

Data Logging – Optional

### ▪ **PERFORMANCE**

1<sup>st</sup> gear: 5km/hr (max)

2<sup>nd</sup> gear: 12km/hr

3<sup>rd</sup> gear: 28km/hr

### ▪ **WEIGHT**

Operating: 3960kg

Max Payload: 5000kg

### ▪ **DIMENSIONS**

Length 6969mm

Width 1700mm

Height 1400mm

Wheel base 2715mm

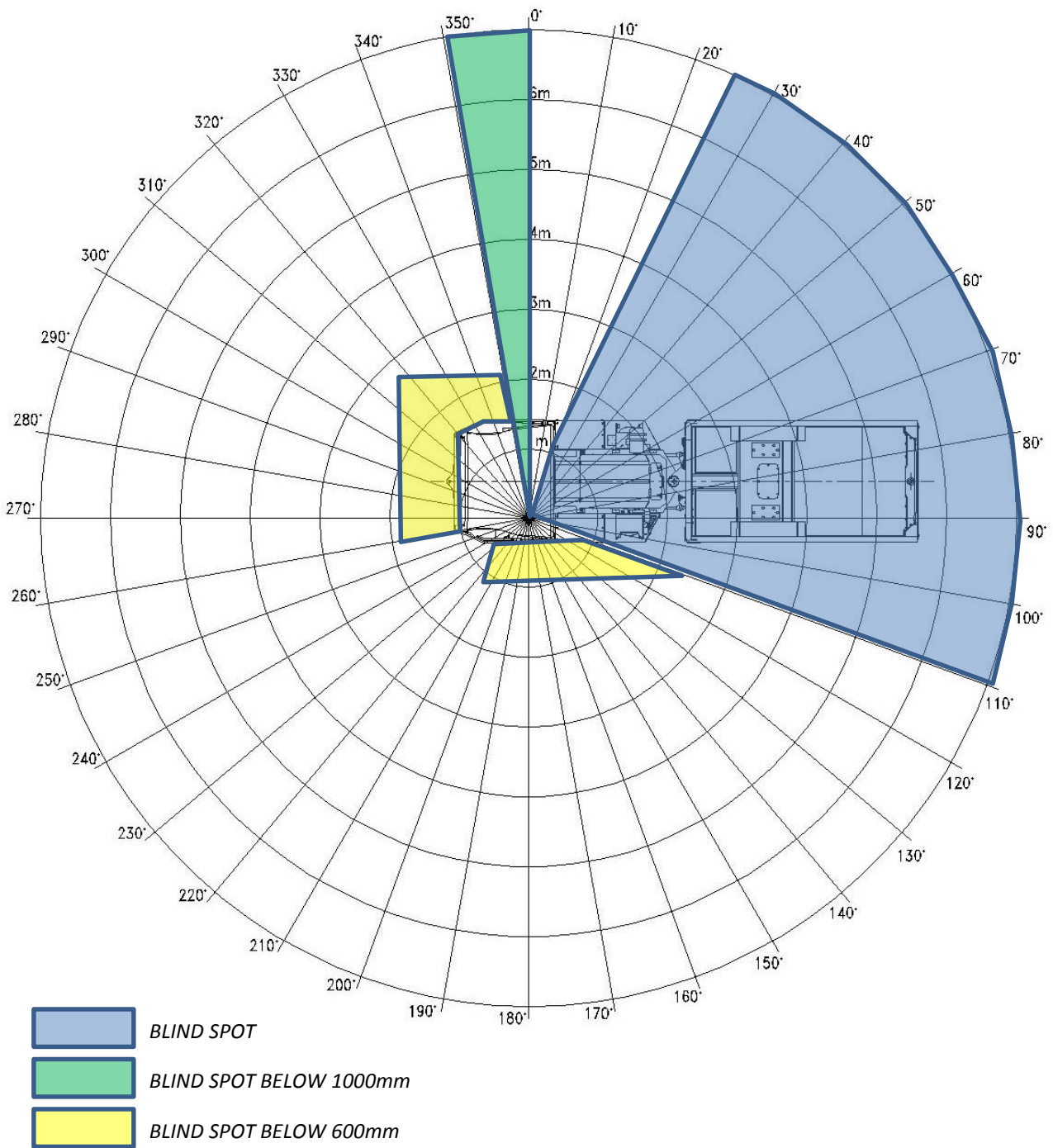
Ground Clearance 260mm

Tank capacity 2000L

### ▪ **TURNING RADIUS**

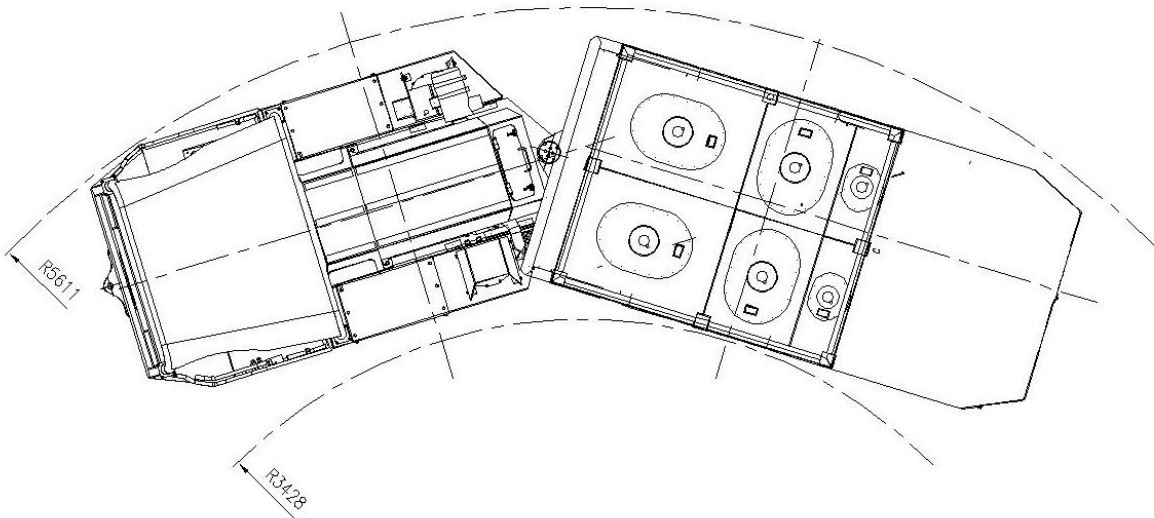
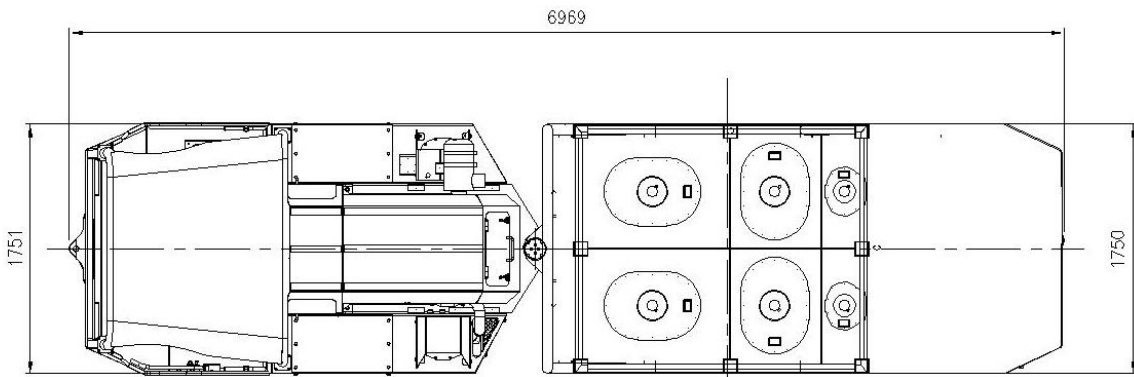
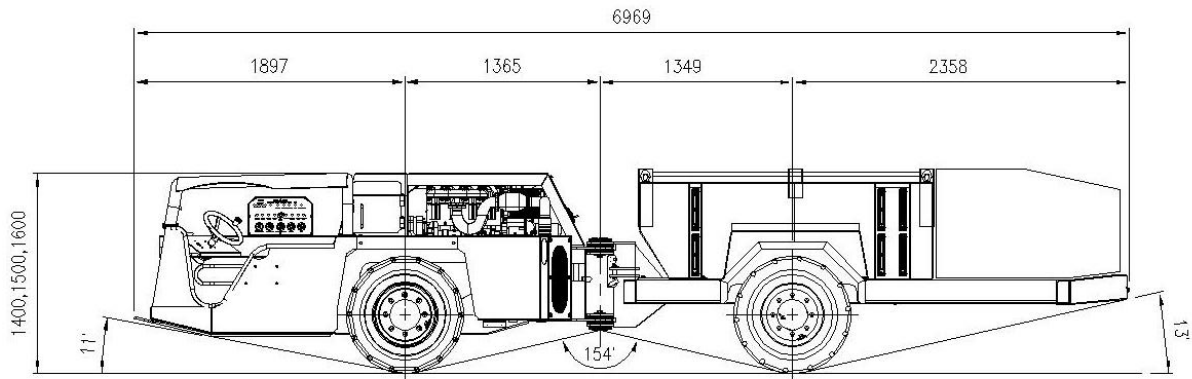
Outer 5657mm

Inner 3559mm



# MV - U50D - LF

## VEHICLE DIMENSIONS



WATER BOWSER UTILITY VEHICLE



## Tyre Handler Utility Vehicle

- developed to deal with the entire operation of changing tyres on underground vehicles.
- able to pick up a new tyre from a store situated on surface, transport tyre to the stricken vehicle situated at the working face underground.
- operators then able to change tyres on the stricken vehicle safely and efficiently. Tyre Handler then able to transport damaged tyre back to surface for repair.



### ▪ **ENGINE OPTIONS**

#### **Water-Cooled**

CAT C4.4 EPA Tier 3

Cummins QSB 3,3 EPA Tier 4

John Deere 4045DF270 EPA Tier 2

Perkins 1104C-44T EPA Tier 2

#### **Air-Cooled**

Deutz F4L914W EPA Tier 2

Catalytic Purifier & Fume

Diluter

### ▪ **TRANSMISSION**

Dana Clark Power Shift

3-speed forward & reverse

Constant 4-wheel drive

### ▪ **AXLES**

Rigid, Planetary Hub Reduction

112 Dana Spicer

### ▪ **BRAKES**

Wet Disc Hydraulic Brakes

Spring applied fail safe park brake

On all 4 wheels

Tyre size: 8.25 x 15

### ▪ **STEERING**

Frame Articulation  $\pm 34^\circ$

Orbital valve & steering wheel

Frame Oscillation  $\pm 10^\circ$

### ▪ **HYDRAULICS**

175bar, 65lit/min

### ▪ **ELECTRICAL SYSTEM**

24V negative earth

55A alternator

Lights Halogen 50W 4 forward

2 rear with red brake lights

LED Navigation Lights

C.A.S. System – Optional

Overspeed System –Optional

Data Logging – Optional

### ▪ **PERFORMANCE**

1<sup>st</sup> gear: 5km/hr (max)

2<sup>nd</sup> gear: 12km/hr

3<sup>rd</sup> gear: 28km/hr

### ▪ **WEIGHT**

Operating: 3960kg

Max Payload: 1800kg

### ▪ **DIMENSIONS**

Length 6969mm

Width 1700mm

Height 1400mm

Wheel base 2715mm

Ground Clearance 260mm

Handles a 26,5 x R25 Tyre

1,8 Tonne lifting capacity

Lube Tank optional

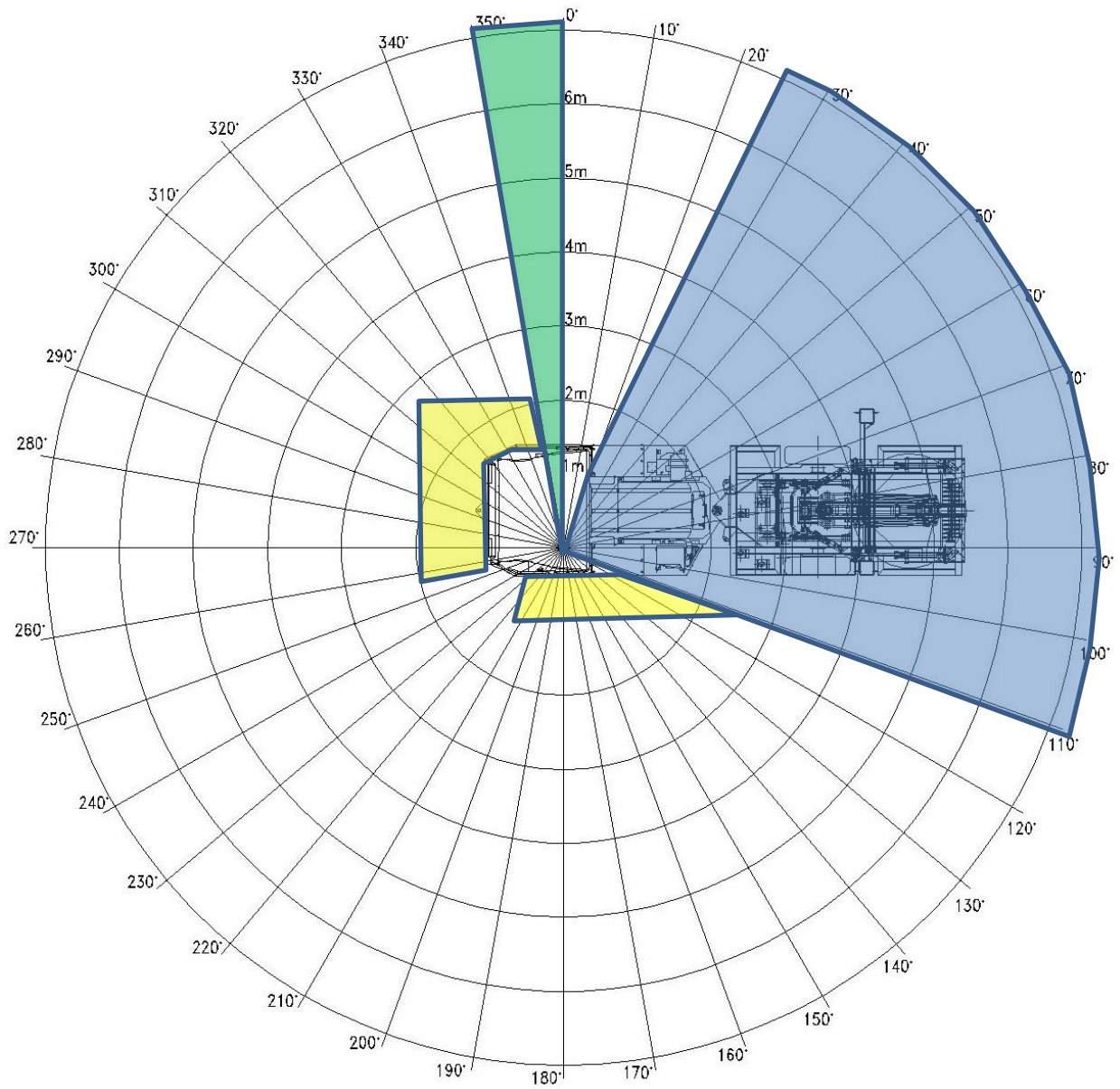
Onboard Air



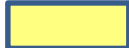
P.T.O. Jacks

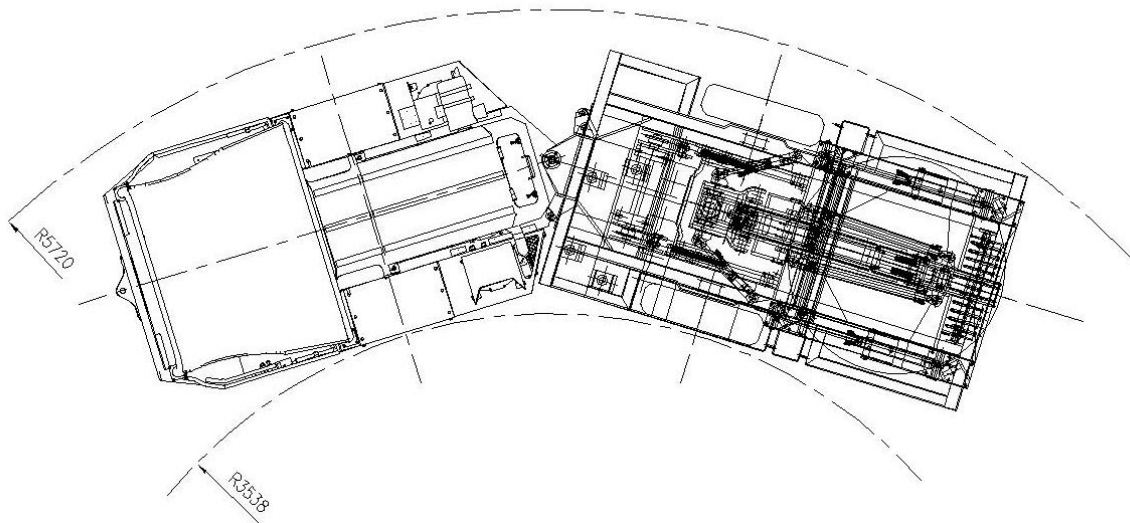
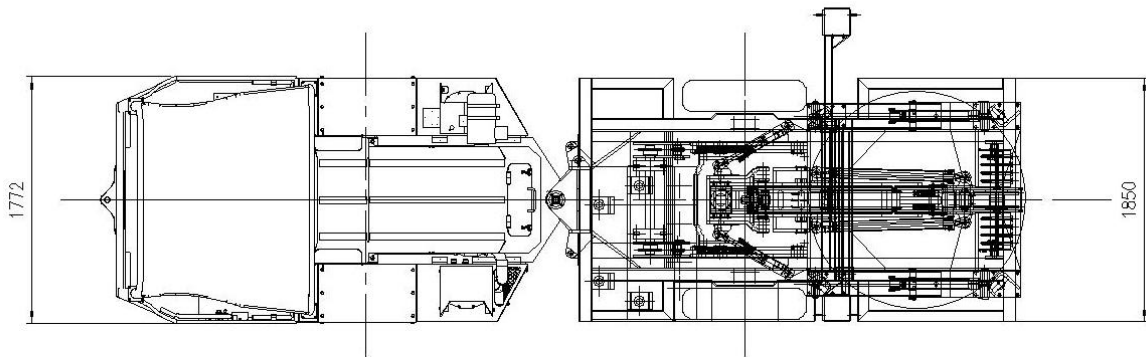
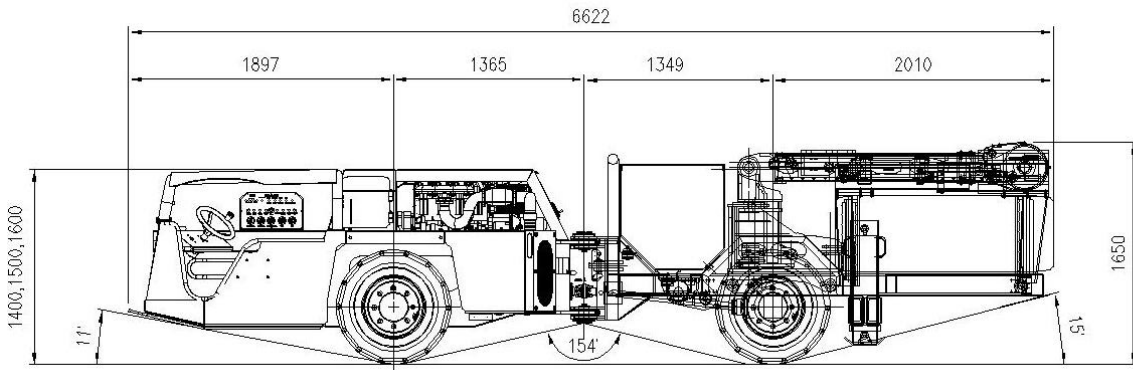
### **TURNING RADIUS**

Outer 5764mm

Inner 3568mm



-  *BLIND SPOT*
-  *BLIND SPOT BELOW 1000mm*
-  *BLIND SPOT BELOW 600mm*



## Rock Ranger 150

- Purpose-built supervision vehicle
- unique because of its coil spring suspension and articulated frame
- capable of carrying 5 pax and a 1 tonne payload
- has the option of a hydraulic tail lift, a personnel module allowing 3 additional people to be carried
- also boasts hub mounted wet disc brakes, making it fully compliant with S.A.NS. 1589



- **ENGINE OPTIONS**

- **Water-Cooled**

- CAT C4.4 EPA Tier 3
    - Cummins QSB 3,3 EPA Tier 4
    - John Deere 4045DF270 EPA Tier 2
    - Perkins 1104C-44T EPA Tier 2

- **Air-Cooled**

- Deutz F4L914W EPA Tier 2

- Catalytic Purifier & Fume Diluter

- **TRANSMISSION**

- Dana Clark Power Shift  
4-speed forward & reverse  
Constant 4-wheel drive

- **AXLES**

- Rigid, Planetary Hub Reduction  
Coil Spring suspension system

- **BRAKES**

- Wet Disc Hydraulic Brakes  
(hub mounted)  
Spring applied fail safe park brake  
On all 4 wheels  
Tyre size: 8.25 x 15

- **STEERING**

- Frame Articulation  $\pm 32^\circ$   
Orbital valve & steering wheel  
Frame Oscillation  $\pm 10^\circ$

- **HYDRAULICS**

- 175bar, 65l/min

- **ELECTRICAL SYSTEM**

- 24V negative earth  
55A alternator  
Lights Halogen 50W 4 forward  
2 rear with red brake lights  
LED Navigation Lights  
C.A.S. System – Optional  
Overspeed System –Optional  
Data Logging – Optional

- **PERFORMANCE**

- 1<sup>st</sup> gear: 5km/hr (max)  
2<sup>nd</sup> gear: 12km/hr  
3<sup>rd</sup> gear: 28km/hr  
4<sup>th</sup> gear: 32km/hr

- **WEIGHT**

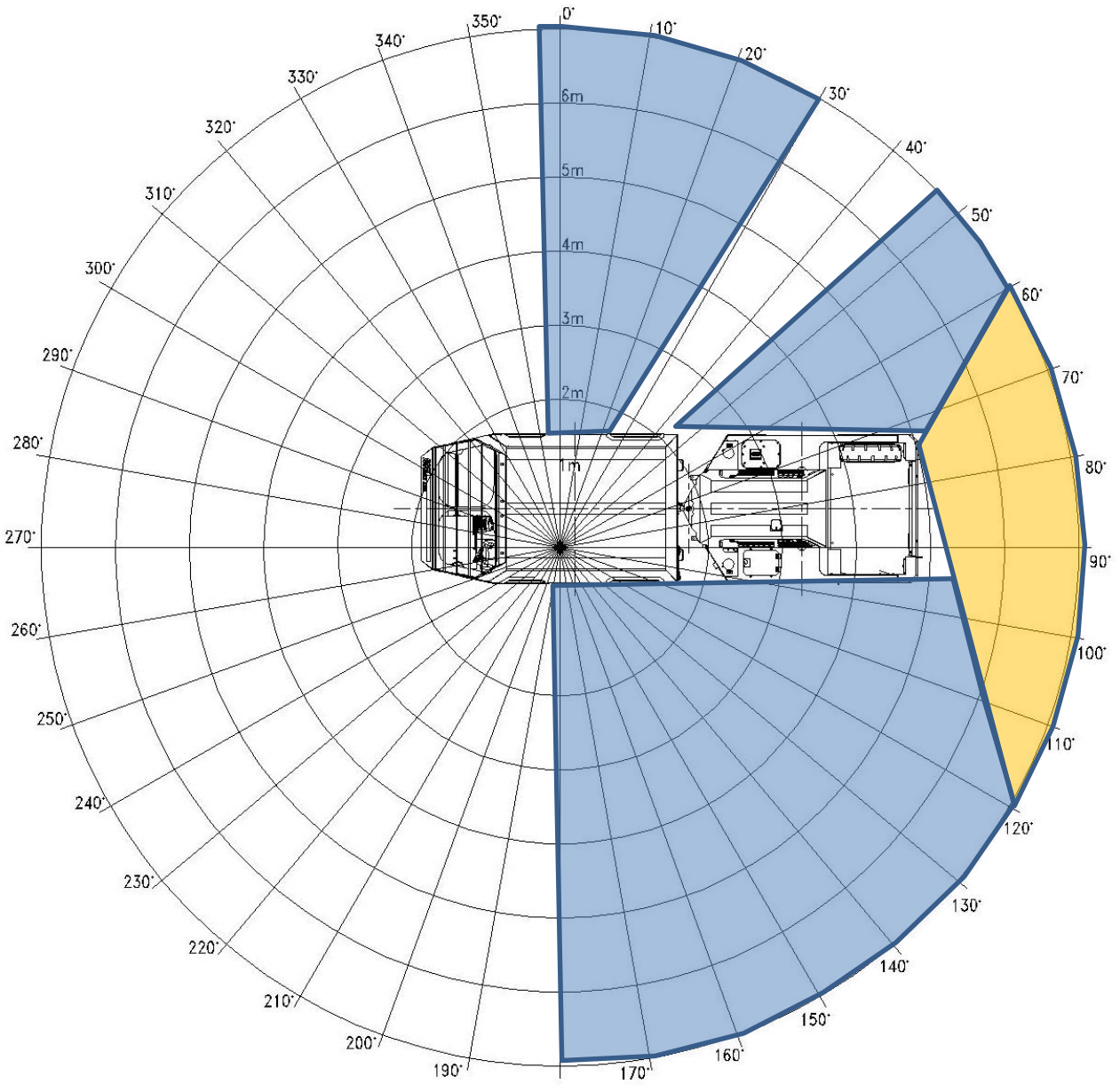
- Operating: 4000kg  
Max Payload: 1000kg





- **DIMENSIONS**

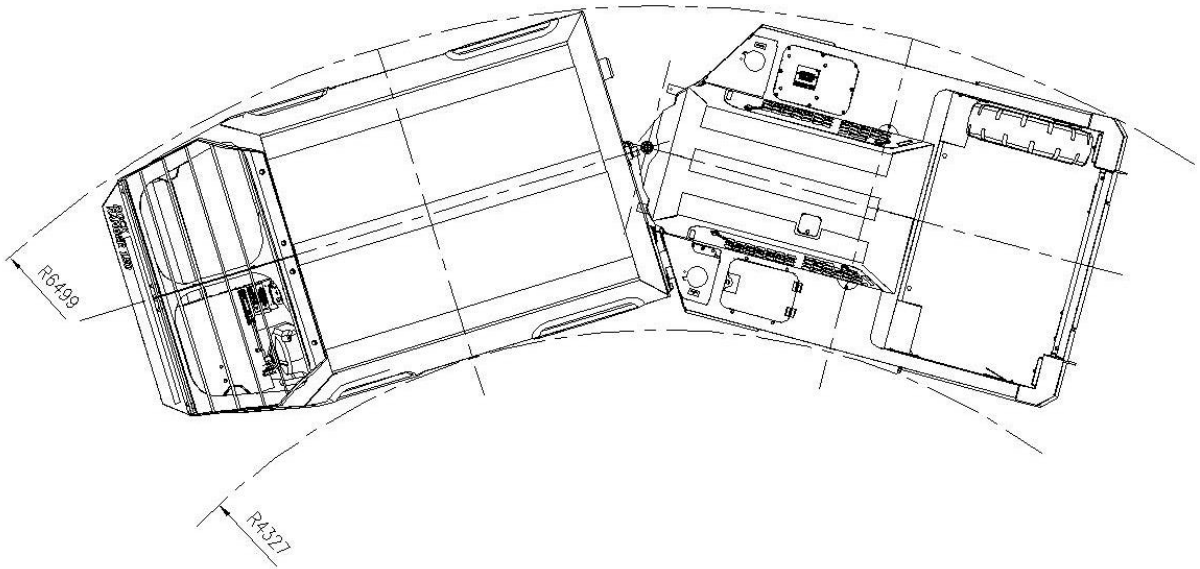
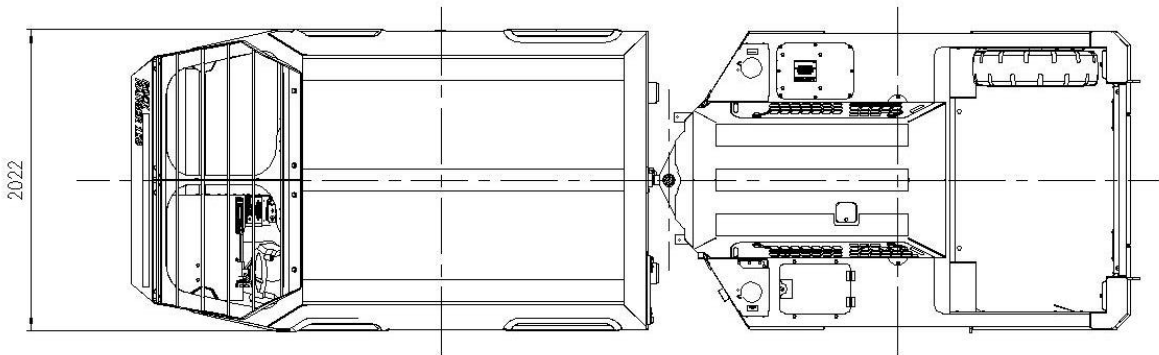
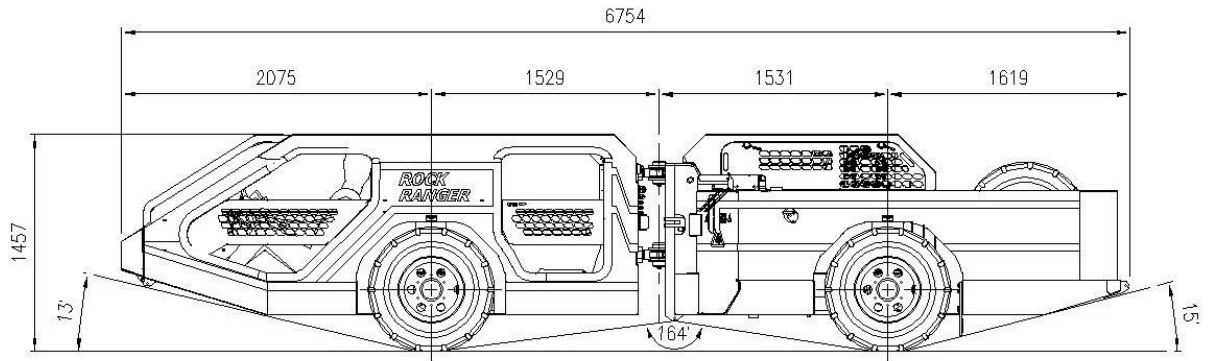
- Length 6969mm  
Width 1700mm  
Height 1400mm  
Wheel base 2715mm  
Ground Clearance 260mm  
Seating 5 Pax.

- **TURNING RADIUS**

- Outer 6499mm  
Inner 4327mm



-  REAR VIEW CAMERA
-  BLIND SPOT
-  BLIND SPOT BELOW 1000mm
-  BLIND SPOT BELOW 600mm





UV Botswana prides itself on the ability to deliver customer specific, purpose-built low profile Utility Vehicles.

In order to continuously offer the client innovative and tailor-made solutions for their low profile utility needs, UV Botswana has a vast range of vehicles in operation, as well as a constant development of concept vehicles under testing through our Research and Design Department, therefore information in this brochure is subject to change without notice.

In order to obtain the latest technical sales specifications and a quote, please contact our factory or authorised distributors:



### **UVBotswana**

Tel: +267 241 9922

Email: [salesandsupport@uvbotswana.co.bw](mailto:salesandsupport@uvbotswana.co.bw)



### **GHH Mining Machines**

Tel: +27 894 8221-4

Email: [sales@ghmm.co.za](mailto:sales@ghmm.co.za)



### **Minetech**

Tel: +267 241 2725

Email: [accounts@minetech.co.bw](mailto:accounts@minetech.co.bw)



### **Mine Machines**

Tel: +263 9 77827/ 66884/ 79932

Email: [sales@minemachines.co.zw](mailto:sales@minemachines.co.zw)