



AUTOMATIC SELF-CLEANING FILTER

www.filternox.com

SFH-P

Economical Models

Universal Filter in One Stage

Filternox® Automatic Self-Cleaning SFH-P models are supplied without coarse screen and suitable for low flow applications in industrial plants, local irrigation systems and secondary filtration for irrigation.

Filternox® Automatic Self-Cleaning Filters, with their stainless steel construction, hydraulic controlled pressure operation not requiring electrical power, automatic self-cleaning system and ease of installation and maintenance are a total and permanent solution to filtration requirements.



SFH-P

General Technical Specifications

Body Material	: AISI 304L (AISI 316L optional)	Headloss at Max. Flow Rate	: 0.2 bar
Screen Material	: AISI 316L	Approximate Back-Flush Time	: max. 10-15 sec.
Max. Operating Pressure	: 10 bar (16-25 bar optional)	Approximate Back-Flush Water Consumption	: 80-120 l/back-flush
Min. Inlet Pressure Required		Control System	: Hydraulic or Electric
During Back-Flush	: 2 bar	Fine Screen Range	: 10 - 3000 micron
Max. Operating Temperature	: 60°C (90°C optional)		

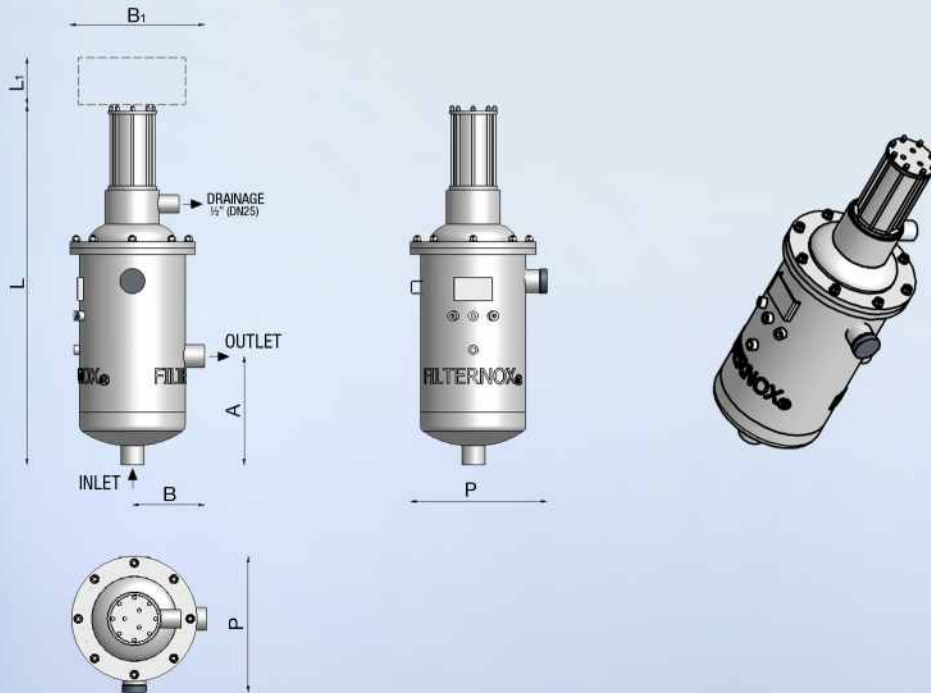
For low pressure (0.5-2 bar) and different materials, custom made filter can be produced.

For larger surface area and optional Motor Reducer Models, please contact to the Filternox® local representatives.

Standard SFH-P Models

Model	FLOW RATE (m ³ /h)	SURFACE AREA (cm ²)	CONNECTION	INLET-OUTLET DIAMETER		DIMENSIONS						WEIGHT	
				(inch)	(mm)	A	B	B1	L	L1	P	(Empty)	(Full)
SFH 110102-P	10-25	1200	THREADED	2	50	281	187	349	928	500	369	40	70
SFH 110103-P	15-40	1200	THREADED	3	80	298	199	361	940	500	369	45	75
SFH 110104-P	20-50	1200	FLANGED	4	100	375	237	399	966	500	369	50	80
SFH 110202-P	15-25	2400	THREADED	2	50	381	187	349	1128	700	369	45	80
SFH 110203-P	20-40	2400	THREADED	3	80	398	199	361	1140	700	369	50	85
SFH 110204-P	25-60	2400	FLANGED	4	100	425	237	399	1167	700	369	55	90
SFH 110206-P	30-80	2400	FLANGED	6	150	466	267	429	1187	700	369	60	95

Dimensions and technical specifications are only for information. Antel-Filternox® reserves the right to modify them. Please contact Antel-Filternox® or local representative for actual and detailed information.



ANTEL ARITMA TESİSLERİ İNŞAAT SANAYİ VE TİCARET A.Ş.

Nurettin Duman Sk. Kızıltoprak Plaza No: 34 Yukarı Dudullu / Ümraniye 34775 İstanbul - TURKEY