

Vibro-EP

ANTIVIBRATION ELASTIC PAD

APPLICATIONS

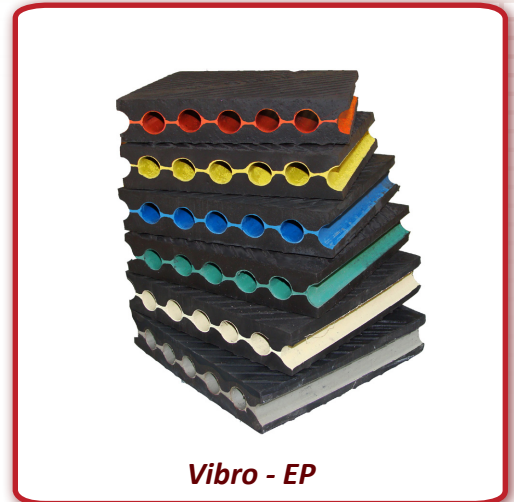
Vibro-EP can be used for vibration absorption in the following applications:

- Antivibration mounts of aircompressors, pumps, fans, generator sets, cutting machines, etc.
- Floating supports: industrial floors, elevators, printing machines, testing machines, etc.

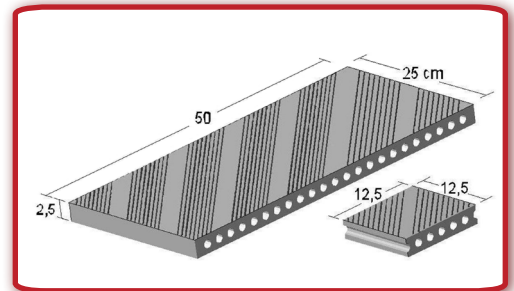
DESCRIPTION

VIBRO-EP is the result of specialized research and is produced in this form since 1989, made from first-rate elastomeric material mixed with special substances for its further improvement.

Its longitudinal holes increase the provided compression and improve vibration absorption. They can be used in multiple layers with the use of steel plate in between in order to reduce the natural frequency down to 4 Hz.



Vibro - EP



SELECTION TABLE

Elastomeric special rubber compound:

Grey, Blue, Red

Neoprene : Green - Yellow - Beige

VIBRO EP TYPE	DIMENSIONS (cm)	MAX STATIC LOAD(Kp)	LOAD (Kp/cm ²)
GREY OR BEIGE	50x25	3.800	2-3
	12,5x12,5	400	1,8 - 2,5
BLUE OR GREEN	50x25	2.500	1,5 - 2
	12,5x12,5	280	1 - 1,8
	6x6	60	-
RED OR YELLOW	50x25	1.800	1 - 1,5
	12,5x12,5	180	0,8 - 1,2
	6x6	40	-

*(1Kp=10N)

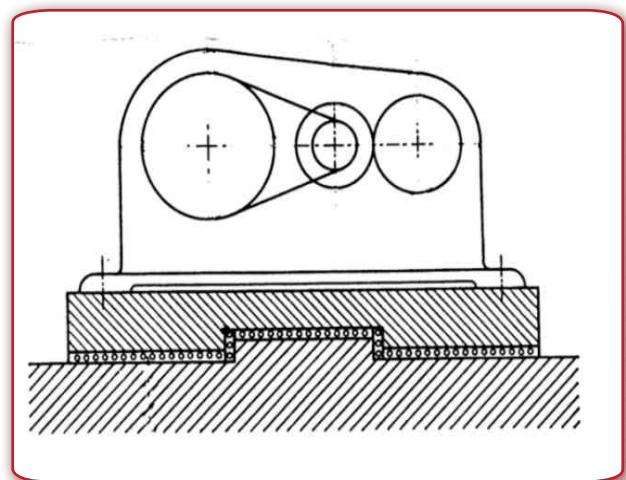
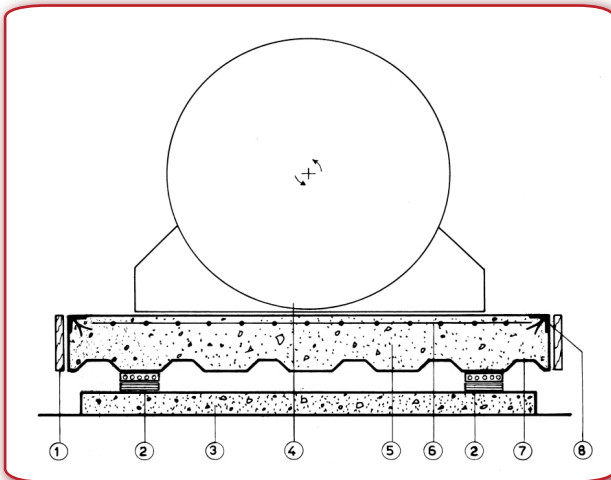
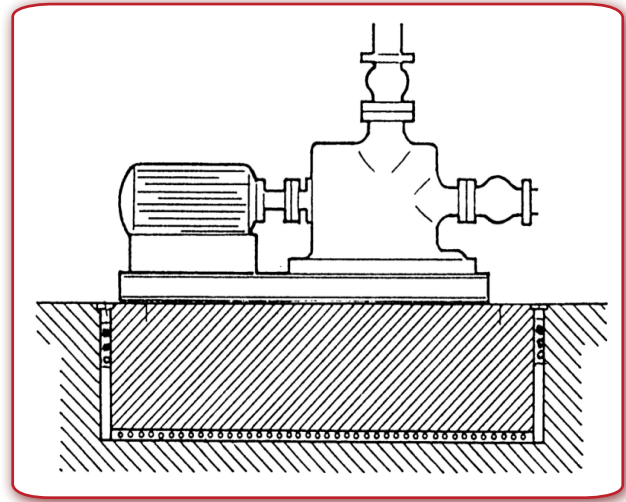
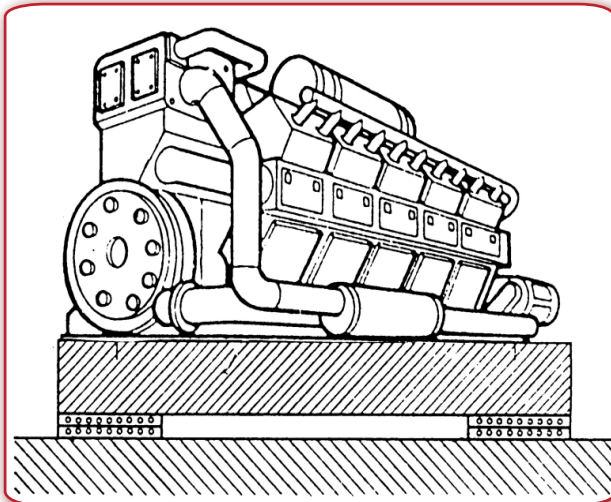
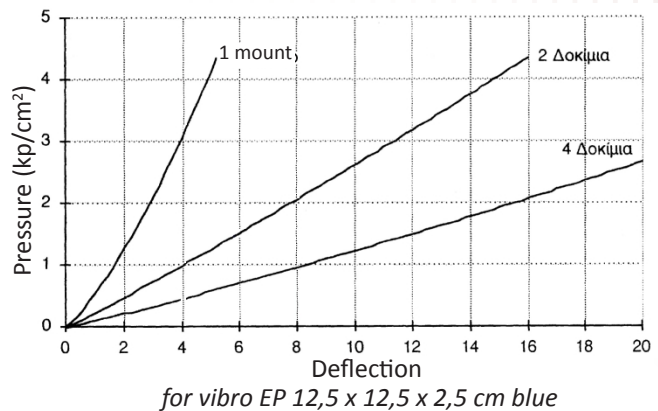


INSTALLATION

Due to its high abrasion coefficient, **VIBRO-EP** does normally not require to be fixed using screws, glue or plugs.

It can be placed under machinery, metal supports of machinery or under concrete floating inertia supports, in single or multiple layers.

DEFLECTION - LOAD DIAGRAM



Design and Production according to International Standard ISO 9001.2008.

ALPHA ACOUSTIKI LTD

73 Apostolopoulou St. Chalandri 15231 Greece

T: +30 210 6779875 - F: +30 210 6779269

www.vibro.gr - info@vibro.gr