

# **Pre-insulated ducts and fittings**

IZOL<sup>®</sup>system

# Pre-insulated TECHNICAL SPECIFICATION

## Introduction

We would like to introduce our offer for IZOL®system pre-insulated ducts and fittings.

Pre-insulated ducts and fittings, used inside and outside, are called IZOL®system. IZOL®system consists of inside and outside galvanised cover, and mineral wool in the middle.

Nominal dimension of diameter 100 -500 mm always defines inside ducts diameters and fittings diameters.

### Isolation

Three type of isolation are used:

- **10 isolation** – nominal isolation thickness is 10 mm, strictly corresponds to inside and outside SPIRAL®system covers
- **16 isolation** – nominal isolation thickness is 16 mm, strictly corresponds to inside and outside SPIRAL®system covers
- **25 isolation** – nominal isolation thickness is 25 mm, real 20 -30 mm, strictly corresponds to inside and outside SPIRAL®system covers
- **50 isolation** – nominal isolation thickness is 50 mm, real 40 - 60 mm, strictly corresponds to inside and outside SPIRAL®system covers

### Covers

Inside and outside covers are made of galvanised shee.

## Tolerance for ducts

$\varnothing d_{nom}$ [mm]	min. - max. diameter $\varnothing d_{nommin} - \varnothing d_{nommax}$ [mm]
80	80,0 - 80,5
100	100,0 - 100,5
112	112,0 - 112,5
125	125,0 - 125,5
132	132,0 - 132,5
140	140,0 - 140,6
150	150,0 - 150,6
157	157,0 - 157,6
160	160,0 - 160,6
180	180,0 - 180,7
192	192,0 - 192,7
200	200,0 - 200,7
224	224,0 - 224,8
232	232,0 - 232,8
250	250,0 - 250,8
280	280,0 - 280,9
300	300,0 - 300,9
315	315,0 - 315,9
355	355,0 - 356,0
400	400,0 - 401,0
450	450,0 - 451,1
500	500,0 - 501,1
560	560,0 - 561,2

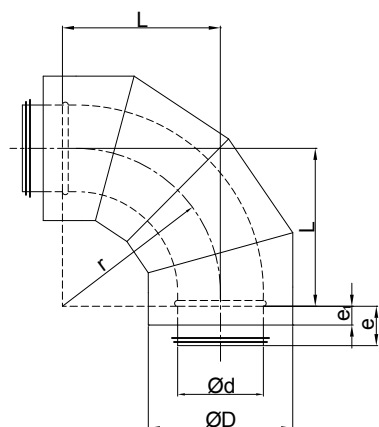
Above tolerances are standard dimensions for IZOL®system and ensure complete closure of the air flow. Diameters made of thinner sheet are provided with external corrugation:  
t = + 0,2 mm.

»Ød« is up to standard PN-EN-1506:2001

# Pre-insulated TECHNICAL SPECIFICATION

## Tolerance for fittings

$\varnothing d_{nom}$ [mm]	min. - max. šrednica $\varnothing d_{nommin} - \varnothing d_{nommax}$ [mm]
80	78,8 - 79,3
100	98,8 - 99,3
112	110,8 - 111,7
125	123,8 - 124,3
132	130,8 - 131,3
140	138,7 - 139,3
150	148,7 - 149,3
157	155,7 - 156,3
160	158,7 - 159,3
180	178,6 - 179,3
192	190,6 - 191,3
200	198,6 - 199,3
224	222,5 - 223,3
232	230,5 - 231,3
250	248,5 - 249,3
280	278,4 - 279,3
300	298,4 - 299,3
315	313,4 - 314,3
355	353,3 - 354,3
400	398,3 - 399,3
450	448,2 - 449,3
500	498,2 - 499,3
560	558,1 - 559,3



$\varnothing d$ nom. [mm]	$e$ [mm]	$e_1$ [mm]	tolerance $e, e_1$ [mm]
80-224	36	20	0 -5
250-355	55	20	0 -5
400-560	75	35	0 -10

## Connection layout

### 1. Connection.

If isolation is outside, it is important to use outside covers. Suitable, for example, are isolation clamps MSFK with EPDM rubber, resistant and leakproof.

### 2. Ducts mounting.

Clamps and bands are used to pre-insulated ducts as a standard and are used in similar way as in conventional system.

## Signage

All Alnor products are marked class **B** building specification and product codes are up to technical specification included in this technical catalogue.



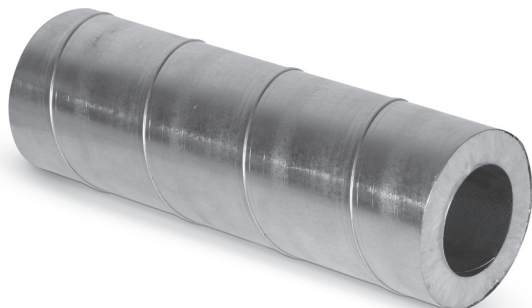
## Airtight Ducting System

Internal ducts and fittings of pre-insulated IZOL® system are the SPIRAL® system.

SPIRAL® is a well-proven system of spiral-seam quick-connect ducts and fittings with factory-installed EPDM rubber gasket. The gasket ensures a tight and permanent connection between SPIRAL® system components. The system is available in a full range of sizes, from  $\varnothing 80$  to the largest ones, such as  $\varnothing 1250$ mm.

The SPIRAL system meets the requirements of tightness class D (certificate No. 0103/07) as defined in the PN-EN 12237 standard.

The high quality and efficient, factory-installed rubber gaskets make the installation of the system easy, and thus quick. When so installed, the SPIRAL® system ensures longstanding air tightness, and requires no further sealing.

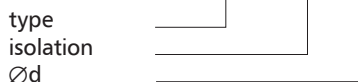


## Description

Standard ducts length L = 3000 mm  
 t = standard thickness for SPIRAL ducts type SPR.  
 Provided with external corrugation from diameter 250 mm, which increases stiffness and compression strengths.

### Ordering

Product code: **SPRI - 25 - 200**

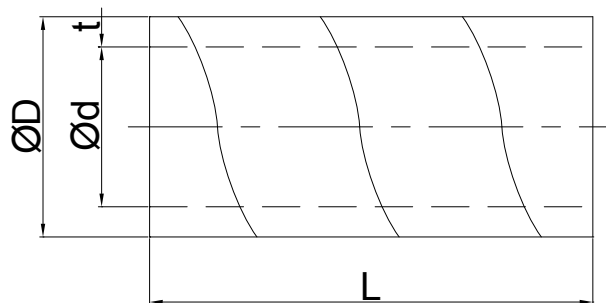


isolation 10 mm					
Ød [mm]	ØD [mm]	weight [kg/m]	Ød [mm]	ØD [mm]	weight [kg/m]
80	100	2,5	140	160	4,0
100	125	3,0	160	180	4,5
125*	160	4,0	180	200	5,0

\*standard SPRI-10-125 is made of the outer jacket of diameter d = 160mm, it is possible to order the execution of the outer jacket with a diameter of 150mm, then the sign is as follows: SPRI-10-125-150

isolation 16 mm					
Ød [mm]	ØD [mm]	weight [kg/m]	Ød [mm]	ØD [mm]	weight [kg/m]
80	112	2,9	160	192	5,4
100	132	3,5	200	232	6,6
125	157	4,3	250	280	8,1

## Dimensions



isolation 25 mm					
Ød [mm]	ØD [mm]	weight [kg/m]	Ød [mm]	ØD [mm]	weight [kg/m]
100	150	3,6	250	300	8,5
125	180	4,7	280	315	9,0
140	200	5,0	300	355	11,4
150	200	5,1	315	355	11,5
160	224	5,9	355	400	14,1
180	224	6,3	400	450	15,9
200	250	6,6	450	500	17,3
224	280	7,7	500	560	21

isolation 50 mm					
Ød [mm]	ØD [mm]	weight [kg/m]	Ød [mm]	ØD [mm]	weight [kg/m]
100	200	4,9	250	355	11,5
125	224	6,0	280	400	12,9
140	250	6,6	300	400	13,5
150	250	6,7	315	400	13,6
160	280	7,4	355	450	16,5
180	280	7,9	400	500	18
200	300	8,6	450	560	22,3
224	315	9,3	500	600	23,3

# IZOL®system pre-insulated bends

## BSLI 90

[Download Wentyle](#)  
[Download AlnorCAM](#)  
[Order in B2B](#)



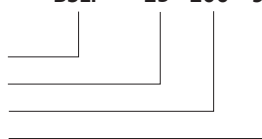
### Description

BSLI - pre-insulated bend consists of inside bend with EPDM gasket and outside bend without EPDM gasket

#### Ordering

Product code: **BSLI - 25 - 200 - 90**

type  
 isolation  
 $\varnothing d$   
 angle



#### isolation 10 mm

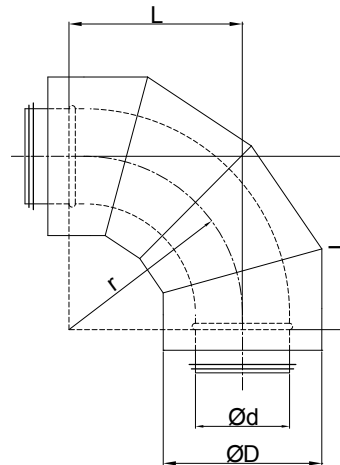
$\varnothing d$ [mm]	$\varnothing D$ [mm]	L [mm]	weight [kg]	$\varnothing d$ [mm]	$\varnothing D$ [mm]	L [mm]	weight [kg]
80	100	100	0,6	140	160	140	1,6
100	125	100	0,8	160	180	160	2,0
125*	160	125	1,5	180	200	180	2,2

\*standard BSLI-10-125-90 is made of the outer jacket of diameter  $d=160$ mm, it is possible to order the execution of the outer jacket with a diameter of 150mm, then the sign is as follows: BSLI-10-125-150-90

#### isolation 16 mm

$\varnothing d$ [mm]	$\varnothing D$ [mm]	L [mm]	weight [kg]	$\varnothing d$ [mm]	$\varnothing D$ [mm]	L [mm]	weight [kg]
80	112	100	0,7	160	192	160	2,1
100	132	100	0,9	200	232	200	3,2
125	157	125	1,3	250	280	250	4,7

### Dimensions



#### isolation 25 mm

$\varnothing d$ [mm]	$\varnothing D$ [mm]	weight [kg]	$\varnothing d_1$ [mm]	$\varnothing D$ [mm]	weight [kg]
100	150	1,5	250	300	6,0
125	180	2,1	280	315	7,6
140	200	2,6	300	355	9,3
150	200	2,7	315	355	10,4
160	224	2,9	355	400	12,7
180	224	3,0	400	450	15,7
200	250	4,0	450	500	23,2
224	280	4,8	500	560	24,0

#### isolation 50 mm

$\varnothing d$ [mm]	$\varnothing D$ [mm]	weight [kg]	$\varnothing d_1$ [mm]	$\varnothing D$ [mm]	weight [kg]
100	200	2,4	250	355	9,3
125	224	3,1	280	400	12,1
140	250	4,1	300	400	12,3
150	250	4,2	315	400	13,6
160	250	5,0	355	450	16,9
180	280	5,2	400	500	20,5
200	300	5,9	450	560	25,1
224	315	7,4	500	600	35,9

IZOL®system pre-insulated bends

**BSLI 60**

[Download Wentyle](#)  
[Download AlnorCAM](#)  
[Order in B2B](#)

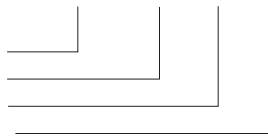
**Description**

BSLI - pre-insulated bend consists of inside bend with EPDM gasket and outside bend without EPDM gasket

**Ordering**

Product code: **BSLI - 25 - 200 - 60**

type  
isolation  
Ød  
angle

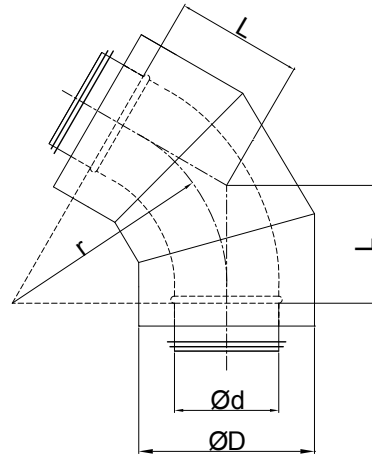
*isolation 10 mm*

Ød [mm]	ØD [mm]	L [mm]	weight [kg]	Ød [mm]	ØD [mm]	L [mm]	weight [kg]
80	100	58	0,5	140	160	75	1,2
100	125	58	0,6	160	180	85	1,4
125*	160	72	1,1	180	200	93	1,7

\*standard BSLI-10-125-60 is made of the outer jacket of diameter d=160mm, it is possible to order the execution of the outer jacket with a diameter of 150mm, then the sign is as follows: BSLI-10-125-150-60

*isolation 16 mm*

Ød [mm]	ØD [mm]	L [mm]	weight [kg]	Ød [mm]	ØD [mm]	L [mm]	weight [kg]
80	112	58	0,6	160	192	92	1,6
100	132	58	0,8	200	232	115	2,6
125	157	72	1,0	250	280	144	3,5

**Dimensions***isolation 25 mm*

Ød [mm]	ØD [mm]	weight [kg]	Ød [mm]	ØD [mm]	weight[kg]
100	150	1,1	250	300	4,5
125	180	1,6	280	315	5,5
140	200	1,8	300	355	6,7
150	200	1,9	315	355	7,5
160	224	2,1	355	400	9,8
180	224	2,3	400	450	12,1
200	250	2,7	450	500	14,3
224	280	4,0	500	560	17,6

*isolation 50 mm*

Ød [mm]	ØD [mm]	weight [kg]	Ød [mm]	ØD [mm]	weight [kg]
100	200	1,8	250	355	6,7
125	224	2,2	280	400	8,8
140	250	3,0	300	400	9,0
150	250	3,1	315	400	10,0
160	250	3,6	355	450	12,2
180	280	3,8	400	500	14,8
200	300	4,3	450	560	18,0
224	315	5,4	500	600	25,5

# BSLI 45



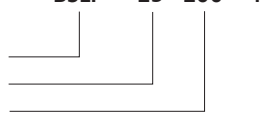
## Description

BSLI - pre-insulated bend consists of inside bend with EPDM gasket and outside bend without EPDM gasket

### Ordering

Product code: **BSLI - 25 -200 - 45**

type  
isolation  
Ød  
angle



isolation 10 mm

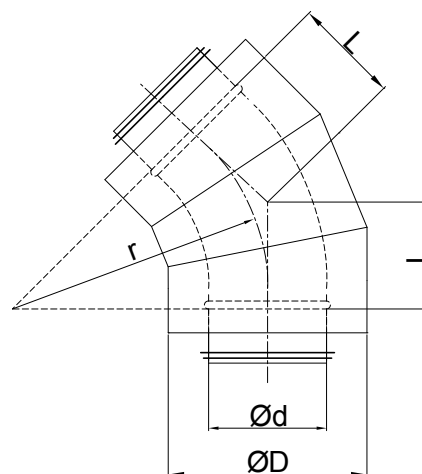
Ød [mm]	ØD [mm]	L [mm]	weight [kg]	Ød [mm]	ØD [mm]	L [mm]	weight [kg]
80	100	41	0,4	140	160	58	1,1
100	125	41	0,6	160	180	75	1,2
125*	160	52	1,0	180	200	80	1,4

\*standard BSLI-10-125-45 is made of the outer jacket of diameter d=160mm, it is possible to order the execution of the outer jacket with a diameter of 150mm, then the sign is as follows: BSLI-10-125-150-45

isolation 16 mm

Ød [mm]	ØD [mm]	L [mm]	weight [kg]	Ød [mm]	ØD [mm]	L [mm]	weight [kg]
80	112	41	0,5	160	192	66	1,1
100	132	41	0,6	200	232	83	1,8
125	157	52	0,8	250	280	104	2,6

## Dimensions



isolation 25 mm

Ød [mm]	ØD [mm]	weight [kg]	Ød [mm]	ØD [mm]	weight [kg]
100	150	1,0	250	300	3,7
125	180	1,3	280	315	4,6
140	200	1,6	300	355	5,6
150	200	1,7	315	355	6,2
160	224	1,9	355	400	8,1
180	224	2,0	400	450	10,0
200	250	2,4	450	500	11,6
224	280	3,3	500	560	14,4

isolation 50 mm

Ød [mm]	ØD [mm]	weight [kg]	Ød [mm]	ØD [mm]	weight [kg]
100	200	1,5	250	355	5,6
125	224	1,8	280	400	7,3
140	250	2,5	300	400	7,5
150	250	2,6	315	400	8,3
160	250	3,1	355	450	10,1
180	280	3,2	400	500	12,1
200	300	3,6	450	560	14,7
224	315	4,5	500	600	20,6

IZOL®system pre-insulated bends

**BSLI 30**

[Download Wentyle](#)  
[Download AlnorCAM](#)  
[Order in B2B](#)

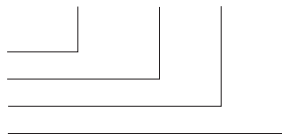
**Description**

BSLI - pre-insulated bend consists of inside bend with EPDM gasket and outside bend without EPDM gasket

**Ordering**

Product code: **BSLI - 25 - 200 - 30**

type  
 isolation  
 $\varnothing d$   
 angle



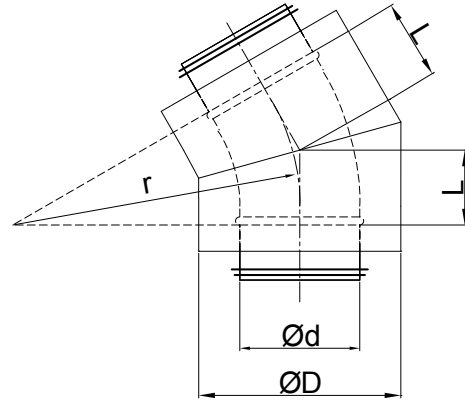
isolation 10 mm

$\varnothing d$ [mm]	$\varnothing D$ [mm]	L [mm]	weight [kg]	$\varnothing d$ [mm]	$\varnothing D$ [mm]	L [mm]	weight [kg]
80	100	27	0,3	140	160	45	0,8
100	125	27	0,4	160	180	50	1,0
125*	160	33	0,8	180	200	55	1,0

\* standard BSLI-10-125-30 is made of the outer jacket of diameter  $d=160$ mm, it is possible to order the execution of the outer jacket with a diameter of 150mm, then the sign is as follows: BSLI-10-125-150-30

isolation 16 mm

$\varnothing d$ [mm]	$\varnothing D$ [mm]	L [mm]	weight [kg]	$\varnothing d$ [mm]	$\varnothing D$ [mm]	L [mm]	weight [kg]
80	112	27	0,4	160	192	43	0,9
100	132	27	0,5	200	232	54	1,3
125	157	33	0,6	250	280	67	2,3

**Dimensions**

isolation 25 mm

$\varnothing d$ [mm]	$\varnothing D$ [mm]	weight [kg]	$\varnothing d$ [mm]	$\varnothing D$ [mm]	weight [kg]
100	150	0,8	250	300	2,8
125	180	1,0	280	315	3,5
140	200	1,2	300	355	4,1
150	200	1,3	315	355	4,7
160	224	1,3	355	400	6,1
180	224	1,5	400	450	7,6
200	250	1,8	450	500	8,5
224	280	2,5	500	560	10,7

isolation 50 mm

$\varnothing d$ [mm]	$\varnothing D$ [mm]	weight [kg]	$\varnothing d$ [mm]	$\varnothing D$ [mm]	weight [kg]
100	200	1,1	250	355	4,2
125	224	1,4	280	400	5,5
140	250	2,0	300	400	5,7
150	250	2,1	315	400	6,3
160	250	2,3	355	450	6,7
180	280	2,4	400	500	9,1
200	300	2,7	450	560	10,9
224	315	3,4	500	600	15,2





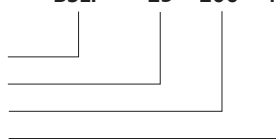
## Description

BSLI - pre-insulated bend consists of inside bend with EPDM gasket and outside bend without EPDM gasket

### Ordering

Product code: **BSLI - 25 - 200 - 15**

type  
 isolation  
 Ød  
 angle



*isolation 10 mm*

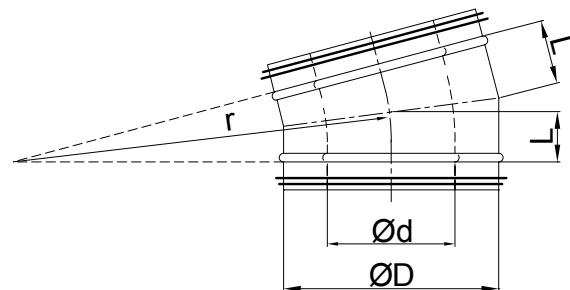
Ød [mm]	ØD [mm]	L [mm]	weight [kg]	Ød [mm]	ØD [mm]	L [mm]	weight [kg]
80	100	13	0,3	140	160	35	0,6
100	125	13	0,4	160	180	36	0,6
125*	160	16	0,6	180	200	37	0,7

\*standard BSLI-10-125-15 is made of the outer jacket of diameter d=160mm, it is possible to order the execution of the outer jacket with a diameter of 150mm, then the sign is as follows: BSLI-10-125-150-15

*isolation 16 mm*

Ød [mm]	ØD [mm]	L [mm]	weight [kg]	Ød [mm]	ØD [mm]	L [mm]	weight [kg]
80	112	13	0,3	160	192	21	0,8
100	132	13	0,5	200	232	26	1,0
125	157	16	0,5	250	280	33	1,5

## Dimensions

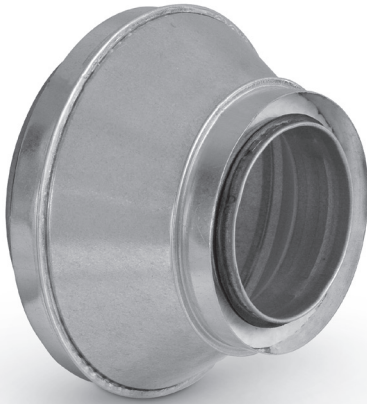


*isolation 25 mm*

Ød [mm]	ØD [mm]	weight [kg]	Ød [mm]	ØD [mm]	weight [kg]
100	150	0,6	250	300	2,1
125	180	0,7	280	315	2,5
140	200	0,9	300	355	3,0
150	200	0,9	315	355	3,4
160	224	1,0	355	400	4,5
180	224	1,1	400	450	5,5
200	250	1,3	450	500	5,8
224	280	1,9	500	560	7,4

*isolation 50 mm*

Ød [mm]	ØD [mm]	weight [kg]	Ød [mm]	ØD [mm]	weight [kg]
100	200	0,8	250	355	3,0
125	224	1,0	280	400	4,1
140	250	1,5	300	400	4,2
150	250	1,6	315	400	4,6
160	250	1,7	355	450	5,5
180	280	1,8	400	500	6,4
200	300	2,0	450	560	7,6
224	315	2,5	500	600	10,3



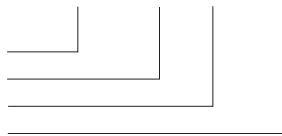
## Description

RSCLLI - pre-insulated reducer consists of inside reducer with EPDM gasket and outside reducer without EPDM gasket

### Ordering

Product code: **RSCLLI - 25 - 200 - 125**

type  
isolation

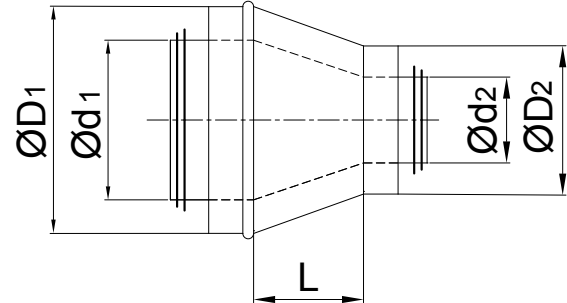


Ød<sub>1</sub>  
Ød<sub>2</sub>

isolation 10 mm					
Ød <sub>1</sub> [mm]	Ød <sub>2</sub> [mm]	ØD <sub>1</sub> [mm]	ØD <sub>2</sub> [mm]	L [mm]	waga [kg]
125*	100	160	125	42	0,3
160	100	180	125	60	0,4
160	125	180	160	41	0,5
200	100	224	125	45	0,6
200	125	224	160	63	0,7
200	160	224	180	45	0,5
250	125	280	160	51	1,0
250	160	280	180	74	1,0
250	200	280	224	53	0,9

\*standard RSCLLI-10-125-15 is made of the outer jacket of diameter d=160mm, it is possible to order the execution of the outer jacket with a diameter of 150mm, then the sign is as follows: RSCLLI-10-125-150-15

## Dimensions



isolation 16 mm					
Ød <sub>1</sub> [mm]	ØD <sub>1</sub> [mm]	Ød <sub>2</sub> [mm]	ØD <sub>2</sub> [mm]	L [mm]	waga [kg]
125	100	157	132	42	0,5
160	100	192	132	60	0,6
160	125	192	157	41	0,7
200	100	232	132	45	0,8
200	125	232	157	63	0,8
200	160	232	192	45	0,7
250	125	280	157	51	1,1
250	160	280	192	74	1,1
250	200	280	232	53	1,0

isolation 25mm					
Ød <sub>1</sub> [mm]	ØD <sub>1</sub> [mm]	Ød <sub>2</sub> [mm]	ØD <sub>2</sub> [mm]	L [mm]	waga [kg]
125	100	180	150	64	0,9
140	100	200	150	85	1
140	125	200	180	51	0,9
150	100	200	150	99	1,2
150	125	200	180	64	1
150	140	200	200	44	0,9
160	100	224	150	112	1,3
160	125	224	180	78	1,2
160	140	224	200	57	1,1
160	150	224	200	44	1
200	100	250	150	167	2
200	125	250	180	133	1,9
200	140	250	200	112	1,8
200	150	250	200	99	1,6
200	160	250	224	85	1,6
200	180	250	224	58	1,4
224	100	280	150	200	2,4

## Dimensions

isolation 25 mm					
Ød <sub>1</sub> [mm]	Ød <sub>2</sub> [mm]	ØD <sub>1</sub> [mm]	ØD <sub>2</sub> [mm]	L [mm]	waga [kg]
224	125	280	180	166	2,2
224	140	280	200	145	2,3
224	150	280	200	132	2,2
224	160	280	224	118	2,2
224	180	280	224	90	2
224	200	280	250	63	1,9
250	100	300	150	236	3,1
250	125	300	180	202	3
250	140	300	200	181	2,8
250	150	300	200	167	2,7
250	160	300	224	154	2,7
250	180	300	224	126	2,4
250	200	300	250	99	2,4
250	224	300	280	66	2,2
280	125	315	180	243	3,9
280	140	315	200	222	3,8
280	150	315	200	209	3,6
280	160	315	224	195	3,5
280	180	315	224	167	3,3
280	200	315	250	140	3,2
280	224	315	280	107	3
280	250	315	300	71	2,8
300	125	355	180	270	4,5
300	140	355	200	250	4,4
300	150	355	200	236	4,3
300	160	355	224	222	4,2
300	180	355	224	195	3,9
300	200	355	250	167	3,8
300	224	355	280	135	3,7
300	280	355	315	58	3,3
315	100	355	150	310	5,2
315	125	355	180	291	5,1
315	140	355	200	270	5,1
315	150	355	200	257	5,5
315	160	355	224	243	4,8
315	180	355	224	216	4,5
315	200	355	250	188	4,4
315	224	355	280	155	4
315	250	355	300	119	3,8

## Dimensions

isolation 25 mm					
Ød <sub>1</sub> [mm]	Ød <sub>2</sub> [mm]	ØD <sub>1</sub> [mm]	ØD <sub>2</sub> [mm]	L [mm]	waga [kg]
315	280	355	315	78	3,5
315	300	355	355	51	3,2
355	160	400	224	298	6,4
355	180	400	224	270	6,1
355	200	400	250	243	5,8
355	224	400	280	224	5,7
355	250	400	300	174	5,3
355	280	400	315	133	4,9
355	300	400	355	106	4,6
355	315	400	355	85	4,4
400	160	450	224	365	8,3
400	180	450	224	337	7,9
400	200	450	250	310	7,7
400	224	450	280	277	7,4
400	250	450	300	241	7,1
400	280	450	315	200	6,8
400	300	450	355	172	6,4
400	315	450	355	152	6,1
400	355	450	400	97	5,6
450	200	500	250	378	9,8
450	224	500	280	346	9,5
450	250	500	300	310	9,1
450	280	500	315	269	8,7
450	300	500	355	241	8,3
450	315	500	355	221	7,8
450	355	500	400	166	7,3
450	400	500	450	109	6,7
500	224	560	280	414	11,6
500	250	560	300	378	11,3
500	280	560	315	337	10,9
500	300	560	355	310	10,5
500	315	560	400	289	10,2
500	355	560	400	234	9,5
500	400	560	450	177	8,8
500	450	560	500	109	7,8

## Dimensions

isolation 50 mm					
Ød <sub>1</sub> [mm]	Ød <sub>2</sub> [mm]	ØD <sub>1</sub> [mm]	ØD <sub>2</sub> [mm]	L [mm]	waga [kg]
125	100	224	200	1,1	64
140	100	250	200	1,4	85
140	125	250	224	1,3	51
150	100	250	200	1,6	99
150	125	250	224	1,4	64
150	140	250	250	1,3	44
160	100	280	200	1,8	112
160	125	280	224	1,7	78
160	140	280	250	1,6	57
160	150	280	250	44	1,4
200	100	300	200	167	2,5
200	125	300	224	133	2,3
200	140	300	250	112	2,2
200	150	300	250	99	2,1
200	160	300	280	85	2
200	180	300	280	58	1,8
224	100	315	200	200	3,4
224	125	315	224	166	3,1
224	140	315	250	145	3
224	150	315	250	132	2,9
224	160	315	280	118	2,8
224	180	315	280	90	2,5
224	200	315	300	63	2,3
250	100	355	200	236	4,3
250	125	355	224	202	4
250	140	355	250	181	3,8
250	150	355	250	167	3,7
250	160	355	280	154	3,6
250	180	355	280	126	3,3
250	200	355	300	99	3,1
250	224	355	315	66	2,8
280	125	400	224	243	5,3
280	140	400	250	222	5,2
280	150	400	250	209	5,1
280	160	400	280	195	5
280	180	400	280	167	4,6
280	200	400	300	140	4,3
280	224	400	315	107	3,9
280	250	400	355	71	3,6
300	125	400	224	270	5,7

## Dimensions

isolation 50 mm					
Ød <sub>1</sub> [mm]	Ød <sub>2</sub> [mm]	ØD <sub>1</sub> [mm]	ØD <sub>2</sub> [mm]	L [mm]	waga [kg]
300	140	400	250	250	5,6
300	150	400	250	236	5,4
300	160	400	280	222	5,3
300	180	400	280	195	5
300	200	400	300	167	4,7
300	224	400	315	135	4,6
300	250	400	355	99	4,3
315	250	400	355	4,6	119
315	280	400	400	4,2	78
315	300	400	400	3,8	51
355	160	450	280	7,7	298
355	180	450	280	7,4	270
355	200	450	300	6,9	243
355	224	450	315	6,7	224
355	250	450	355	6,0	174
355	280	450	400	5,7	133
355	300	450	400	5,3	106
355	315	450	400	5,0	85
400	160	500	280	9,9	365
400	180	500	280	9,5	337
400	200	500	300	9,1	310
400	224	500	315	8,6	277
400	250	500	355	8,3	241
400	280	500	400	7,8	200
400	300	500	400	7,2	172
400	315	500	400	6,9	152
400	355	500	450	6,1	97
450	200	560	300	11,5	378
450	224	560	315	11,2	346
450	250	560	355	10,6	310
450	280	560	400	10,0	269
450	300	560	400	9,5	241
450	315	560	400	9,1	221
450	355	560	450	8,2	166
450	400	560	500	7,4	109
500	200	600	300	16,8	447
500	224	600	315	15,7	414
500	250	600	355	378	15,2
500	280	600	400	337	15,0
500	300	600	400	310	13,9

## Dimensions

<i>isolation 50 mm</i>					
$\varnothing d_1$ [mm]	$\varnothing d_2$ [mm]	$\varnothing D_1$ [mm]	$\varnothing D_2$ [mm]	L [mm]	waga [kg]
500	315	600	400	289	13,4
500	355	600	450	234	12,1
500	400	600	500	177	10,9
500	450	600	560	109	9,2



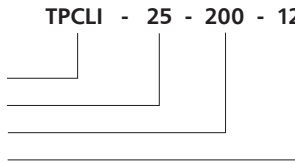
## Description

Dimension which are not included in the table are produced on special require.

### Ordering

Product code: **TPCLI - 25 - 200 - 125**

type  
isolation  
 $\varnothing d_1$   
 $\varnothing d_2$

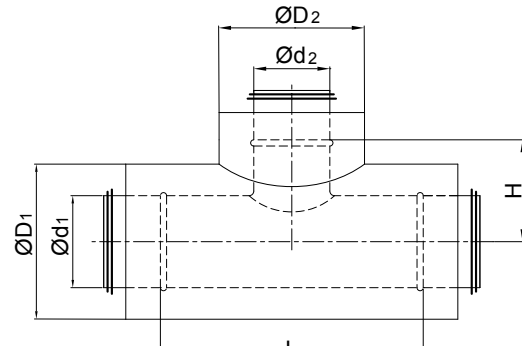


isolation 10 mm

$\varnothing d_1$ [mm]	$\varnothing d_2$ [mm]	$\varnothing D_1$ [mm]	$\varnothing D_2$ [mm]	L [mm]	H [mm]	waga [kg]
100	100	125	125	180	86	0,8
125*	100	160	125	180	100	1,0
125*	125	160	160	210	100	1,1
140	100	160	125	180	105	0,9
140	125	160	160	180	105	1,0
140	140	160	160	200	105	1,1
160	100	180	125	170	115	1,1
160	125	180	160	170	115	1,2
160	140	180	160	210	115	1,0
160	160	180	180	210	115	1,2
180	100	200	125	150	125	1,4
180	125	200	160	225	125	1,5
180	140	200	160	240	125	1,4
180	160	200	180	310	125	1,5
180	180	200	200	300	125	1,6

\*standard TPCLI-10-125-15 is made of the outer jacket of diameter  $d=160$ mm, it is possible to order the execution of the outer jacket with a diameter of 150mm, then the sign is as follows: TPCLI-10-125-150-15

## Dimensions



isolation 16 mm

$\varnothing d_1$ [mm]	$\varnothing d_2$ [mm]	$\varnothing D_1$ [mm]	$\varnothing D_2$ [mm]	L [mm]	H [mm]	waga [kg]
100	100	132	132	180	86	1,0
125	100	157	132	180	100	1,1
125	125	157	157	210	100	1,3
160	100	192	132	182	116	1,5
160	125	192	157	210	116	1,6
160	160	192	192	240	116	1,7
200	100	232	132	182	136	1,6
200	125	232	157	210	136	1,8
200	160	232	192	240	136	2,1
200	200	232	232	280	136	2,6
250	100	282	132	180	161	2,0
250	125	282	157	210	161	2,2
250	160	282	192	240	161	2,6
250	200	282	232	280	161	2,9
250	250	282	282	328	161	3,5

isolation 25 mm

$\varnothing d_1$ [mm]	$\varnothing d_2$ [mm]	$\varnothing D_1$ [mm]	$\varnothing D_2$ [mm]	L [mm]	H [mm]	waga [kg]
100	100	150	150	210	95	1,2
125	100	180	150	210	108	1,4
125	125	180	180	235	108	1,6
140	100	200	150	210	115	1,6
140	125	200	180	235	115	1,7
140	140	200	200	250	115	1,8
150	100	200	150	210	120	1,4
150	125	200	180	235	120	1,8
150	140	200	200	250	120	1,8

## Dimensions

isolation 25 mm						
Ød <sub>1</sub> [mm]	Ød <sub>2</sub> [mm]	ØD <sub>1</sub> [mm]	ØD <sub>2</sub> [mm]	L [mm]	H [mm]	waga [kg]
150	150	200	200	260	120	1,9
160	100	224	150	210	125	1,9
160	125	224	180	235	125	2,0
160	140	224	200	250	125	2,2
160	150	224	200	260	125	2,2
160	160	224	224	270	125	2,3
180	100	224	150	210	135	2,5
180	125	224	180	235	135	2,9
180	140	224	200	250	135	3,2
180	150	224	200	260	135	3,2
180	160	224	224	270	135	3,4
180	180	224	224	290	135	3,4
200	100	250	150	210	145	3,0
200	125	250	180	235	145	3,6
200	140	250	200	250	145	3,5
200	150	250	200	260	145	3,5
200	160	250	224	270	145	4,1
200	180	250	224	290	145	4,2
200	200	250	250	310	145	4,7
224	100	280	150	210	157	3,5
224	125	280	180	235	157	4,2
224	140	280	200	250	157	3,8
224	150	280	200	260	157	4,2
224	160	280	224	270	157	4,6
224	180	280	224	290	157	3,7
250	100	280	150	210	170	3,9
250	125	280	180	235	170	4,5
250	140	280	200	250	170	4,6
250	150	280	200	260	170	4,7
250	160	280	224	270	170	4,9
250	180	280	224	290	170	5
250	200	280	250	310	170	4
250	250	280	300	360	170	5,4
280	100	315	150	230	185	4,6
280	125	315	180	255	185	4,9
280	140	315	200	270	185	5,3
280	150	315	200	280	185	5,5
280	160	315	224	290	185	5,6
280	180	315	224	310	185	5,7

## Dimensions

isolation 25 mm						
Ød <sub>1</sub> [mm]	Ød <sub>2</sub> [mm]	ØD <sub>1</sub> [mm]	ØD <sub>2</sub> [mm]	L [mm]	H [mm]	waga [kg]
280	200	315	250	330	185	5,7
300	100	355	150	230	195	5,1
300	125	355	180	255	195	5,4
300	140	355	200	270	195	5,7
300	150	355	200	280	195	5,8
300	160	355	224	290	195	6,4
300	180	355	224	310	195	5,9
300	200	355	250	330	195	6,3
300	250	355	300	380	195	7,1
315	100	355	150	230	203	5,7
315	125	355	180	255	203	6
315	140	355	200	270	203	6,4
315	150	355	200	280	203	6,3
315	160	355	224	290	203	6,8
315	180	355	224	310	203	7
315	200	355	250	330	203	7,1
315	250	355	300	380	203	7,8
355	160	400	224	290	222	7,4
355	200	400	250	330	222	7,9
400	200	450	250	330	245	9,5
450	160	500	224	290	270	9,9
450	200	500	250	330	270	10,5
500	200	560	250	330	295	12,8

isolation 50 mm						
Ød <sub>1</sub> [mm]	Ød <sub>2</sub> [mm]	ØD <sub>1</sub> [mm]	ØD <sub>2</sub> [mm]	L [mm]	H [mm]	waga [kg/m]
100	100	200	200	281	125	2,5
125	100	224	200	346	137	3,2
125	125	224	224	346	137	3,4
140	100	250	200	306	150	3,5
140	125	250	224	350	150	4,1
140	140	250	250	307	150	3,9
150	100	250	200	306	150	3,7
150	125	250	224	350	150	4,2
150	140	250	250	307	150	3,9
150	150	205	250	307	150	3,9
160	100	280	200	306	165	4,0
160	125	280	224	350	165	4,5
160	140	280	250	380	165	4,5

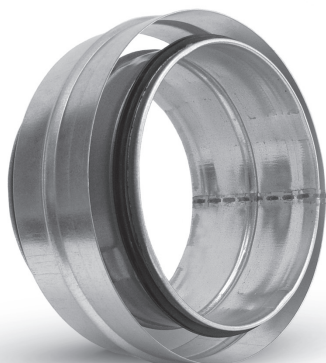
**Dimensions**

isolation 50 mm						
$\varnothing d_1$ [mm]	$\varnothing d_2$ [mm]	$\varnothing D_1$ [mm]	$\varnothing D_2$ [mm]	L [mm]	H [mm]	waga [kg]
160	150	280	250	380	165	4,5
180	100	280	200	306	165	4,1
180	125	280	224	350	165	4,6
180	140	280	250	380	165	4,6
180	150	280	250	380	165	4,6
200	100	300	200	306	175	4,4
200	125	300	224	350	172	4,9
200	140	300	250	350	175	4,9
200	150	300	250	350	175	4,9
224	100	315	200	306	182	7,8
224	125	315	224	350	182	5,7
224	140	315	250	350	182	5,7
224	150	315	250	350	182	5,7
224	224	315	315	390	182	6,6
250	100	355	200	306	203	5,7
250	125	355	224	350	203	6,2
250	150	355	250	350	203	6,4
250	224	355	315	455	203	7,8
280	100	400	200	300	225	7,3
280	125	400	224	350	225	7,6
280	140	400	250	350	225	7,3
280	150	400	250	350	225	7,4
280	224	400	315	415	225	8,8
300	100	400	200	300	225	7
300	125	400	224	350	225	7,7
300	140	400	250	350	225	7,8
300	150	400	250	350	225	7,9
300	224	400	315	415	225	9
315	100	400	200	300	225	7,7
315	125	400	224	350	225	8,5
315	140	400	250	350	225	8,5
315	150	400	250	350	225	8,6
315	224	400	315	415	225	9,8
315	315	400	400	500	225	11,8
355	224	400	315	415	250	10,9
355	315	400	400	500	250	12,9
400	100	500	200	300	275	9,7
400	125	500	224	300	275	10,1
400	224	500	315	415	275	12,1

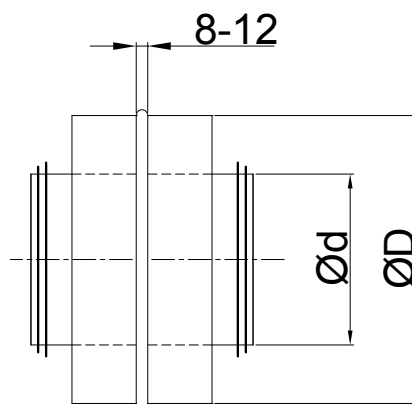
**Dimensions**

isolation 50 mm						
$\varnothing d_1$ [mm]	$\varnothing d_2$ [mm]	$\varnothing D_1$ [mm]	$\varnothing D_2$ [mm]	L [mm]	H [mm]	waga [kg/m]
400	315	500	400	500	275	14,4
450	100	560	200	360	305	12,1
450	315	560	400	590	305	17,9
500	100	600	200	360	340	15,5
500	315	600	400	590	340	22,6





## Dimensions



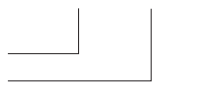
## Description

Male couplings are used for joining SRI ducts.

### Ordering

Product code **NSLI - 25 - 200**

type  
isolation



Ød

isolation 10 mm					
Ød [mm]	ØD [mm]	weight [kg]	Ød [mm]	ØD [mm]	weight [kg]
80	100	0,1	140	160	0,19
100	125	0,15	160	180	0,2
125*	160	0,18	180	200	0,23

\*standard NSLI-10-125 is made of the outer jacket of diameter d=160mm, it is possible to order the execution of the outer jacket with a diameter of 150mm, then the sign is as follows: NSLI-10-125-150

isolation 16 mm					
Ød [mm]	ØD [mm]	weight [kg]	Ød [mm]	ØD [mm]	weight [kg]
80	112	0,3	160	192	0,5
100	132	0,3	200	232	0,6
125	157	0,4	250	280	1,1

isolation 25 mm					
Ød [mm]	ØD [mm]	weight [kg]	Ød [mm]	ØD [mm]	weight [kg]
100	150	0,4	250	300	1,2
125	180	0,6	280	315	1,6
140	200	0,7	300	355	1,9
150	200	0,7	315	355	1,9
160	224	0,8	355	400	2,1
180	224	0,8	400	450	2,9
200	250	0,9	450	500	3,4
224	280	1,0	500	560	3,8

isolation 50 mm					
Ød [mm]	ØD [mm]	weight [kg]	Ød [mm]	ØD [mm]	weight [kg]
100	200	0,5	250	355	1,4
125	224	0,6	280	400	1,9
140	250	0,8	300	400	2,0
150	250	0,8	315	400	2,0
160	250	0,9	355	450	2,3
180	280	1,0	400	500	3,2
200	300	1,1	450	560	3,6
224	315	1,2	500	600	4,9

## IZOL®system pre-insulated female couplings

**MSFI**

[Download Wentyle](#)  
[Download AlnorCAM](#)  
[Order in B2B](#)

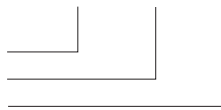
**Description**

Female couplings are used for joining fittings.

**Ordering**

Product code: **MSFI - 25 - 200**

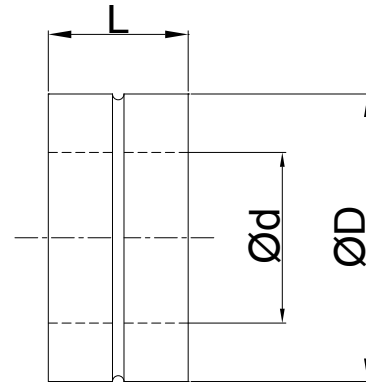
type  
isolation  
Ød



isolation 10 mm						
Ød [mm]	ØD [mm]	weight [kg]	Ød [mm]	ØD [mm]	weight [kg]	
80	100	0,2	140	160	0,3	
100	125	0,25	160	180	0,35	
125*	160	0,3	180	200	0,35	

\*standard MSFI-10-125 is made of the outer jacket of diameter d=160mm, it is possible to order the execution of the outer jacket with a diameter of 150mm, then the sign is as follows: MSFI-10-125-150

isolation 16 mm							
Ød [mm]	ØD [mm]	L [mm]	weight [kg]	Ød [mm]	ØD [mm]	L [mm]	weight [kg]
80	112	90	0,3	160	192	90	0,5
100	132	90	0,3	200	232	90	0,6
125	157	90	0,4	250	280	135	1,1

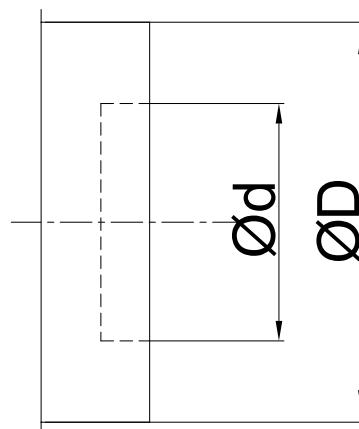
**Dimensions**

isolation 25 mm							
Ød [mm]	ØD [mm]	L [mm]	weight [kg]	Ød [mm]	ØD [mm]	L [mm]	weight [kg]
100	150	90	0,4	250	300	135	1,3
125	180	90	0,5	280	315	135	1,5
140	200	90	0,5	300	355	135	1,7
150	200	90	0,5	315	355	135	1,8
160	224	90	0,6	355	400	175	2,4
180	224	90	0,6	400	450	175	3,0
200	250	135	0,9	450	500	175	3,4
224	280	135	1,0	500	560	175	3,8

isolation 50 mm							
Ød [mm]	ØD [mm]	L [mm]	weight [kg]	Ød [mm]	ØD [mm]	L [mm]	weight [kg]
100	200	90	0,5	250	355	135	1,7
125	224	90	0,6	280	400	135	2,5
140	250	90	1,0	300	400	135	2,6
150	250	135	1,1	315	400	135	2,8
160	250	135	1,2	355	450	175	3,2
180	280	135	1,2	400	500	175	3,5
200	300	135	1,3	450	560	175	4,0
224	315	135	1,5	500	600	175	5,1



## Dimensions



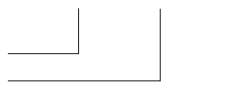
## Description

Female caps are used for closing fittings.

### Ordering

Product code: **CPFI - 25 - 200**

type  
isolation  
Ød



isolation 10 mm					
Ød [mm]	ØD [mm]	weight [kg]	Ød [mm]	ØD [mm]	weight [kg]
80	100	0,1	140	160	0,25
100	125	0,15	160	180	0,25
125*	160	0,2	180	200	0,3

\*standard CPFI-10-125 is made of the outer jacket of diameter d=160mm, it is possible to order the execution of the outer jacket with a diameter of 150mm, then the sign is as follows: CPFI-10-125-150

isolation 16 mm					
Ød [mm]	ØD [mm]	weight [kg]	Ød [mm]	ØD [mm]	weight [kg]
80	112	0,2	160	192	0,5
100	132	0,2	200	232	0,7
125	157	0,3	250	280	1,0

isolation 25 mm					
Ød [mm]	ØD [mm]	weight [kg]	Ød [mm]	ØD [mm]	weight [kg]
100	150	0,4	250	300	1,5
125	180	0,5	280	315	1,8
140	200	0,6	300	355	2,1
150	200	0,6	315	355	2,2
160	224	0,7	355	400	2,6
180	224	0,9	400	450	3,2
200	250	1,0	450	500	3,8
224	280	1,2	500	560	4,1

isolation 50 mm					
Ød [mm]	ØD [mm]	weight [kg]	Ød [mm]	ØD [mm]	weight [kg]
100	200	0,6	250	355	2,1
125	224	0,7	280	400	2,2
140	250	0,9	300	400	2,3
150	250	1,0	315	400	2,6
160	250	1,1	355	450	3,3
180	280	1,2	400	500	3,5
200	300	1,3	450	560	4,5
224	315	1,7	500	600	4,8

## IZOL®system pre-insulated end caps for ducts

**CSLI**

[Download Wentyle](#)  
[Download AlnorCAM](#)  
[Order in B2B](#)

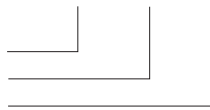
**Description**

Male end caps are used for closing ducts.

**Ordering**

Product code **CSLI - 25 - 200**

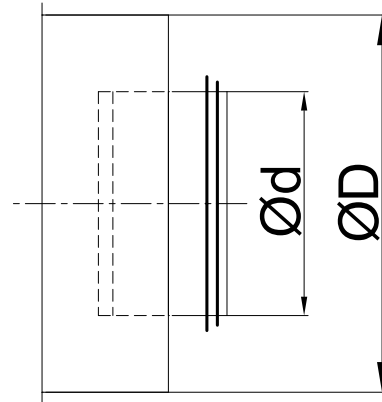
type  
 isolation  
 Ød



<i>isolation 10 mm</i>					
Ød [mm]	ØD [mm]	weight [kg]	Ød [mm]	ØD [mm]	weight [kg]
80	100	0,1	140	160	0,25
100	125	0,15	160	180	0,25
125*	160	0,2	180	200	0,3

\*standard CSLI-10-125 is made of the outer jacket of diameter d=160mm, it is possible to order the execution of the outer jacket with a diameter of 150mm, then the sign is as follows: CSLI-10-125-150

<i>isolation 16 mm</i>					
Ød [mm]	ØD [mm]	weight [kg]	Ød [mm]	ØD [mm]	weight [kg]
80	112	0,2	160	192	0,5
100	132	0,2	200	232	0,8
125	157	0,3	250	280	1,1

**Dimensions**

<i>isolation 25 mm</i>					
Ød [mm]	ØD [mm]	weight [kg]	Ød [mm]	ØD [mm]	weight [kg]
100	150	0,4	250	300	1,5
125	180	0,5	280	315	1,8
140	200	0,6	300	355	2,1
150	200	0,6	315	355	2,2
160	224	0,7	355	400	2,6
180	224	0,9	400	450	3,2
200	250	1,0	450	500	3,8
224	280	1,2	500	560	4,1

<i>isolation 50 mm</i>					
Ød [mm]	ØD [mm]	weight [kg]	Ød [mm]	ØD [mm]	weight [kg]
100	200	0,6	250	355	2,1
125	224	0,7	280	400	2,2
140	250	0,9	300	400	2,3
150	250	1,0	315	400	2,6
160	250	1,1	355	450	3,3
180	280	1,2	400	500	3,5
200	300	1,3	450	560	4,5
224	315	1,7	500	600	4,8

# DASLI

[Download Wentyle](#)  
[Download AlnorCAM](#)  
[Order in B2B](#)

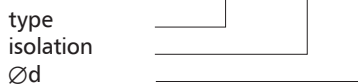


## Description

DASLI damper is used where complete closure of the air flow is not required. The damper cup shows the position of the damper blade. The damper blade can be locked with screws.

### Ordering

Product code: **DASLI - 25 - 200**

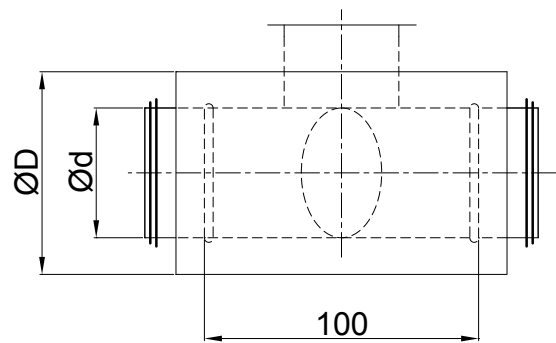


isolation 10 mm					
Ød [mm]	ØD [mm]	weight [kg]	Ød [mm]	ØD [mm]	weight [kg]
80	100	0,5	140	150	0,9
100	125	0,7	160	180	1,2
125*	160	0,9	180	200	1,3

\*standard DASLI-10-125 is made of the outer jacket of diameter d=160mm, it is possible to order the execution of the outer jacket with a diameter of 150mm, then the sign is as follows: DASLI-10-125-150

isolation 16 mm					
Ød [mm]	ØD [mm]	weight [kg]	Ød [mm]	ØD [mm]	weight [kg]
80	112	0,5	160	192	1,0
100	132	0,7	200	232	1,4
125	157	0,8	250	280	1,8

## Dimensions



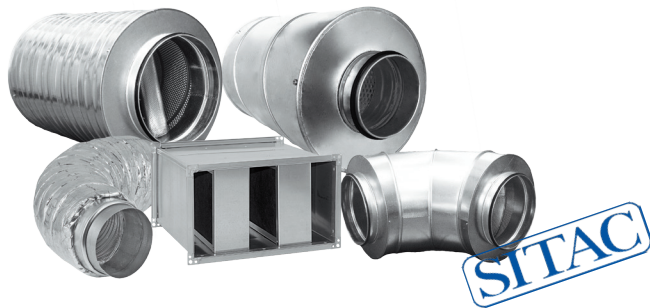
isolation 16 mm					
Ød [mm]	ØD [mm]	weight [kg]	Ød [mm]	ØD [mm]	weight [kg]
80	112	0,5	160	192	1,0
100	132	0,7	200	232	1,4
125	157	0,8	250	280	1,8

isolation 25 mm					
Ød [mm]	ØD [mm]	weight [kg]	Ød [mm]	ØD [mm]	weight [kg]
100	150	0,9	250	300	2,5
125	180	1,1	280	315	3,1
140	200	1,2	300	355	3,4
150	200	1,3	315	355	3,7
160	224	1,4	355	400	4,4
180	224	1,5	400	450	5,5
200	250	1,9	450	500	6,5
224	280	2,1	500	560	7,4

isolation 50 mm					
Ød [mm]	ØD [mm]	weight [kg]	Ød [mm]	ØD [mm]	weight [kg]
100	200	1,2	250	355	3,2
125	224	1,4	280	400	4,1
140	250	1,7	300	400	4,3
150	250	1,8	315	400	4,6
160	250	1,9	355	450	5,2
180	280	2,0	400	500	6,2
200	300	2,0	450	560	7,3
224	315	2,7	500	600	9,3

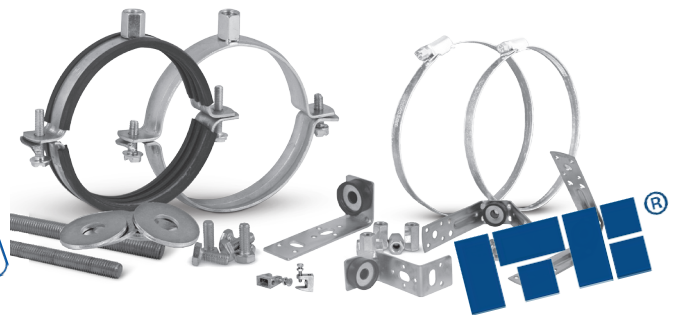
## Also offered

### Silencers



Silencers are offered in round and rectangular systems with use of glass or stone insulation. They are available in diameters range 100 to 1250 mm and dimensions 200x200 to 2000x2000 mm. Round silencers can be additionally equipped with a damping curtain or they can be manufactured as damping bends.

### Ventilation accessories



Ventilation dampers are offered in round and rectangular systems as air-tight, regulating and non-return dampers. There are the following shutting systems: single plane, multi-plane lamellas and iris mechanism. Each damper can be equipped with manual mechanism, enabling the use of insulation or it can be adjusted for connection to a servomotor.

### Round ducts and fittings



Round ducts and fittings are produced in diameters range 80 to 1600 mm of galvanized, acid-resistant and aluminium sheet. Bends, T-pieces, reducers, couplings and saddles are produced in two versions: without sealing and with the EPDM double seal ensuring „D” class leaktightness according to Eurovent certified by SITAC

### Ventilation accessories



Ventilation accessories consist of round and rectangular duct grilles, ceiling outlets, long-distance nozzles and ventilation valves. Plenum boxes and connectors to the offered elements are the additional equipment. The offer contains also a choice of outer air intakes and ejectors made of aluminium and chromium-nickel sheet.



# Notes





# Notes