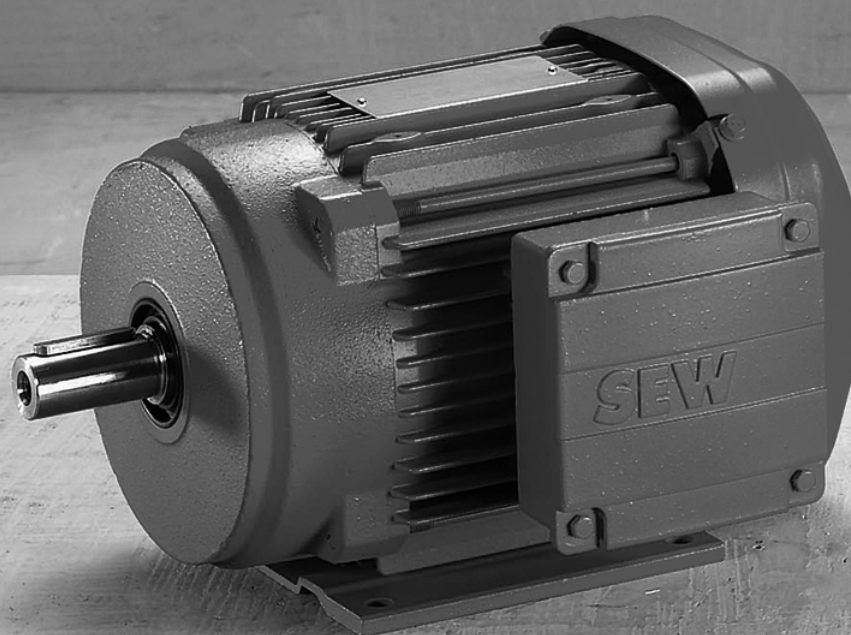




SEW
EURODRIVE

Addendum to the Catalog



AC Motors

DRL80S, DRL180S, DRL200L





1 Introduction	4
1.1 Contents of this publication.....	4
1.2 Copyright.....	4
2 Dimension Sheets	5
2.1 DRL80S, DRL180S, DRL200L.....	5
3 Technical Data of DRL Motors	11
3.1 Key to the data tables	11
3.2 Technical data of DRL asynchronous servomotors	11



1 Introduction

1.1 *Contents of this publication*

This document is an addendum to the "AC Motors" catalog, publication number 16826817.

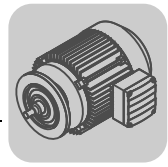
Due to the sales release of the DRL80S, DRL180S and DRL200L motors, the following information is published in the document at hand:

- Dimension sheets
- Technical data
- Prices

1.2 *Copyright*

© 2009 - SEW-EURODRIVE. All rights reserved.

Copyright law prohibits the unauthorized duplication, modification, distribution, and use of this document, in whole or in part.

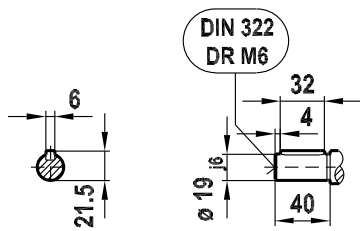
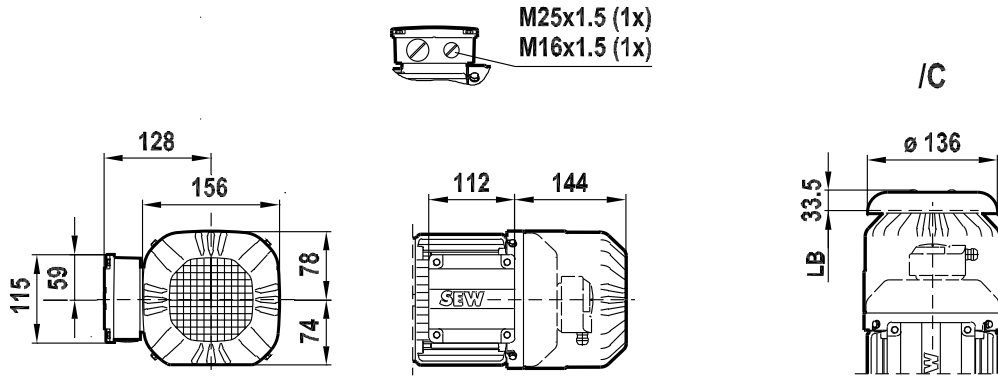


2 Dimension Sheets

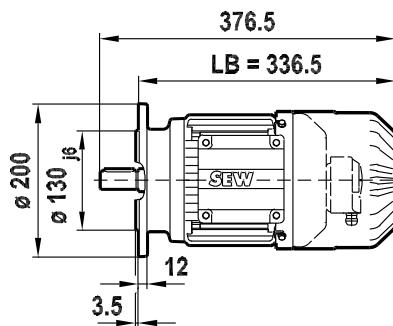
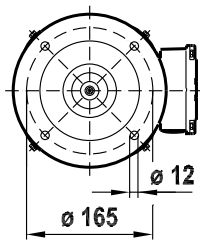
2.1 DRL80S, DRL180S, DRL200L

DRL80S

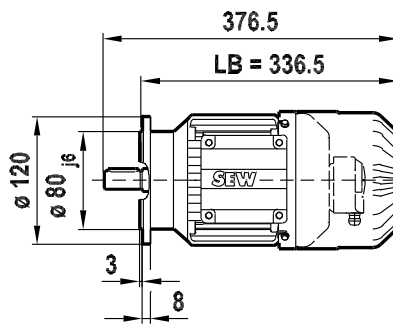
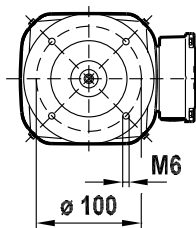
08 681 00 10
1 (1)



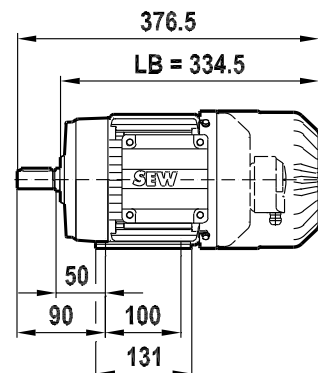
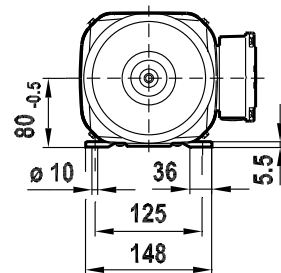
/FF (B5) FF165



/FT (B14) FT100



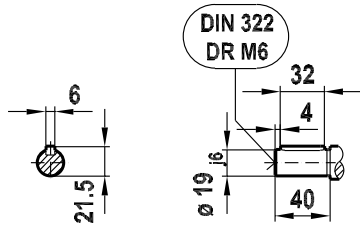
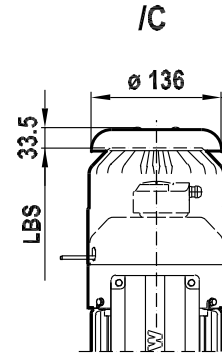
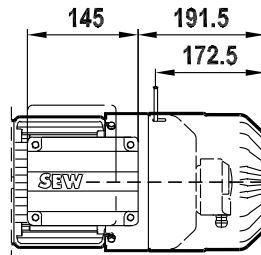
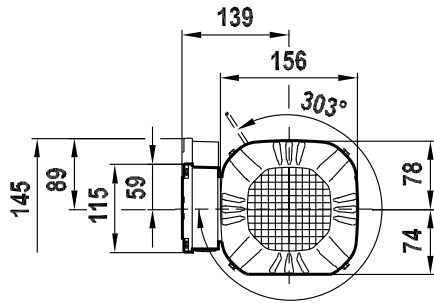
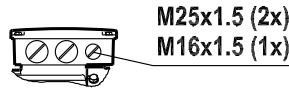
/Fl. (B3)





DRL80S BE

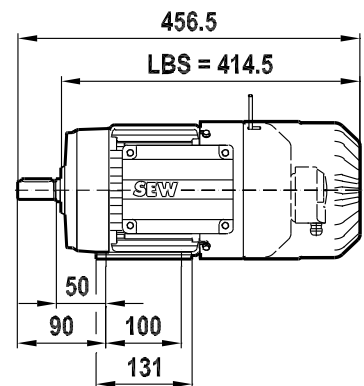
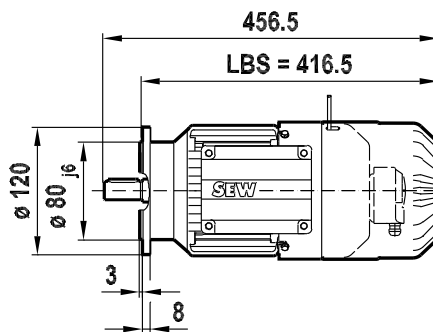
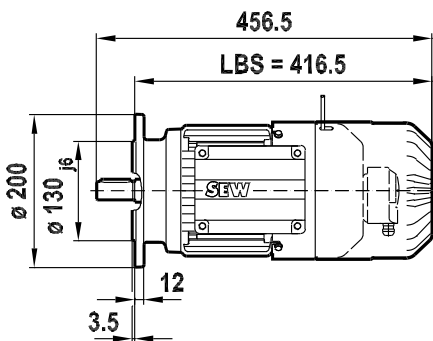
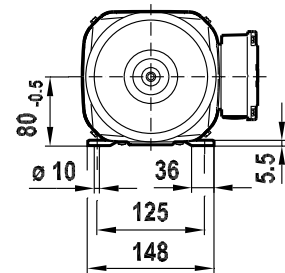
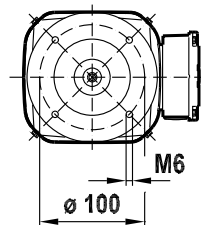
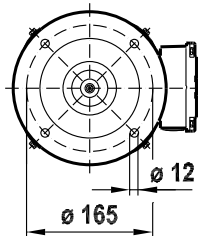
09 488 00 10
1 (1)

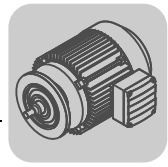


/FF (B5) FF165

/FT (B14) FT100

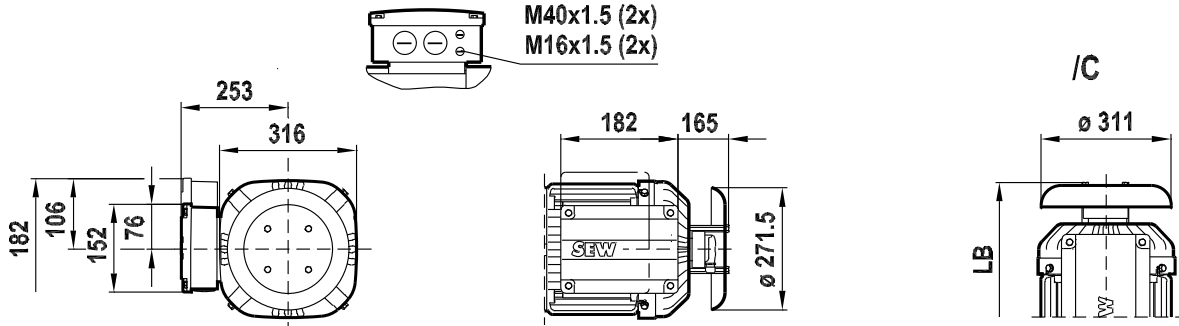
/FI.. (B3)





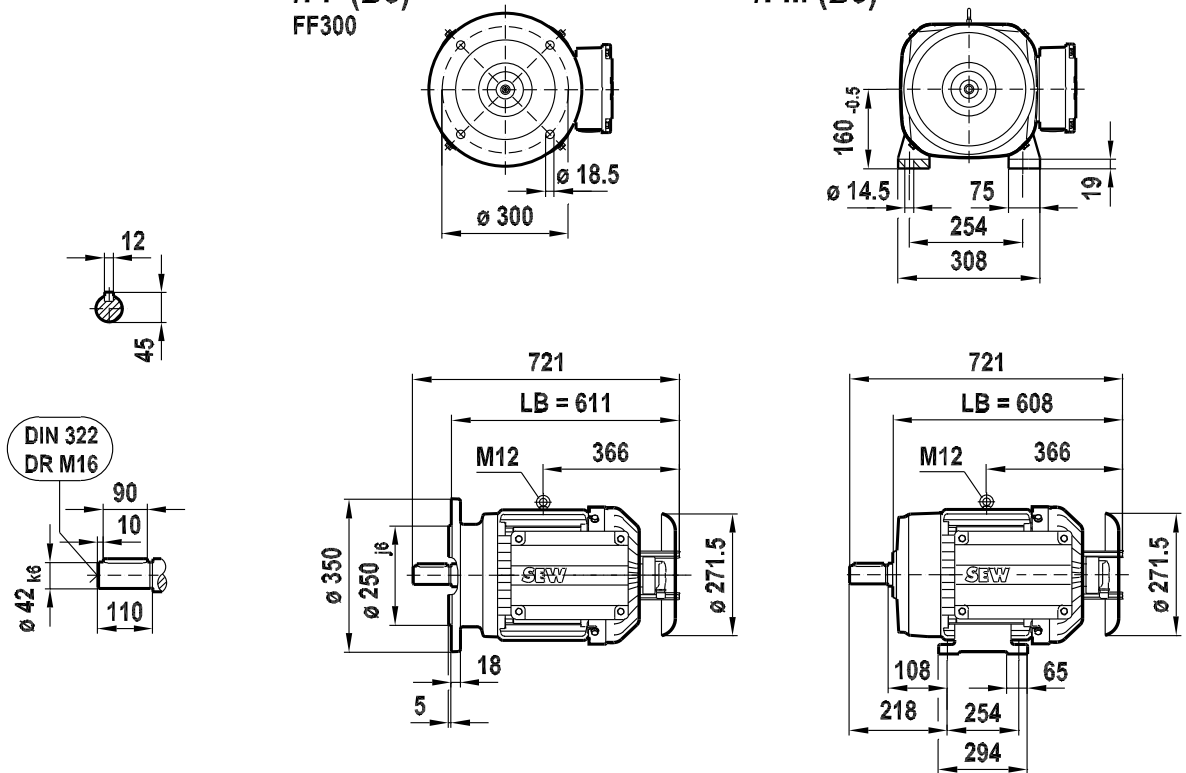
DRL180S

08 682 00 10
1 (1)



/FF (B5)
FF300

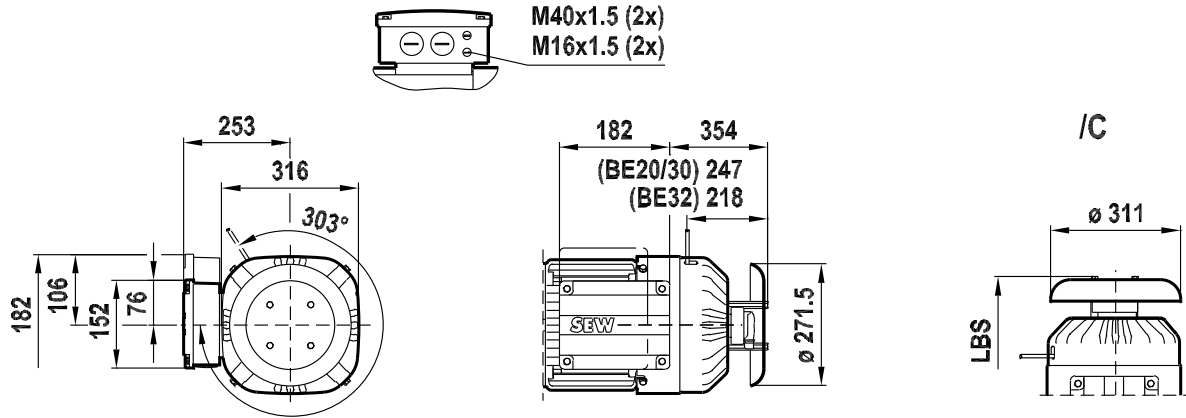
/Fl. (B3)





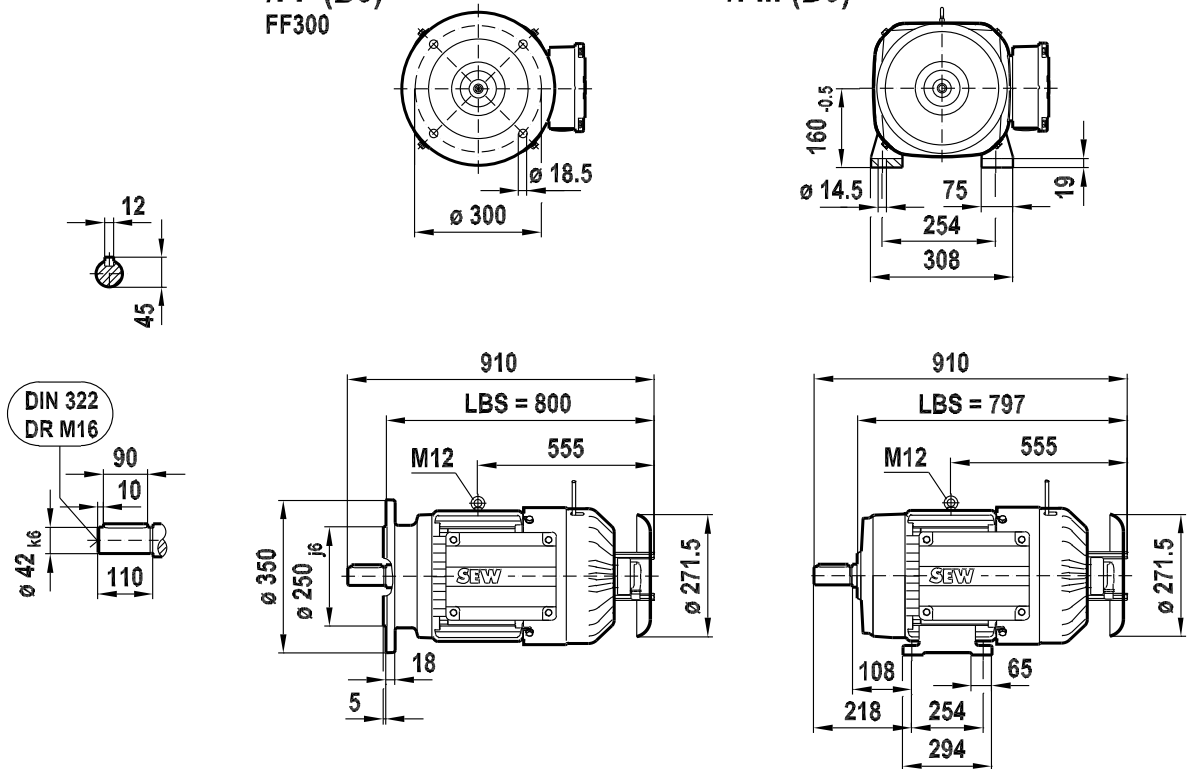
DRL180S BE

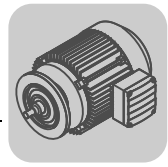
09 489 00 10
1 (1)



/FF (B5)
FF300

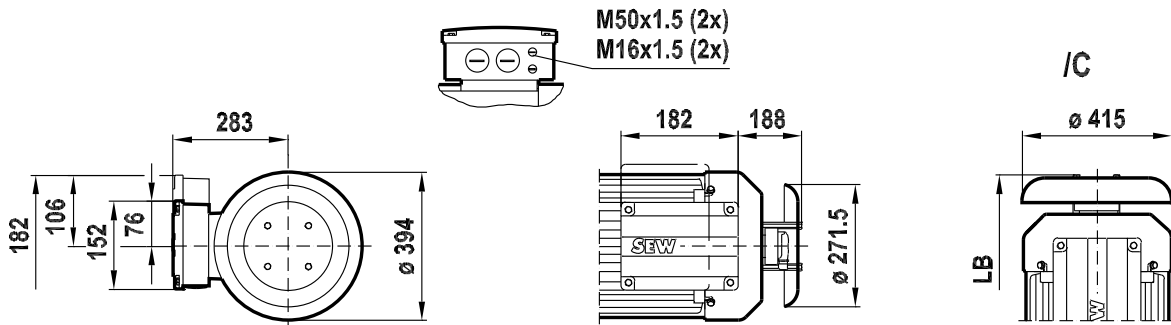
/FI.. (B3)





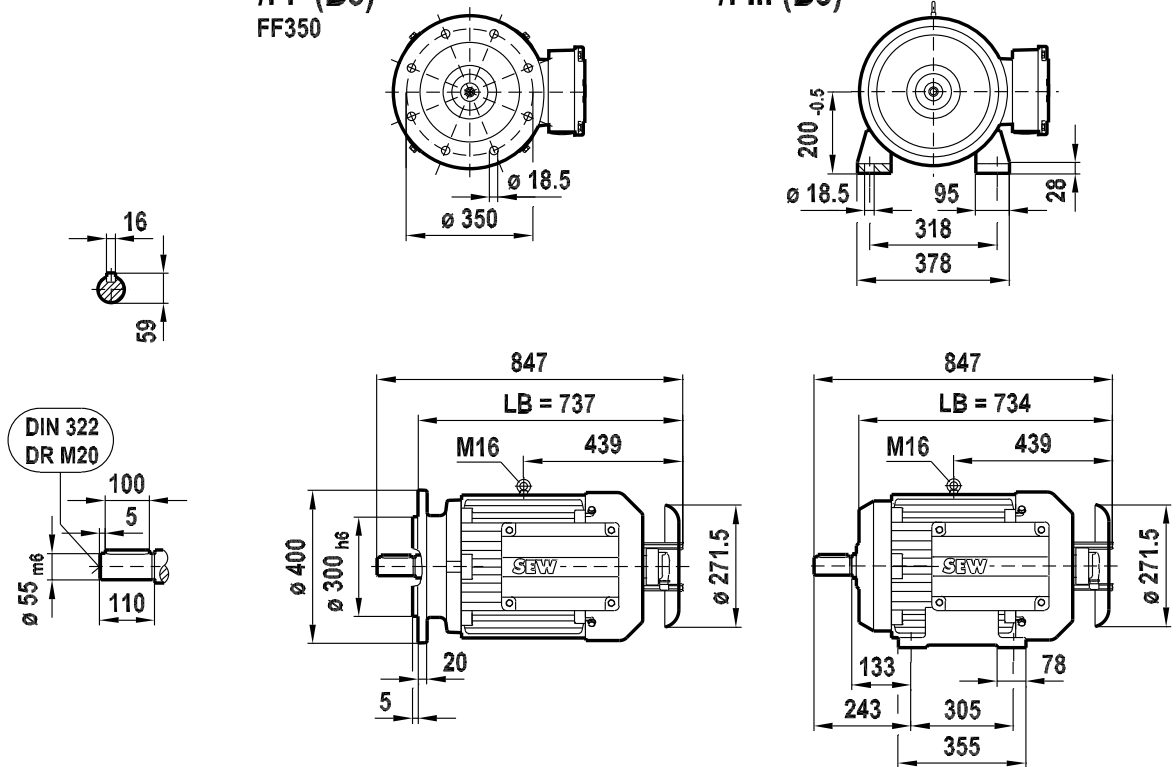
DRL200L

08 683 00 10
1 (1)



/FF (B5)
FF350

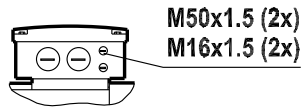
/Fl. (B3)



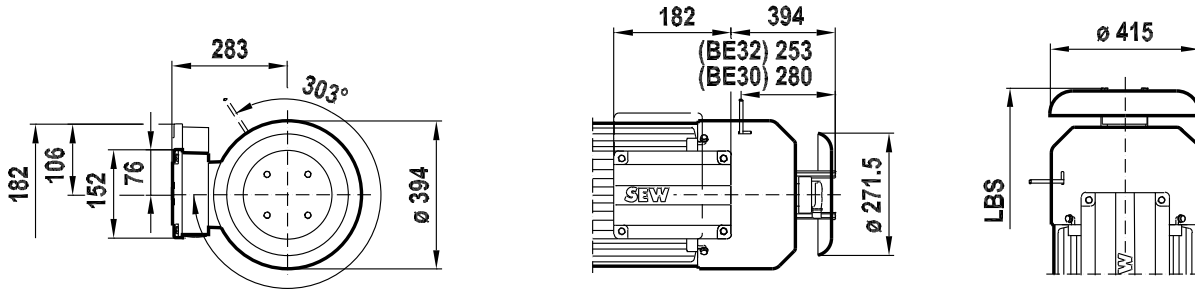


DRL200L BE

09 490 00 10
1 (1)

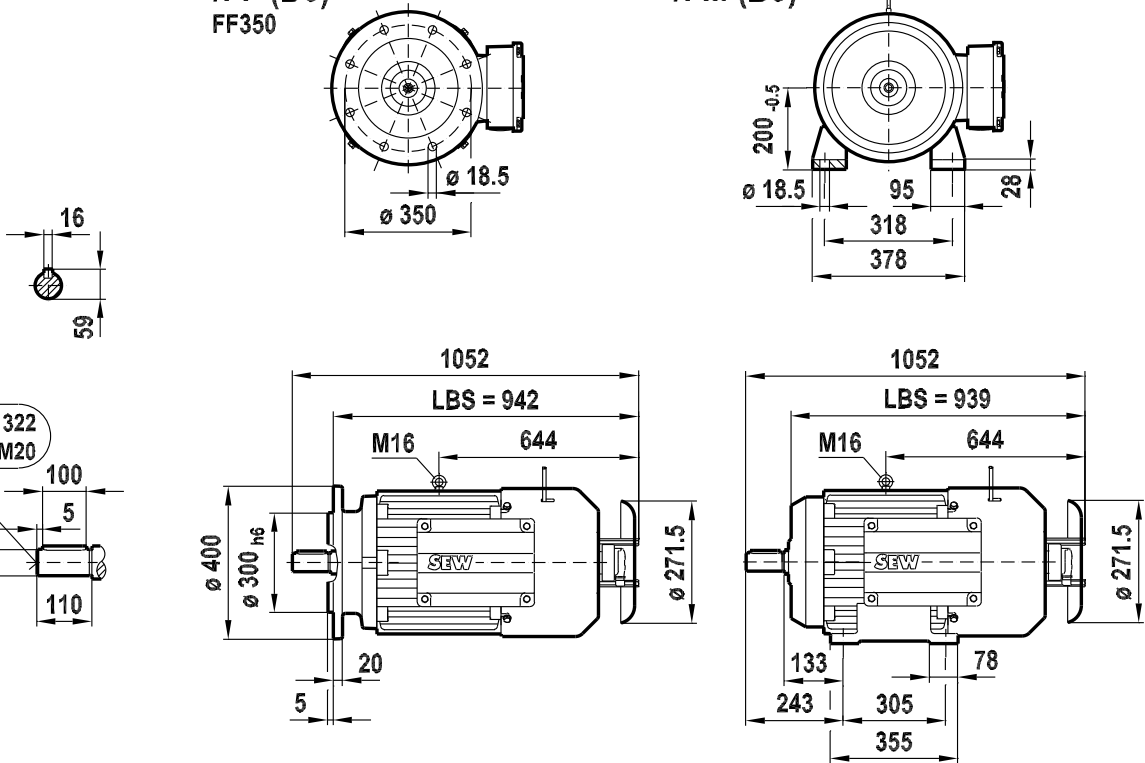


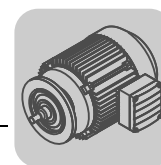
/C



/FF (B5)
FF350

/FI.. (B3)





3 Technical Data of DRL Motors

3.1 Key to the data tables

The following table lists the short symbols used in the "Technical Data" tables.

n_N	Rated speed
M_N	Rated torque
I_N	Rated current
J_{Mot}	Mass moment of inertia of the motor
M_{pk} Dyn1	Maximum limit torque (dynamics package 1)
M_{pk} Dyn2	Maximum limit torque (dynamics package 2)
m	Mass of the motor
BE..	Brake used
m_B	Mass of the brakemotor
J_{MOT_BE}	Mass moment of inertia of the brakemotor
M_B Dyn1	Braking torque (dynamics package 1)
M_B Dyn2	Braking torque (dynamics package 2)

3.2 Technical data of DRL asynchronous servomotors

Servomotors – System voltage: 400 V

n_N	Motor type	M_N [Nm]	I_N [A]	M_{pk} Dyn1 [Nm]	M_{pk} Dyn2 [Nm]	m [kg]	J_{Mot} [10 ⁻⁴ kgm ²]
1200	DRL80S	6.5	2.15	10	25	11.5	14.9
	DRL180S	120	34.5	210	380	122	900
	DRL200L	200	58.5	475	680	260	2360
1700	DRL80S	6.5	2.96	10	25	11.5	14.9
	DRL180S	120	47.5	210	380	122	900
	DRL200L	200	80.6	475	680	260	2360
2100	DRL80S	6.2	3.59	10	25	11.5	14.9
	DRL180S	110	55.3	210	380	122	900
	DRL200L	195	99	475	680	260	2360
3000	DRL80S	6	4.82	10	25	11.5	14.9
	DRL180S	100	70.1	210	380	122	900
	DRL200L	165	118	475	680	260	2360

Servo brakemotors – System voltage: 400 V

n_N	Motor type	M_N [Nm]	I_N [A]	BE..	M_B Dyn1 [Nm]	M_B Dyn2 [Nm]	m_B [kg] ¹⁾	J_{Mot_BE} [10 ⁻⁴ kgm ²]
1200	DRL80S	6.5	2.15	BE2	10	20	15.2	19.4
	DRL180S	120	34.5	BE30	200	300	162	1030
	DRL200L	200	58.5	BE32	400	600	315	2590
1700	DRL80S	6.5	2.96	BE2	10	20	15.2	19.4
	DRL180S	120	47.5	BE30	200	300	162	1030
	DRL200L	200	80.6	BE32	400	600	315	2590
2100	DRL80S	6.2	3.59	BE2	10	20	15.2	19.4
	DRL180S	110	55.3	BE30	200	300	162	1030
	DRL200L	195	99	BE32	400	600	315	2590
3000	DRL80S	6	4.82	BE2	10	20	15.2	19.4
	DRL180S	100	70.1	BE30	200	300	162	1030
	DRL200L	165	118	BE32	400	600	315	2590

1) Applies to foot-mounted motor with brake (DRL...BE../FI..)



SEW-EURODRIVE
Driving the world

SEW
EURODRIVE

SEW-EURODRIVE GmbH & Co KG
P.O. Box 3023
D-76642 Bruchsal/Germany
Phone +49 7251 75-0
Fax +49 7251 75-1970
sew@sew-eurodrive.com

→ www.sew-eurodrive.com