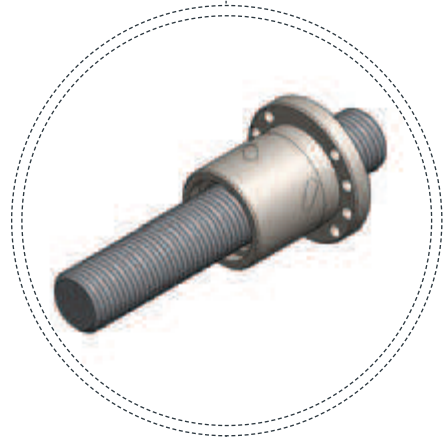


VIS A BILLES DE PRECISION PROGRAMME FORTES CHARGES

RADIAL DEFLECTORS

HLF radial





FEATURES

ELitec high load ball screws series: solutions for special applications where the ratio load capacity/stroke must be high. It offers compact designs performing large static and dynamic values for ground finishing ball screws. Highest reliability for short strokes and severe frequency of working cycles.

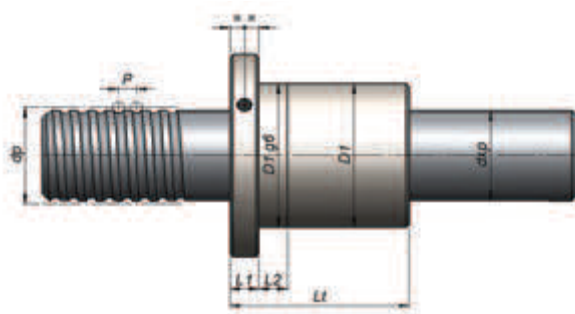
RANGE OF PRODUCTION

		Lead																																							
		5			6			8			10			12			15			16			20			25			30			32			40			50			55
nc		2	4	5	2	4	5	2	3	4	3	5	6	3	5	6	3	5	6	3	4	5	3	4	5	3	4	5	3	4	5	2	3	4	2	3	4	2	3	4	
Diameter	20																																								
	25																																								
	32																																								
	40																																								
	50																																								
	55																																								
	63																																								
	80																																								
	100																																								
	120																																								
	125																																								
	140																																								
	160																																								
	180																																								
	200																																								
	220																																								
	240																																								
260																																									
280																																									
300																																									

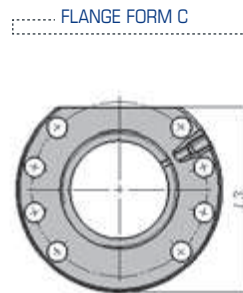
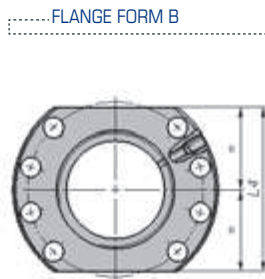
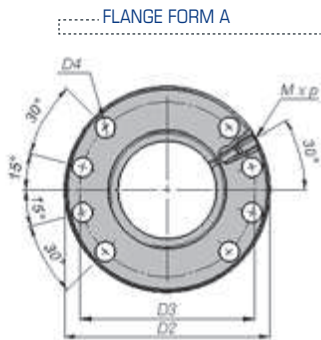
H HIGH LOAD FLANGED (RADIAL DEFLECTORS)

HIGH LOAD FLANGED

RADIAL DEFLECTORS



CODE	d	p	Øball	Nc	LT	Coa	Ca	
					±0,1	N	N	
HLF 040x10-08-8 -R	40	10	7,938	8	130	440.255	138.856	
HLF 040x12-10-8 -R		12	9,525	8	155	512.738	172.253	
HLF 040x16-13-8 -R		16	12,7	12,7	8	200	627.533	230.405
HLF 050x10-08-8 -R	50	10	7,938	8	130	573.908	158.755	
HLF 050x12-10-8 -R		12	9,525	8	155	674.651	199.954	
HLF 050x16-13-8 -R		16	12,7	12,7	8	200	974.757	331.233
HLF 055x10-08-8 -R	55	10	7,938	8	130	640.897	167.337	
HLF 055x12-10-8 -R		12	9,525	8	155	729.825	211.873	
HLF 055x16-13-8 -R		16	12,7	12,7	8	200	1.090.200	351.931
HLF 063x12-10-8 -R	63	12	9,525	8	155	855.565	228.965	
HLF 063x16-13-8 -R		16	12,7	12,7	8	200	1.245.262	372.588
HLF 063x20-16-8 -R		20	15,875	15,875	8	245	1.533.502	495.213
HLF 080x12-10-8 -R	80	12	9,525	8	160	1.123.377	259.490	
HLF 080x16-13-8 -R		16	12,7	12,7	8	205	1.582.376	411.544
HLF 080x20-16-8 -R		20	15,875	15,875	8	250	1.990.737	563.526
HLF 080x25-20-8 -R		25	19,05	19,05	8	300	2.270.296	688.450
HLF 100x16-13-8 -R	100	16	12,7	8	215	2.137.125	484.961	
HLF 100x20-16-8 -R		20	15,875	15,875	8	250	2.595.381	643.831
HLF 100x25-20-8 -R		25	19,05	19,05	8	310	2.989.309	799.636
HLF 125x16-13-8 -R	125	16	12,7	8	210	2.741.882	541.010	
HLF 125x20-16-8 -R		20	15,875	15,875	8	250	3.346.811	725.417
HLF 125x25-20-8 -R		25	19,05	19,05	8	310	3.892.271	911.987
HLF 140x20-16-8 -R	140	20	15,875	8	250	2.825.032	724.781	
HLF 140x25-20-8 -R		25	19,05	19,05	8	305	3.289.770	920.848
HLF 140x32-25-8 -R		32	25,4	25,4	8	390	4.168.652	1.330.653
HLF 160x32-25-8 -R	160	32	25,4	8	390	4.908.271	1.434.428	
HLF 160x40-30-6 -R		40	29,369	29,369	6	395	4.164.738	1.425.815
HLF 180x32-25-8 -R		180	32	25,4	8	390	5.619.677	1.520.549
HLF 180x40-30-6 -R	40		29,369	29,369	6	400	5.497.257	1.669.578
HLF 180x50-36-5 -R	50		35,719	35,719	5	430	5.367.524	1.784.528
HLF 200x32-25-5 -R	200	32	25,4	5	300	3.976.247	1.070.062	
HLF 200x40-30-6 -R		40	29,369	29,369	6	405	4.663.088	1.544.941
HLF 220x32-25-5 -R		220	32	25,4	5	300	4.421.885	1.117.055
HLF 220x40-30-6 -R	40		29,369	29,369	6	405	5.625.586	1.598.467
HLF 240x32-25-5 -R	240		32	25,4	5	300	4.886.735	1.163.441
HLF 240x40-30-6 -R		40	29,369	29,369	6	405	6.324.533	1.507.176
HLF 260x32-25-5 -R		260	32	25,4	5	300	5.332.920	1.203.702
HLF 260x40-30-6 -R	40		29,369	29,369	6	405	6.871.360	1.668.883
HLF 280x32-25-5 -R	280		32	25,4	5	300	5.798.314	1.244.215
HLF 280x40-30-6 -R		40	29,369	29,369	6	405	7.229.577	1.698.023
HLF 280x55-43-4 -R		55	42,862	42,862	4	420	6.998.765	1.992.57



D1g6	D2	D3	D4	N° of HOLES	MXP	L1	L2	L3	L4	CODE
	h13	±0,1	H13				+2	h13	h13	
63	93	78	9	8	M8x1	16	18	81,5	70	HLF 040x10-08-8 -R
70	100	85	9	8	M8x1	20	25	91	82	HLF 040x12-10-8 -R
70	100	85	9	8	M8x1	20	25	91	82	HLF 040x16-13-8 -R
75	110	93	11	8	M8x1	16	18	97,5	85	HLF 050x10-08-8 -R
85	120	103	11	8	M8x1	20	25	107,5	85	HLF 050x12-10-8 -R
90	125	108	11	8	M8x1	20	25	110	95	HLF 050x16-13-8 -R
80	115	98	11	8	M8x1	16	18	105,5	96	HLF 055x10-08-8 -R
90	125	108	11	8	M8x1	20	25	110	95	HLF 055x12-10-8 -R
90	125	108	11	8	M8x1	20	25	110	95	HLF 055x16-13-8 -R
95	128	111,5	11	8	M8x1	20	25	114	95	HLF 063x12-10-8 -R
105	145	125	13,5	8	M8x1	20	25	127,5	110	HLF 063x16-13-8 -R
120	160	140	13,5	8	M8x1	25	30	142,5	125	HLF 063x20-16-8 -R
125	165	145	13,5	8	M8x1	25	30	147,5	130	HLF 080x12-10-8 -R
125	165	145	13,5	8	M8x1	25	30	147,5	130	HLF 080x16-13-8 -R
125	165	145	13,5	8	M8x1	25	30	147,5	130	HLF 080x20-16-8 -R
130	170	150	13,5	8	M8x1	25	30	152,5	135	HLF 080x25-20-8 -R
145	192	168	17,5	8	M8x1	30	30	172,5	155	HLF 100x16-13-8 -R
150	202	176	17,5	8	M8x1	30	30	178,5	155	HLF 100x20-16-8 -R
160	212	186	17,5	8	M8x1	30	30	188,5	165	HLF 100x25-20-8 -R
170	222	196	17,5	8	M8x1	30	30	198,5	175	HLF 125x16-13-8 -R
180	232	206	17,5	8	M8x1	30	30	208,5	185	HLF 125x20-16-8 -R
190	242	216	17,5	8	M8x1	30	30	218,5	195	HLF 125x25-20-8 -R
190	242	216	17,5	8	M8x1	30	30	218,5	195	HLF 140x20-16-8 -R
200	252	226	17,5	8	M8x1	30	30	228,5	205	HLF 140x25-20-8 -R
220	272	246	17,5	8	M8x1	40	30	248,5	225	HLF 140x32-25-8 -R
220	272	246	22	8	M10x1	40	30	248,5	225	HLF 160x32-25-8 -R
260	320	286	22	8	M10x1	40	30	288,5	265	HLF 160x40-30-6 -R
260	320	286	22	8	M10x1	40	30	288,5	265	HLF 180x32-25-8 -R
280	340	306	22	8	M10x1	40	30	308,5	285	HLF 180x40-30-6 -R
300	360	326	22	8	M10x1	40	30	328,5	305	HLF 180x50-36-5 -R
280	340	306	26	8	M10x1	45	30	308,5	285	HLF 200x32-25-5 -R
300	360	326	26	8	M10x1	45	30	328,5	305	HLF 200x40-30-6 -R
300	360	326	26	8	M10x1	45	30	328,5	305	HLF 220x32-25-5 -R
320	380	346	26	8	M10x1	45	30	348,5	325	HLF 220x40-30-6 -R
320	380	346	26	8	M10x1	45	30	348,5	325	HLF 240x32-25-5 -R
340	400	366	26	8	M10x1	45	30	368,5	345	HLF 240x40-30-6 -R
340	400	366	26	8	M10x1	45	30	368,5	345	HLF 260x32-25-5 -R
360	420	386	26	8	M10x1	45	30	388,5	365	HLF 260x40-30-6 -R
360	420	386	26	8	M10x1	45	30	388,5	365	HLF 280x32-25-5 -R
380	440	406	26	8	M10x1	45	30	408,5	385	HLF 280x40-30-6 -R
420	480	446	26	8	M10x1	45	30	448,5	425	HLF 280x55-43-4 -R