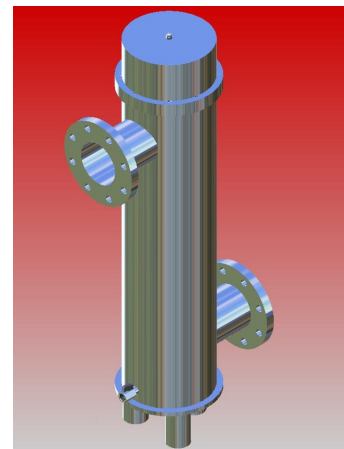
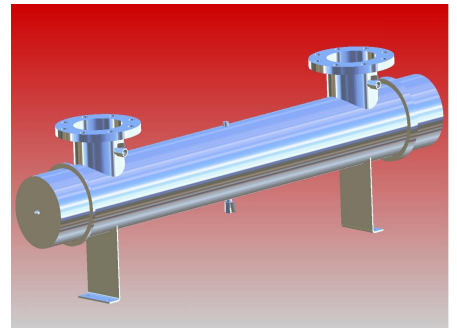


Strictly Confidential

Low Pressure UV Systems for Water & Air Disinfection



Strictly Confidential

INDEX

UV-C Disinfection system

Pag.	2-3	Domestic Series
Pag.	3	Steril Pure Water Sterilizer
Pag.	4-5	R-LCD Series
Pag.	6-7	EC2 UV R-Series
Pag.	8-9	EC3 UV R-Series

Equipment of COMBI Series – Filtration & UV

Pag.	10-11	COMBI: UV-C sterilizers + filter with S/S cartridges
------	-------	--

Pool UV Series

Pag.	12	Pool Series (Private Pools)
------	----	-----------------------------

Spare parts (UV Systems)

Pag.	13	Lamps - quartz - accessories
------	----	------------------------------

Disinfection of Air – Surface - Food

Pag.	14	Ceiling MQ Series
Pag.	15	Air Forced MC Series

Strictly Confidential

UV-C DISINFECTION SYSTEMS DOMESTIC ECO- UV SERIES

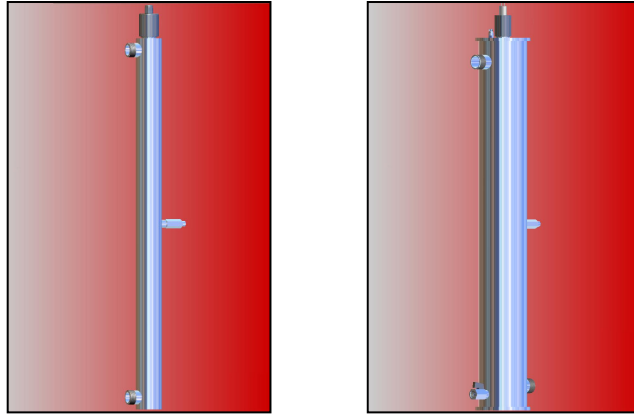


TABLE FOR THE UNIT IDENTIFICATION- UV DOSE 30 mJ/cm²

MODEL	Standard	with LCD	Max Flow-rate (l/min)	No. lamps	IN/OUT
ECO-05	X		5	1x12w	1/8"
ECO-10	X		10	1x16w	1/2"
ECO-20	X	X	19	1x30w	3/4"
ECO-45	X	X	45	1x40w	1"
ECO-60		X	60	1x40w	1"
ECO-75		X	75	2x40w	1 "
ECO-85		X	85	1x80w	1 1/2"
ECO-100 (1)		X	100	2x40w	1 1/2"
Chamber Material: AISI 304 (AISI 316 L on request)					

(1): UV dose = 40 mJ/cm²

TABLE FOR THE ELECTRICAL BOX IDENTIFICATION (mod. ECO-05/-10/-20/-45)

Red/Green Led (Anomaly/Working)
Plug compatible with European outlet (optional passing cable)

TABLE FOR CONTROL PANEL IDENTIFICATION

LCD PLUS	LCD	Microprocessor controlled System
		Hour-meter
		Red led of anomaly
		Working Lamp control
		Alarm relay Free Contact NO / NC
		Alarm relay 230 V NO / NC outlet – 2 A max
	Resetable count down hour-meter with alarm for end lamp life	
	Display of Irradiation /temperature control	
Shut off in case of high temperature of the UV reactor		

Strictly Confidential

**DOMESTIC UV STERILISER - STERIL PURE PLUS SERIES
WITH PRE-FILTRATION, CARBON FILTRATION & UV STERILISER**



Code	Model	IN/OUT connections	Max flow rate
027199/P	STERIL PURE 10"	$\frac{1}{8}$ "	5 lpm
7020	STERIL PURE 20"	$\frac{3}{4}$ "	10 lpm

Strictly Confidential

UV-C DISINFECTION SYSTEMS R-LCD SERIES

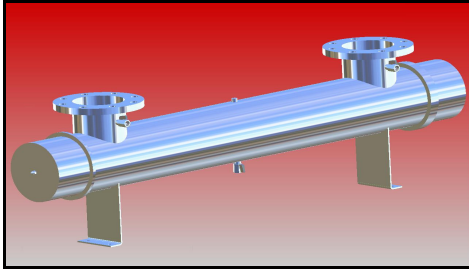


TABLE FOR UNIT IDENTIFICATION – UV DOSE 40 mJ/cm²

MODEL	Max Flow-rate		No. lamps	IN/OUT connections
	l/min	m ³ /h		
EC0-100 R-LCD	100	6	2 x 40W	1 1/2"
EC1-130 R-LCD	133	8	3	1 1/2"
EC1-230 R-LCD	233	14	4	2"
EC1-330 R-LCD	333	20	5	2"
EC2-30 R-LCD	500	30	4 x 80w	DN 80 – PN 10
EC2-40 R-LCD	667	40	5 x 80w	DN 80 – PN 10

Chamber material: S/S AISI 304 polished (AISI 316 L on request)

SPECIAL EQUIPMENTS - OPTIONAL

With a special internal treatment for aggressive water or for sea water, for hot water, for high pressure, with cleaning system of quartz sleeves (chemical or wipers).

TABLE FOR CONTROL PANEL IDENTIFICATION

R-LCD PLUS	R-LCD	Microprocessor controlled System
		Hour-meter
		Resettable count down hour-meter with alarm for end lamp life
		Red led of anomaly
		Working Lamp control
		Alarm relay Free Contact NO / NC
		Alarm relay 230 V NO / NC outlet – 2 A max
	Display of Irradiation /temperature control	
Shut off in case of high temperature of the UV reactor		

Strictly Confidential

UV-C DISINFECTION SYSTEM EC2 - DS-SERIES

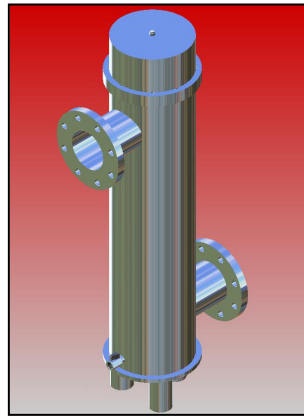
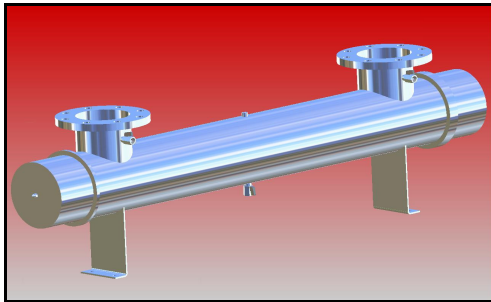


TABLE FOR UNIT IDENTIFICATION – UV DOSE 40mJ/cm²

MODEL	Flow-rate	No. lamps	IN/OUT connections
	m ³ /h		
EC2-30	30	4 x 80W	DN 80 – PN 10
EC2-40	40	5	DN 80 – PN 10
EC2-65	65	6	DN 100 – PN 10
EC2-80	80	8	DN 100 – PN 10
EC2-135	135	10	DN 150 – PN 10
EC2-200	200	12	DN 150 – PN 10
EC2-250	250	15	DN 200 – PN 10
EC2-345	345	18	DN 200 – PN 10
EC2-400	400	22	DN 250 – PN 10
Chamber material: S/S AISI 304 polished (AISI 316 L on request)			

TABLE FOR CONTROL PANEL IDENTIFICATION

Rack Plus DS	Rack DS	Control of lamps working
		Hour-meter and Resettable count down hour-meter with alarm for end lamp life
		Free contact NO/NC
		220V NA/NC Outlet – 5A max
		Electrical Panel Temperature Control
		ON/OFF timer
		Datalog (data downloadable with the appropriate software as optional)
Rack Plus DS	Control of water temperature-irradiation	
	Shutdown for high temperature UV chamber or electrical panel	
	Datalog Irr./Temp. (downloadable with appropriate software optional)	
Optional	Shut OFF for flooding	
	Remote ON/OFF	
	Possible communication with an external flow meter	
	Dose Calculation	
	4-20 mA Outlet	

Strictly Confidential

SPECIAL EQUIPMENT – OPTIONAL

- ✓ With a special internal treatment for aggressive or sea water
- ✓ For hot water
- ✓ For high pressure
- ✓ Automatic/manual/chemical cleaning system
- ✓ DVGW or O-Norm approved irradiation sensor

Strictly Confidential

UV-C DISINFECTION SYSTEM - EC3 - DS SERIES

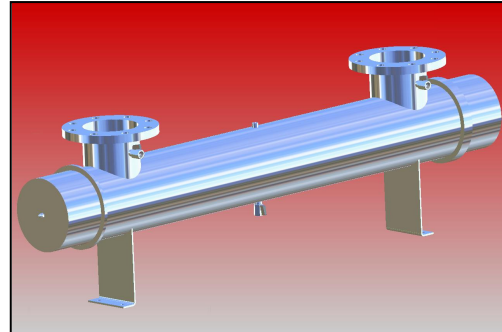


TABLE FOR UNIT IDENTIFICATION – UV DOSE 40 mJ/cm²

MODEL	Flow rate, m ³ /h	No. lamps	IN/OUT connections
EC3-55	55	4x150W	DN 80 - PN 10
EC3-70	70	5	DN 100 – PN 10
EC3-110	110	6	DN 150 - PN 10
EC3-150	150	8	DN 150 - PN 10
EC3-220	220	10	DN 150 - PN 10
EC3-320	320	12	DN 200 - PN 10
EC3-410	410	15	DN 250 - PN 10
EC3-550	550	18	DN 250 - PN 10
EC3-680	680	22	DN 300 - PN 10
EC3-1100	1,090	28	DN 400 - PN 10
EC3-1400	1,400	35	Upon request
EC3-2800	Please call	70	Upon request
EC3-5600	Please call	50 X 400W	Upon request
Chamber material: S/S AISI 304 polished (on request AISI 316 L)			

TABLE FOR CONTROL PANEL IDENTIFICATION

Rack Plus DS	Rack DS	Control of lamps working
		Hour-meter and Resettable count down hour-meter with alarm for end lamp life
		Free contact NO/NC
		220V NA/NC Outlet – 5A max
		Electrical Panel Temperature Control
		ON/OFF timer
		Datalog (data downloadable with the appropriate software as optional)
Rack Plus DS	Rack DS	Control of water temperature-irradiation
		Shutdown for high temperature UV chamber or electrical panel
		Datalog Irr./Temp. (downloadable with appropriate software optional)
Optional	Shut OFF for flooding	
	Remote ON/OFF	
	Possible communication with an external flow meter	
	Dose Calculation	
	4-20 mA Outlet	

Strictly Confidential

SPECIAL EQUIPMENT - OPTIONAL

- ✓ With a special internal treatment for aggressive or sea water
- ✓ For hot water
- ✓ For high pressure
- ✓ Automatic/manual/chemical cleaning system
- ✓ DVGW or O-Norm approved irradiation sensor

Strictly Confidential

**UV-C DISINFECTION SYSTEM
400 DS AMALGAM SERIES**

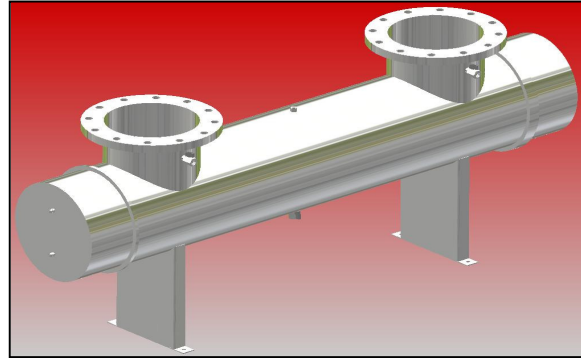


TABLE FOR THE UNIT IDENTIFICATION - UV DOSE 40 mJ/cm²

MODEL	Flow rate		No. lamps	IN/OUT connections
	l/min	m ³ /h		
UV 400/3	2,500	150	3	DN 150 - PN 10
UV 400/4	4,167	250	4	DN 200 - PN 10
UV 400/5	5,000	300	5	DN 200 - PN 10
UV 400/6	7,000	420	6	DN 250 - PN 10
UV 400/8	10,000	600	8	DN 250 - PN 10
UV 400/10	13,834	830	10	DN 300 - PN 10
UV 400/12	16,333	980	12	DN 350 - PN 10
UV 400/15	22,500	1350	15	DN 400 - PN 10
Manifold material: S/S AISI 304 polished (on request AISI 316 L: increase 18%)				

TABLE FOR THE CONTROL PANEL IDENTIFICATION

See EC2-DS and EC3-DS series

SPECIAL EQUIPMENTS

See EC2-DS and EC3-DS series

Automatic cleaning system : Optional

Strictly Confidential

COMBI SERIES Filtration & UV Disinfection Systems

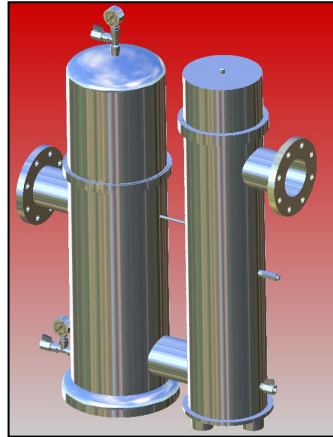


TABLE FOR UNIT IDENTIFICATION

MODEL	Flow-rate		Filtering	No. lamps	IN/OUT connections
	l/min	m ³ /h			

LCD Series

COMBI-ECO-100	100	6	50 µm – 3 CX 10"	2	1 1/2"
COMBI-EC1-130	133	8	50 µm – 3 CX 10"	3	1 1/2"
COMBI-EC1-230	233	14	50 µm – 1 CX 70	4	2"
COMBI-EC1-330	333	20	50 µm – 1 CX 70	5	2"
COMBI-EC2-30	500	30	50 µm – 1 CX 70	4	2"
COMBI-EC2-40	666	40	50 µm – 1 CX 100	5	3"

EC2 Series

COMBI-EC2-65-DS	1,083	65	50 µm – 3 CX 70	6	3"
COMBI-EC2-80-DS	1,333	80	50 µm – 3 CX 70	8	DN 100 – PN 10
COMBI-EC2-120-DS	2,000	120	50 µm – 3 CX 100	10	DN 100 – PN 10

Manifold material: S/S AISI 304 polished (on request AISI 316 L)

Cartridges material: S/S AISI 316 (filtering rate 150 or 300 µm on request)

TABLE FOR CONTROL PANEL IDENTIFICATION COMBI-ECO-100

See technical datasheet UV disinfection systems LCD Series (Page 2)

TABLE FOR CONTROL PANEL IDENTIFICATION COMBI R-LCD SERIES

See technical datasheet UV disinfection systems LCD Series (Page 4)

TABLE FOR CONTROL PANEL IDENTIFICATION COMBI EC2 R-SERIES

See technical datasheet UV disinfection systems EC2 Series (Pag 6)

ON REQUEST

- ✓ For hot water
- ✓ With high flow-rate
- ✓ Cartridges S/S AISI 316 - 150 or 300 µm

Strictly Confidential

UV-C SYSTEM FOR RESIDENTIAL POOLS LCD SERIES



TABLE FOR UNIT IDENTIFICATION

MODEL	Flow rate l/min	N. lamps/ Watt	IN/OUT connections
POOL 4	67	1 – 40W	1 ½"
POOL 7	117	1 – 40W	2"
POOL 14	233	1 – 80W	2"
POOL 18	300	1 – 80W	2"
POOL 34	565	2 – 80W	2"

Manifold material: S/S AISI 304 polished (on request AISI 316 L)

TABLE FOR THE CONTROL PANEL IDENTIFICATION

POOL LCD	Microprocessor controlled System
	Hour-meter
	Red led of anomaly
	Working Lamp control
	Alarm relay Free Contact NO / NC
	Alarm relay 230 V NO / NC outlet – 2 A max

Strictly Confidential

SPARE PARTS

LAMPS FOR UV SYSTEMS		
Code	Item	Pack.
026410	Lamp for Steril Pure	4
026410/1	Lamp for ECO-05	4
028110	Lamp for ECO-10	4
028102	Lamp for ECO-20	4
028104	Lamp for ECO-45 and EC1 UV-series	4
028124	Lamp for EC2 UV-series	4
028125	Lamp for EC3 UV-series	4
028104/BM	Lamp for COMBI series	4
028121	Lamp for EC1 TOC-series	4
028124/VH	Lamp for EC2 TOC-series	4
028125/VH	Lamp for EC3 TOC-series	4

QUARTZ SLEEVES		
Code	Item	Pack.
026411	Quartz for Steril Pure	4
026411/1	Quartz for ECO-05	4
028111	Quartz for ECO-10	4
028103	Quartz for ECO-20	4
028105	Quartz for ECO-45, EC1 and EC2 UV-series	4
028204	Quartz for EC3 UV-series	4

ACCESSORIES		
Code	Item	Pack.
026427	Fixing Clip For ECO-05 (D 40)	1
026427/B	Fixing Clip For ECO-10, ECO-20, ECO-45 (D 60)	1
026223	Elbow Connection 1/8 x 6 S.R.	1
028049	Temperature / Irradiation Sensor Kit(1")	1
028049/B	Amplified selective sensor for irradiation and temperature control	1
UV737	Temperature / Irradiation Sensor for R-series, R-LCD and LCD Series	1
UV740	DVGW approved irradiation sensor for Rack Series	1
UV748	Temperature / Irradiation control Sensor for EC1 and EC2 version (not R-series)	1
028061	O-ring for quartz single lamp EC1, EC2, EC3 series	1
028034	Contact cover	1
028060	Nylon sleeve-bolt	1
028036	Lamp- stand spring	1
028088	4-pin socket	1
028034/K	Contact cover kit (4-pin socket + contact cover+ 1m. cable)	1

For other spare parts and accessories please contact ESCO International

Strictly Confidential

DISINFECTION
AIR – SURFACE - FOOD

MQ – MC Series



TABLE FOR UNIT IDENTIFICATION

CEILING SERIES

MODEL	Irradiance (1m)	N° lamp	Dimensions (L x P x S)
MQS 1/40	140 μ W/cm ²	1 – 40W	105x21x5 cm
MQS 1/80	280	1 – 80W	105x21x5 cm
MQS 2/80	560	2 – 80W	105x21x10 cm
MQP 1/40	140	1 – 40W	95x23x11 cm
MQP 2/40	280	2 – 40W	95x23x11 cm
MQP 2/80	560	2 – 80W	95x23x11 cm

FORCED AIR SERIES

MODEL	Irradiance (1m)	N° lamp	Dimensions (L x P x S)
90 MC	90 μ W/cm ²	40 W + 20 W	120 x 16 cm
180 MC	180	80 W + 35 W	120 x 16 cm
280 MC	250	80 W + 48 W	130 x 24 cm
350 MC	350	120 W + 48 W	130 x 24 cm
450 MC	450	160 W + 48 W	130 x 24 cm