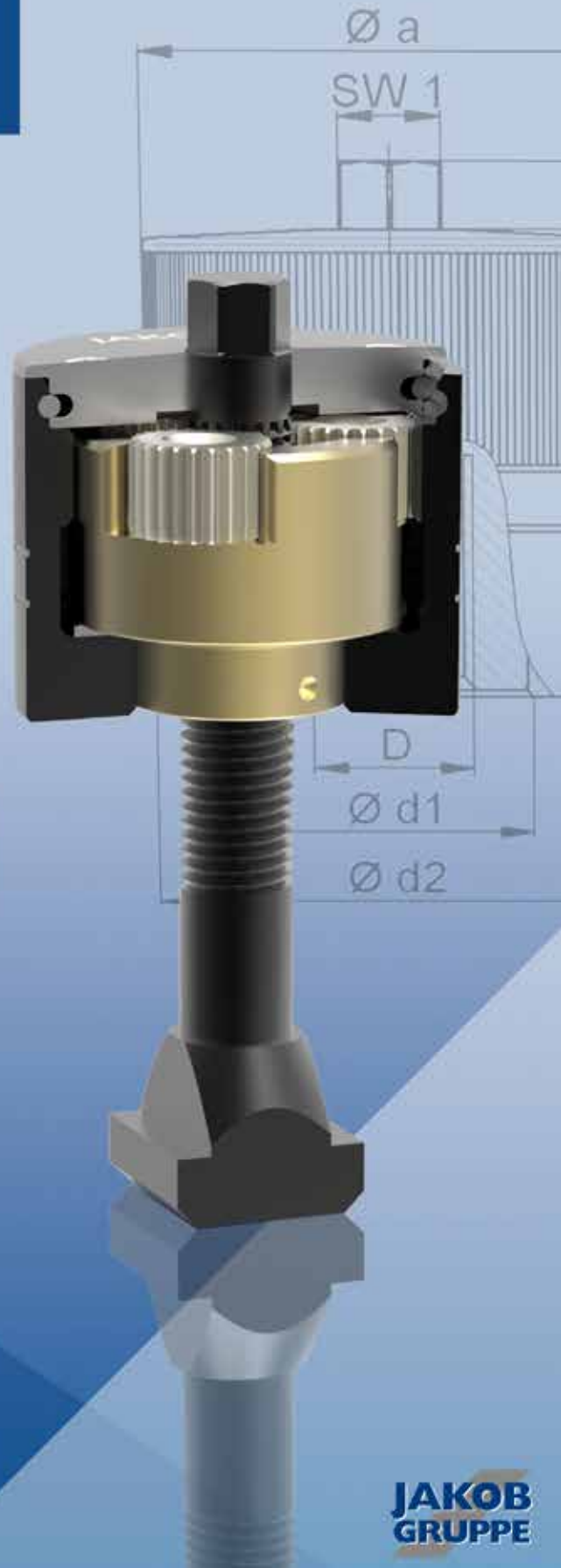


Clamping elements



The company JAKOB

JAKOB Antriebstechnik GmbH is a leading manufacturer of servo couplings, safety couplings and mechanical clamping elements internationally.

For almost 50 years JAKOB has been developing and producing various types of torsionally stiff metal bellows couplings and safety couplings for the servo drive industry. Throughout our history we have earned ourselves the reputation of being a reliable and competent partner in the motion control industry.

JAKOB is a market leader in the area of mechanical tool and component clamping with its innovative and unique

clamping technology. The JAKOB wedge clamping technology combines high clamping forces with low actuation torques and maximum operating safety.

The goal of our clamping element catalog is to provide a general overview of our standard product range. More detailed information can be obtained at our homepage www.jakobantriebstechnik.de.

Highly trained engineers and technicians at our facility in Kleinwallstadt are always ready with a solution to best meet your requirements.



3D-models in STEP format are available for download at the corresponding site of our homepage. For special dimensions or different drawing types please contact JAKOB.

Telephone +49(0)6022 2208-0
www.jakobantriebstechnik.de, info@jakobantriebstechnik.de

Technical changes reserved.
Most recent data sheets available on the internet.

Please feel free to contact us about our extensive product range of servo and safety couplings, as well as protective solutions for the motor-spindles of machine tools.



Directory Clamping Elements I Overview

page

Mechanical Power Clamping Nut

1-8



**MCA/
MCG**

- /// with blind hole thread // thread protected
 - /// centered operation // compact design
 - /// optionally with star- or T-knob (MCA) // with threaded pin (MCG)
- MDA
MDR**
- /// with through hole thread // unlimited clamping stroke
 - /// for variable clamping edges

Mechanical Power Clamping Screws

9-11



SC

- /// wedge mechanism as force amplifier
- /// high clamping forces at low actuation torques
- /// maximum operating safety – self-locking mechanism
- /// simple, manual operation

Mechanical and Hydromechanical Power Clamping Screws

12-16



**MSP/
MSPD**

HSP

- /// high operating travel // maximum reliability
- /// simple handling and mounting
- /// for face plates and jaw boxes
- /// mechanical force amplifier for external clamping direction
- /// double acting version for internal and external clamping directions
- /// hydromechanical force amplifying for external clamping direction
- /// nominal clamping forces up to 750 kN // low actuation torques

Force Monitoring

17-20



**FMS
HMD**

- /// constant force monitoring
- /// increase in operational safety
- /// confirmation of proper clamping state

Hydromechanical Spring Clamping Systems

21-26



**ZSF
ZDF**

- /// spring pressure cylinder (pull)
- /// spring pressure cylinder (push)
- /// mechanical clamping // hydraulically released
- /// maximum operating safety // leak-proof and robust
- /// nominal clamping forces up to 350 kN

Sectional Rail Couplings

27-33



**PKH-P
PKH-M
PKV-P
PKP**

- /// coupling/decoupling of sectional rails
- /// vertical/horizontal versions
- /// manual or pneumatic operation
- /// available for all common rail dimensions

Clamping Technology I General

Definition:

Clamping tasks in manufacturing technology are versatile and numerous; the elements and systems supplied will gain ever greater importance in the future due to the requirements placed on short setup and manufacturing times. When selecting suitable clamping equipment, reliability, cost effectiveness, user friendliness and technical details are the most important factors. Additional aspects are increasing quality, flexibility and ergonomics demands in the work area. Mechanical clamping elements from JAKOB with multiple patented power amplification systems and hydromechanical clamping systems meet the high requirements of the user.

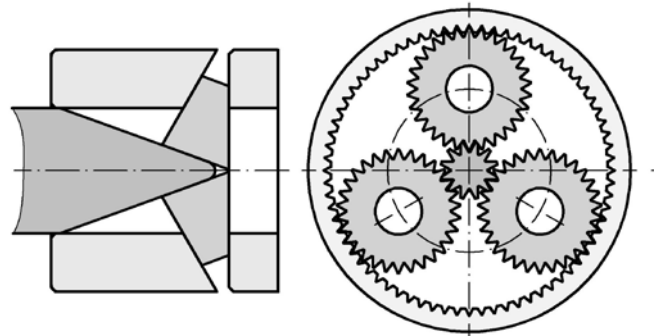
At the same time, they provide a genuine alternative to simple, mechanical clamping equipment (steel ties, brackets, etc.) along with semi- and fully-automatic clamping elements, which usually have highly elaborate energy supplies and control systems. With their low installation costs, the minimal operating and maintenance expenditures and the moderate procurement price, JAKOB clamping elements are often the most cost effective solution. Whether as original equipment or as retrofit elements, JAKOB clamping elements always hold tools and workpieces in position securely.

Characteristics:

- ✓ highest clamping forces
- ✓ low actuation torques
- ✓ large operation path
- ✓ high operational safety
- ✓ clamping force control
- ✓ easy installation
- ✓ economical clamping technology
- ✓ more humane workplace
- ✓ reduced risk of accidents
- ✓ simple & manual operation or automatic mode
- ✓ versatile application through compact and flexible design

Clamping elements with power amplification:

This group of clamping elements includes mechanical power clamping screws and power clamping nuts. They are designed for manual operation with simple handling but at the same time allow very high clamping forces. The manual actuation torque is also used for clamping force monitoring. Various clamping mechanisms such as key systems, planet gears or pressure distributors are used for power amplification. The sturdy design, the self-locking feature and a very high overload capacity ensure maximum reliability and long time life in these clamping



Hydromechanical spring tension system

The hydromechanical spring tension system is characterized especially by high reliability and low operating costs. The clamping force is actuated leakproof by a disk spring packet while the hydraulic pressure is only required for the release process. This results in highly compact, sturdy and reliable clamping elements, such as spring clamping cylinders, spring pressure cylinders, and spring clamping nuts.

mechanical
Power Clamping Nuts



Mechanical Power Clamping Nut I Series MCA/MDA/MDR

- ✓ maximum clamping forces through force amplification
- ✓ simple & manual operation – low actuation torques
- ✓ high operational safety through self-locking mechanism
- ✓ corrosion - resistant, robust, up to 400°C

The salient design feature of the MCA, MDA and MDR series is an integral transmission gear for the amplification of the manual actuation torque. With this, the user has a sturdy and flexible clamping element which allows for high clamping forces with simple manual operation and maximum operational safety.

The MCA series is designed with bottomed thread and centered hexagon, the MDA and MDR series with a through hole thread and sidewise respectively radial arranged hexagon design. The power clamping nut can be used for various clamping tasks throughout the machine tool industry, particularly for clamping in presses and punches.

Available options:

- ✓ high temperature version up to $T = 400^{\circ}\text{C}$ (e.g. forging presses)
- ✓ corrosion-resistant version for demanding ambient conditions
- ✓ with additional latch mechanism for automatic switch over to power clamping mode for fast feeding or in a lowered layout (standard in types MCA 60, MCA-T, MCA-S)
- ✓ lubrication with food grease for the food industry, laboratory area, etc.
- ✓ with additional nipple for relubrication
- ✓ torque wrench or operation tools upon request
- ✓ MDR-F version with additional disk spring pack for clamping stroke compensation

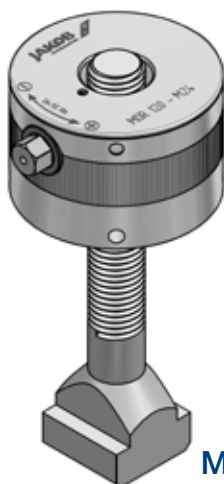
Function and handling:

After manually tightening the clamping nut up to the surface, the drive pinion is activated through a right-hand turn of the actuation hexagon SW 1 or SW 2. The gearbox ratio tightens the torque with a high multiplier and the rotation of the threaded nut produces the clamping stroke of the threaded tension bolt. The clamping force is built up depending on the actuation torque.

Self-locking is guaranteed in every clamping position. To reliably ensure the necessary clamping force on one hand and to protect the clamping mechanism from damage caused by excessive actuation torques on the other, the use of a torque wrench is recommended.

In certain circumstances, clamping with the help of normal box spanners, angle wrenches and ratchet spanners may be acceptable while the use of impact wrenches is not. Make sure that the threaded-down stud bolts are fixed; i.e. that they cannot be turned.

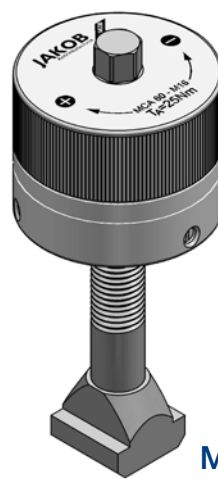
The power clamping nuts are maintenance-free under normal operating conditions. The tempered steel housing and threaded nut are corrosion-resistant through surface-nitriding.



MDR



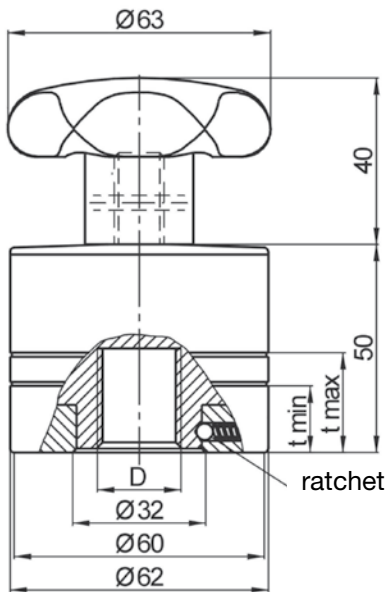
MDA



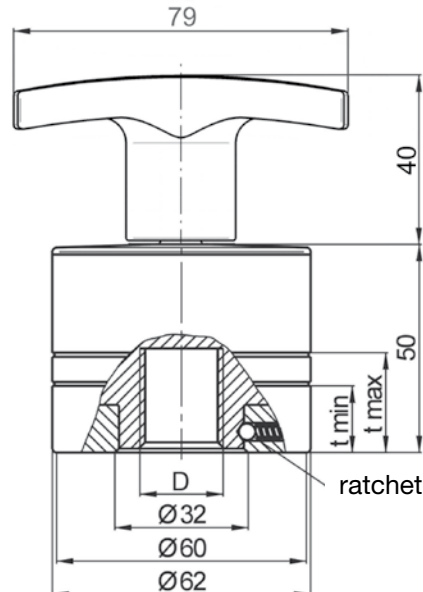
MCA

Mechanical Power Clamping Nut I Series MCA-S/MCA-T

/// simple & manual operation with handle /// fast infeed motion due to automatic changeover



clamping nut MCA-S
with star handle



clamping nut MCA-T
with T-handle



update version

material:
heat treated steel - nitro carburized
cover plate: high tensile aluminum

Technical data and dimensions [mm]:
length dimensions according to DIN ISO 2768 mH

Series	nominal clamping force [kN]	thread	max static load [kN]	screw in depth t _{min} t _{max} [mm]	weight approx. [kg]
MCA-S	40	M 10	50	16 24	1,0
		M 12	70		
MCA-T	40	M 16	120	16 24	1,0
		M 20	120		



max. allowed temperature range: -30°C up to +90°C

Note:

Property class of threaded bolt should be at least Q 10.9. Sizes of thread larger than M 16 should use a property class of Q 12.9, or the max. static load must be reduced. For optical control of actual screw-in depth of the T-bolt, two grooves are cut into the housing circumference matching t_{min} and t_{max}. When laying out the actual screw-in depth of the threaded bolt, the necessary stroke must be considered i.e. the max. specified screw-in depth must be reduced by at least the amount of the stroke.

Application example:

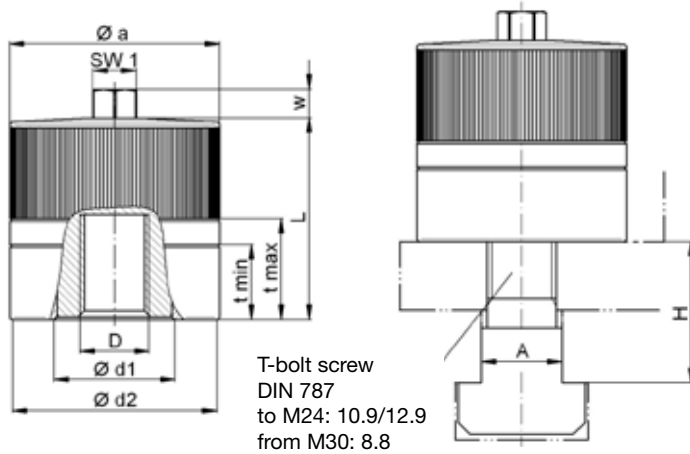
MCA-T-clamping nut for adjustment of test bench sliding table



Ordering example: MCA-S - M 16 / MCA-T - M 20

Mechanical Power Clamping Nut I Series MCA

/// with bottomed thread // thread protected // centered operation // compact design



T-bolt screw
DIN 787
to M24: 10.9/12.9
from M30: 8.8



update version

material:
heat treated steel - nitro carburized
cover plate: high tensile aluminum

Technical data and dimensions [mm]: length dimensions according to DIN ISO 2768 mH

MCA Size	nominal clamping force [kN]	thread D* (6G)	nominal actuation torque [Nm]	max. static load [kN]	T-bolt A	weight approx. [kg]	Øa	Ød1	Ød2	L	screw-in depth t		SW 1	w
											min	max		
60	60	M 12	20	70	14	0,9	62	32	60	50	16	24	13	10
		M 16	25	120	18									
		M 20	30	120	22									
100	100	M 16	35	130	18	1,8	73	42	71	70	25	35	15	10
		M 20	40	200	22									
		M 24	45	200	28									
150	150	M 24	60	300	28	2,5	83	52	81	75	30	40	17	12
		M 30	70	300	36									
		M 36	75	300	42									
200	200	M 42	80	300	48	4,9	120	82	118	80	35	45	19	12
		M 36	90	400	42									
		M 42	95	450	48									
		M 48	100	450	54									
		M 56	105	500	-									
M 64	115	500	-											

*property class of threaded bolt up to M 24 min. Q 10.9; from M 30 Q 8.8 (further thread sizes i.e. inches on request)
standard thread tolerance "6G"

Note:

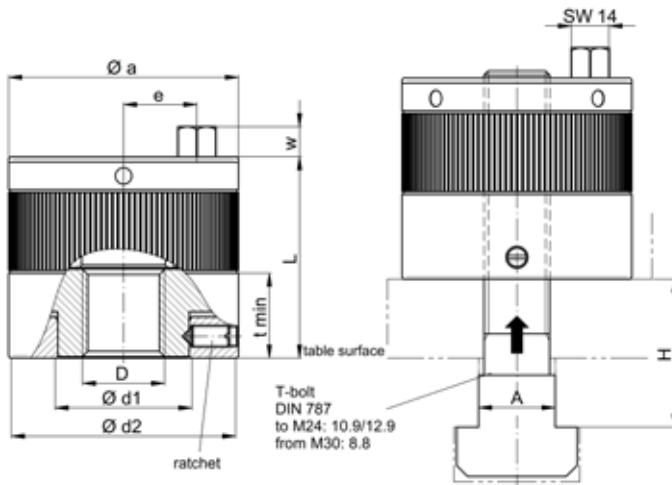
- /// For optical control of actual screw-in depth of the T-bolt, two grooves have been provided on the housing circumference matching t_{min} and t_{max} . When laying out the actual screw-in depth of the threaded bolt, the necessary stroke must be considered, i.e. the max. specified screw-in depth must be reduced at least by the amount of the stroke.
- /// The clamping forces mentioned in the data sheet can be influenced substantially by various operational parameters, such as thread length, surface quality of thread or thread lubrication.
- /// Maximum temperature range: -30°C to +200°C (optional up to +400°C)

Ordering example: clamping nut **MCA 100 - M 24**
incl. T-bolt screw **MCA 150 - M 30 - 100 - 36**

series and size _____
thread size (T-bolt screw thread according to DIN 787) _____
clamping height (H = 100 mm) _____
size of T-bolt screw (A = 36 mm) _____

Mechanical Power Clamping Nut I Series MDA

/// with through hole thread // for variable clamping edges // unlimited clamping stroke



update version

material:
heat treated steel - nitro carburized

MDA Size	nominal clamping force [kN]	thread D* (6G)	nominal actuation torque [Nm]	max. static load [kN]	T-bolt A	weight approx. [kg]	Øa	Ød1	Ød2	e	L	t	hexagon socket SW**	w
60	60	M 12	30	70	14	1,6	74	40	72	21,5	58	23	14	11
		M 16	35	120	18	1,6								
		M 20	40	120	22	1,6								
120	120	M 16	65	130	18	2,6	84	50	82	26,5	73,5	32	14	11
		M 20	70	200	22	2,6								
		M 24	75	240	28	2,5								
180	180	M 30	80	240	36	2,4	105	64	103	35	78	37	14	11
		M 24	90	300	28	4,0								
		M 30	100	300	36	3,9								
		M 42	115	450	48	3,7								
		M 48	125	450	54	3,7								

*property class of threaded bolt up to M 24 min. Q 10.9; from M 30 Q 8.8 (further thread sizes i.e. inches on request) standard thread tolerance "6G"

**optional on request with hexagon socket SW8 or Torx TX50 (w=5mm)

Note:

- /// For optical control of minimum screw-in depth "t min" of the T-bolt, a groove has been provided on the housing circumference matching t_{min}.
- /// Supply including t-bolt on request (see ordering example).
- /// The clamping forces mentioned in the data sheet can be influenced substantially by various operational parameters, such as thread length, surface quality of thread or thread lubrication.
- /// Maximum temperature range: -30°C to +200°C (optional up to +400°C).

Application example: Clamping nut MDA for clamping chain wheels during milling.

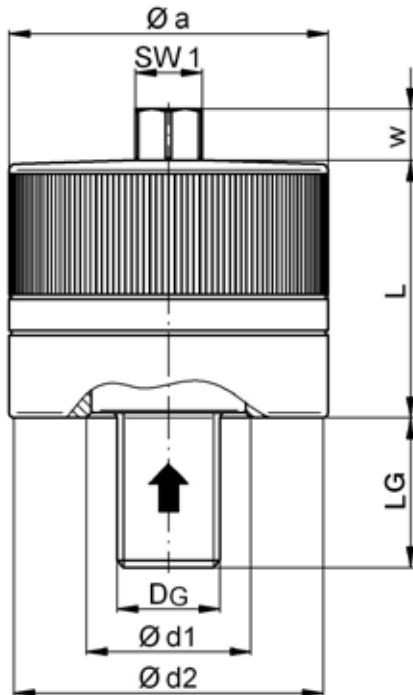
Ordering example: clamping nut MDA 120 - M 24
incl. T-bolt MDA 180 - M 30 - 100 - 36

series and size _____
thread size (T-bolt screw thread according to DIN 787) _____
clamping height (H = 100 mm) _____
size of T-bolt (A = 36 mm) _____



Mechanical Power Clamping Nut I Series MCG

with threaded pin / function as power clamping screw / centered operation / compact design



update version

property class of threaded pin minimum 10.9

material:
stainless steel - nitrated

Technical data and dimensions [mm]: length dimensions according to DIN ISO 2768 mH

MCG Size	nominal clamping force [kN]	thread DG*	nominal actuation torque [Nm]	max. static load [kN]	weight approx. [kg]	Øa	Ød1	Ød2	L	SW 1	w
60	60	M 12	20	70	1	62	32	60	50	13	10
		M 16	25	120							
		M 20	30	120							
100	100	M 16	35	130	2	73	42	71	70	15	10
		M 20	40	200							
		M 24	45	200							
150	150	M 30	50	200	3	83	52	81	75	17	12
		M 24	60	300							
		M 30	70	300							
200	200	M 36	75	300	6	120	82	118	80	19	12
		M 42	80	300							
		M 36	120	400							
		M 42	125	450							
		M 48	130	450							
		M 56	140	500							
		M 64	150	500							

length of threaded pin L_G = variable (according to customer information)

*further thread sizes i.e. inches on request

max. allowed temperature range: -30°C up to +200°C

Ordering example:

clamping nut

MCG 100 - M 24 - $L_G=120$

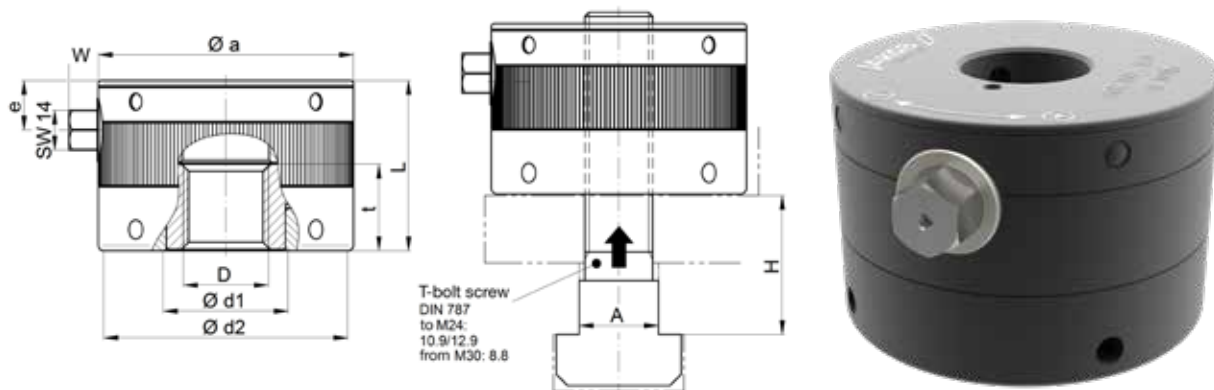
series and size (max. clamping force = 100 kN)

thread size

thread length

Mechanical Power Clamping Nut I Series MDR / MDR-F

Series MDR // side operation // low profile // with through-hole thread



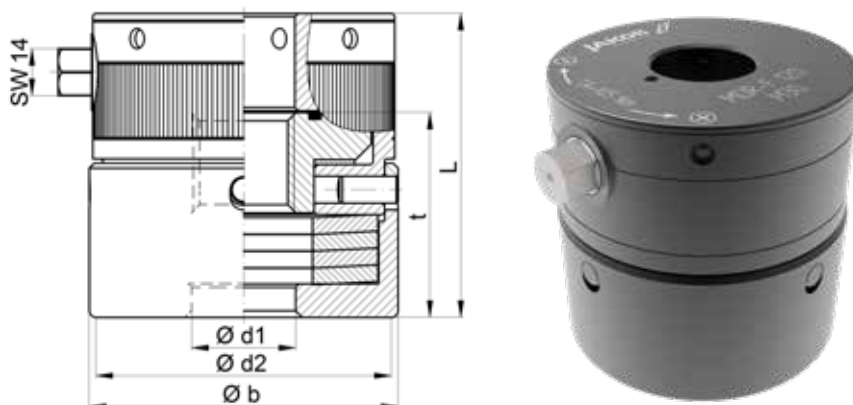
Technical data and dimensions [mm]: length dimensions according to DIN ISO 2768 mH

MDR Size	nominal clamping force [kN]	thread D* (6G)	max. actuation torque [Nm]	T-Nut A	max. static load [kN]	weight approx. [kg]	Øa	Ød1	Ød2	e	L	t
120	120	M 16	65	18	130	2,2	90	44	86	17,5	60	30
		M 20	90	22	200							
		M 24	95	28	240							
		M 30	105	36	240							

*property class of threaded bolt up to M24 min. Q 10.9; from M30 Q 8.8 (further thread sizes i.e. inches on request)
 standard thread tolerance „6G“
 max. allowed temperature range: -30°C up to +200°C

Series MDR - F

// with disk spring package // higher operational safety through clamping stroke compensation



Technical data and dimensions [mm]: length dimensions according to DIN ISO 2768 mH

MDR-F Size	nominal clamping force [kN]	technical data analogous to MDR	spring clamping stroke at F_N [mm]	weight approx. [kg]	Ø b	Ø d1	Ø d2	L	t	W
120	120	see above	1,0	3,6	92	35	88	90	61	10

ordering example: clamping nut MDR 120 - M 30 incl. t-bolt screw clamping nut MDR-F 120 - M24 MDR 120 - M 30 - 100 - 36

Videolinks | Clamping Elements

Here you can find videos of some of the products of the JAKOB clamping elements range from our Video channel. Scan the QR code with a suitable app to get directly to the respective video. These and other videos can also be found on our website.



Youtube -
Channel of JAKOB
Antriebstechnik GmbH



Foto: Talsabell CA

Power Clamping Nut MCA



Power Clamping Screw SC



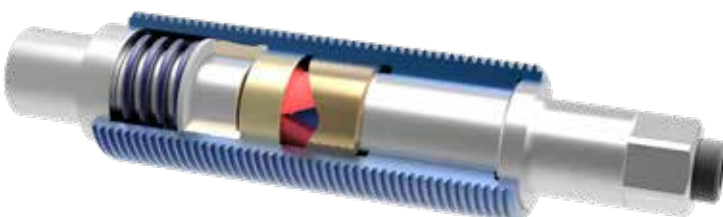
Power Clamping Nut MDA



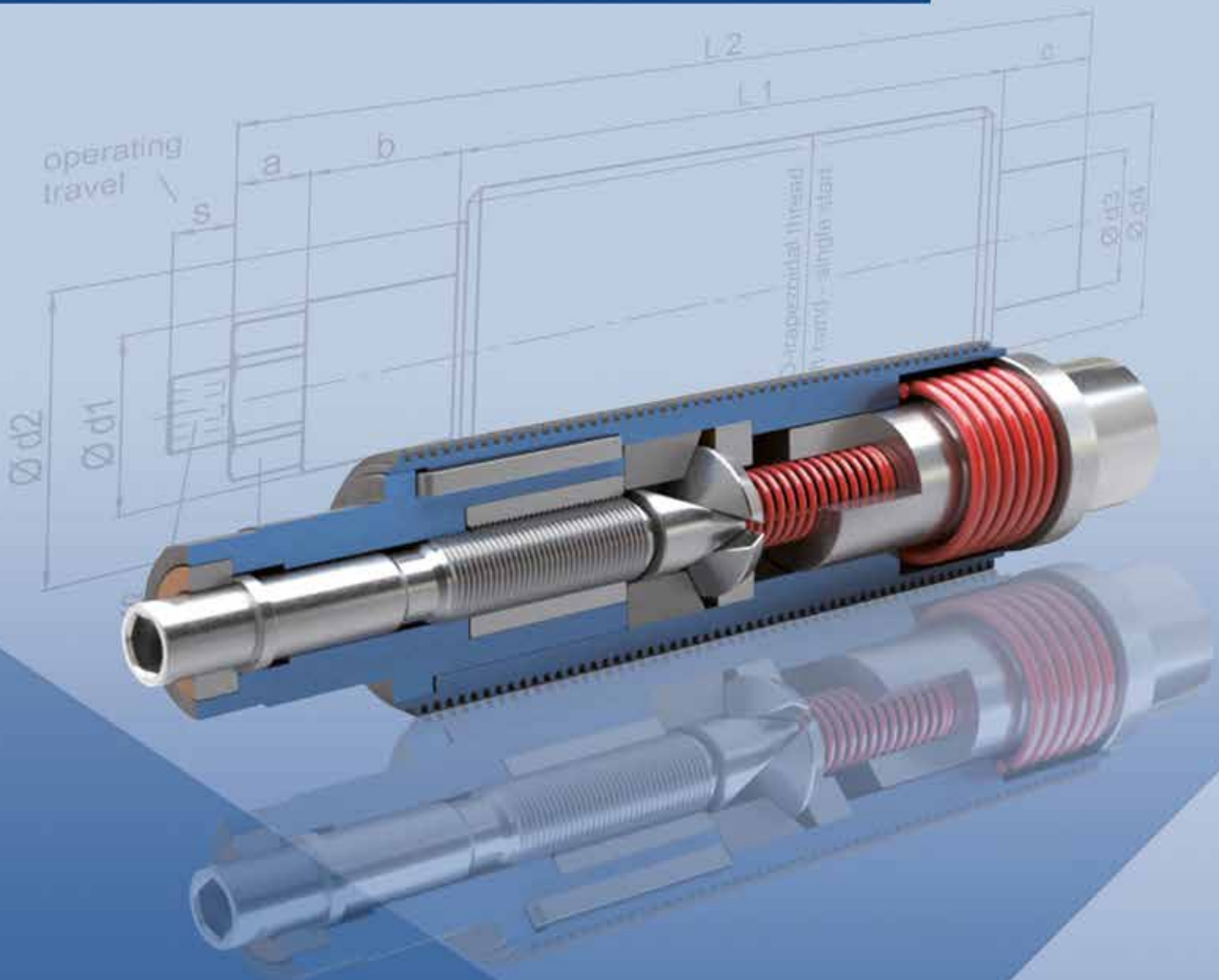
Force Monitoring System FMS



Power Clamping Screw MSP/MSPD



Power Clamping Screws



Mechanical Power Clamping Screw I Series SC

- /// wedge mechanism as force amplifier
- /// high clamping forces
- /// maximum operational safety
- /// low actuation torque
- /// simple & manual operation

The power clamping screws of the SC series are equipped with a wedge system as force amplifier. This innovative system allows for highest clamping forces with low actuation torques and simple manual operation. The robust design of all parts, the self-locking mechanism as well as a high overload capability guarantee maximum operational safety. The clamping screws of the SC series have various application possibilities, mainly in presses, punches and machine tools, as well as in jigs, fixtures and similar devices.

Function:

The wedge clamping system of the SC clamping screw is self-locking in each clamping position due to its geometry and offers a clamping stroke of up to 3 mm. This way, depending on the actuation torque, very high clamping forces up to the nominal clamping force can be achieved.

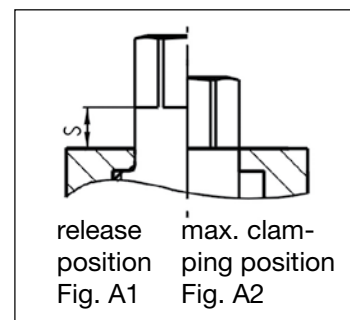
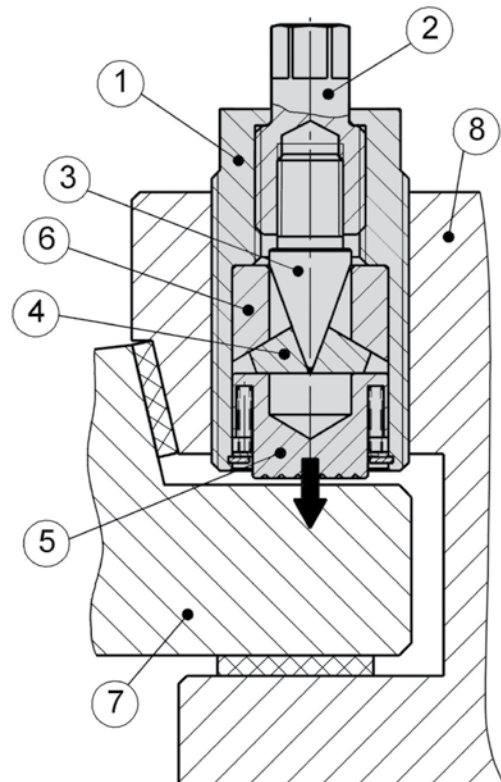
Clamping procedure:

The infeed of the clamping screw down to a solid contact with the part to be clamped (7) is the first step, done by manually turning the housing (1) clockwise. Only then, the hexagon of the actuation spindle (2) should be turned clockwise, thus moving the forced-in key (3) in axial direction and pressing the wedge parts (4) in radial direction. The latter motion results in the axial stroke of the thrust piece (5) against the workpiece (7). The clamping force is led over the wedge bearing (6) through the housing (1) into the clamping device (8).

After approximately two turns of the actuation hexagon the travel of the thrust piece will be blocked by an internal fixed stop and the torque wrench will disengage although the required clamping force has not been generated; the clamping operation has to be repeated. The clamping stroke state is indicated by the operating path "s". The maximum clamping position is reached when the lower cylindrical portion of the actuation hexagon is even with the top of the housing (Fig. A2).

Release:

The release procedure is carried out in reverse order. By turning the operating hexagon to the left up to the fixed back stop (Fig. A1), the wedge slide moves back and the clamping mechanism is released. Coil springs push the pressure piece and the wedges back into the starting position.



Mechanical Power Clamping Screw I Series SC

Technical data and dimensions [mm]: length dimensions according to DIN ISO 2768 mH

SC Size	nominal clamping force [kN]	max. actuation torque [Nm]	max. clamping stroke [mm]	max. static load [kN]	operating path s [mm]	mass approx. [kg]	thread D* (6G)	Ø d	L1	L	SW 1	SW 2
36	40	30	1,5	80	5	0,5	M 36 x 3	19	62	73	13	30
48	80	70	2,2	160	7,5	1,1	M 48 x 3	28	75	90	17	41
64	140	120	2,5	240	8,5	2,5	M 64 x 4	39	90	110	19	55
80	180	140	2,5	320	8,5	5,3	M 80 x 4	39	100	160	19	65
100	250	130	3	400	17	12	TR 100 x 6	60	205	230	14**	65

*further sizes and threads (inch thread) available on request

allowed temperature range: -40°C up to +250°C

**hexagon socket - operating pin length: s = 17 mm



update version

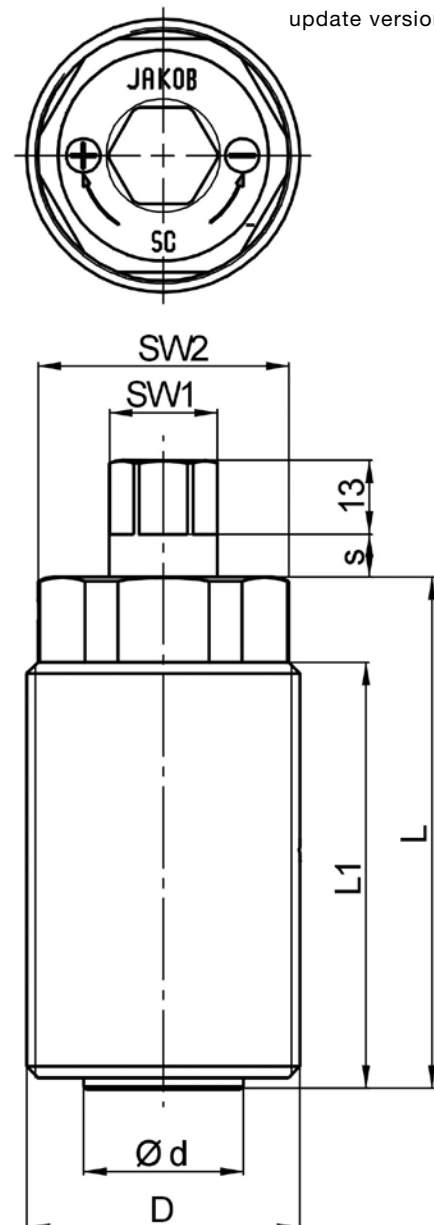
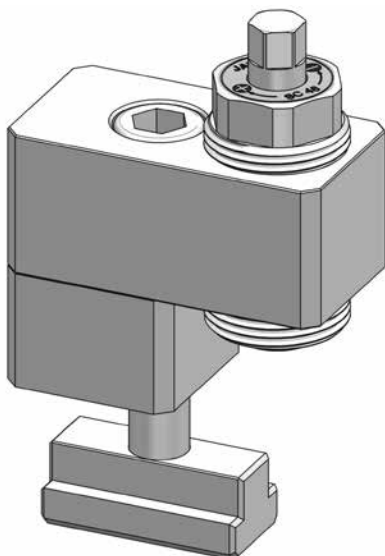
Note:

- to ensure the required clamping force is achieved and to protect the internal mechanism from damage, we recommend the use of a torque wrench for applying the actuation torque. Under certain conditions, clamping is also acceptable with a standard wrench or socket wrench.
- the clamping screws are lubricated for life and maintenance free under normal operating conditions. A high temperature version of up to 400°C is possible.

material:

heat treated steel - nitro carburized

Application example: slide-in-clamp

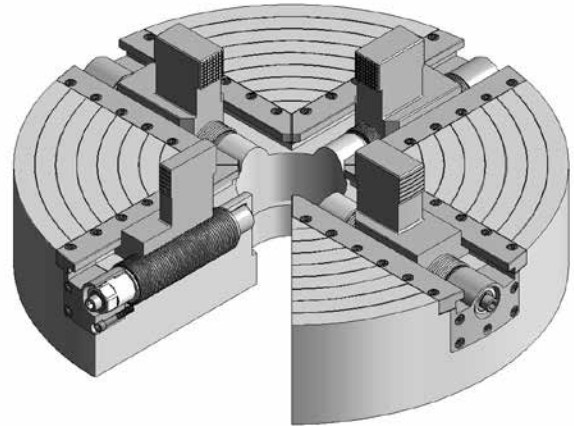


Power Clamping Screws I Series MSP/MSPD-HSP

For face plates and surface plates on jaw boxes as well as grinding and turning machines and special machines

JAKOB power clamping screws have been developed for the highest demands and maximum workpiece weights with optimum operational safety. They are primarily suited for integration in jaw boxes or for direct installation in face plates of lathes, grinding and special machines. Diverse clamping screw series with different constructions and profile requirements are available. The user can choose between hydraulic or mechanical and single or double actuating designs.

All parts are made of heat-treated steel and produced with high precision. This guarantees a clamping element with highest sturdiness and reliability.



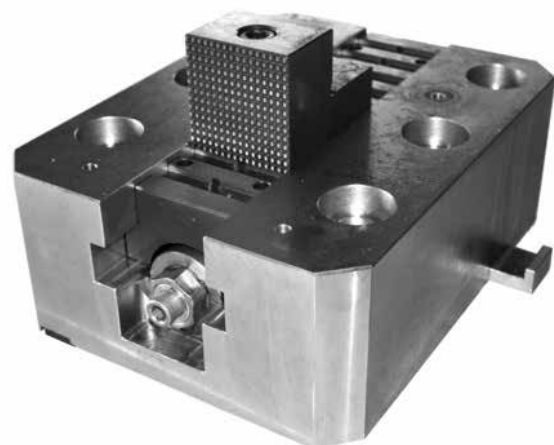
Essential features of performance:

- /// enormous clamping force // low actuation torque
- /// maximum reliability // high stiffness
- /// large clamping stroke // high alignment accuracy
- /// simple & manual operation
- /// minimum maintenance

Application examples:



Face plate for turning center with 8 power clamping screws type MSP 200 for clamping of turbine rotors up to 350 metric tons total weight



Double actuating power clamping screw series MSPD 80 for clamping direction internal and external integrated in jaw box

Power Clamping Screws I Series MSP/MSPD-HSP

Mechanical Power Clamping Screw Series MSP / MSPD

The force transmission in the mechanical power clamping screws is generated by a special mechanical key clamping system. The sophisticated geometry of the key mechanics have very large transmission surfaces and a self-locking mechanism to ensure low wear and the highest reliability. Especially worth mentioning is the double-acting version, series MSPD, with a simple automatic reverser to change clamping direction from external to internal clamping. Furthermore, its simple, manual operation and low installation cost are relevant. When taking the main technical and economic assessment criteria into consideration, the MSP/MSPD series can be recommended as the ideal version for most applications.

Hydromechanical Power Clamping Screw Series HSP

The hydromechanical power clamping screw's operating principle is based on power amplification, resulting from the area ratio of a primary and secondary piston. In the distinctly smaller primary piston, an internal oil pressure of up to 600 bar is generated and at the same time a long stroke distance is travelled. The secondary piston, with its larger effective area with smaller clamping stroke produces an extremely large axial force, which is transmitted through the external thread to the piston housing on the clamping shoe. HSP power clamping screws are only provided for external clamping direction. They excel with their long clamping strokes and low actuation torques. However, due to the necessary, mechanical safeguard (counter ring), significantly higher expenses are to be expected.

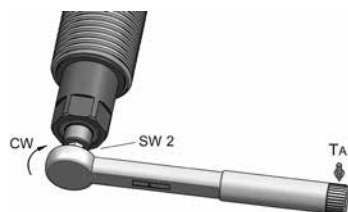
Note:

- ✓ during calculation of installation length L1 bearing rings or axial washers must be taken into account
- ✓ basically, except the fitting position L1, the thread of the screw housing or the dimensions of the bearing pin can be customised to fit customer needs. That might be necessary, especially when replacing defective older model clamping screws and when retrofitting machine tools. Please get in touch with us if you have variances from standard dimensions.
- ✓ clamping force monitoring can be integrated using our additionally available Force Monitoring System (FMS). See page 22 for more information
- ✓ operating tools as well as hydraulic load cells for force monitoring available upon request

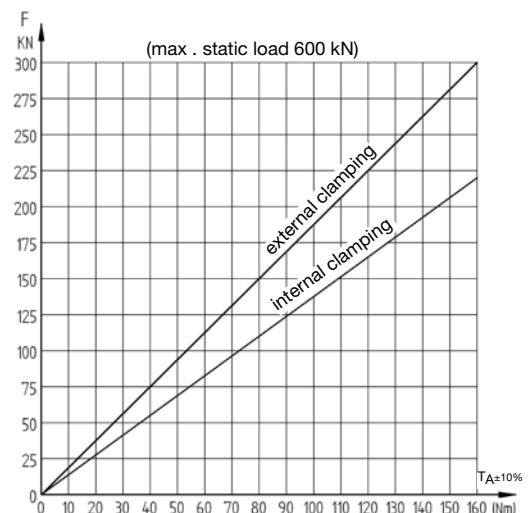
Clamping Force Diagram

Each clamping screw is supplied with a clamping force diagram and a test report.

On request, the appropriate clamping force diagram can be supplied on an aluminum plate for fitting to the machine, as available information for the operating personnel. Due to friction loss in the clamping jaws or linear guides, the table or diagram values for the actuation torque must be corrected. The appropriate factor must be determined, if necessary, by the face plate or jaw box manufacturers either empirically or based on trials and tests.



Clamping force diagram "MSPD 120"

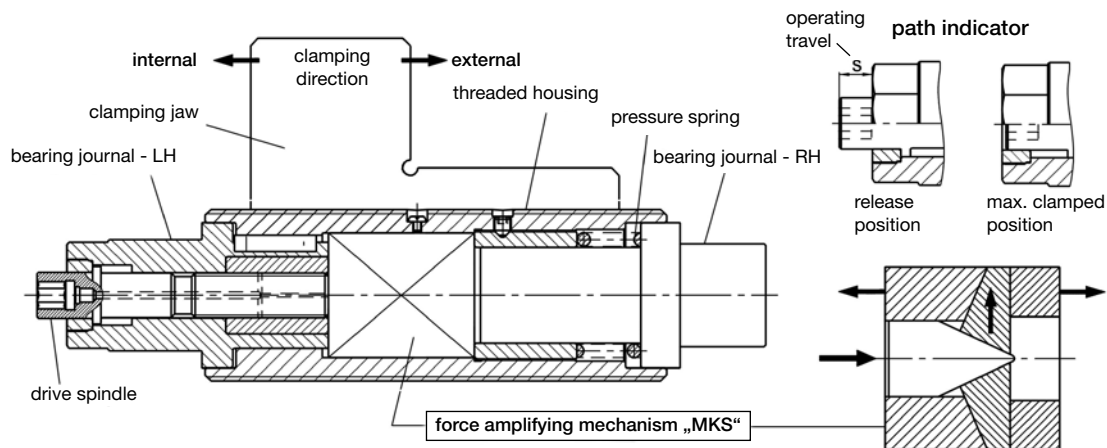


Mechanical Power Clamping Screws I Series MSP/MSPD

Design and function

The single acting Mechanical Power Clamping Screws of the MSP series have been developed for external clamping only, whereas the double acting ones of the MSPD series are designed for external (shafts, rollers) as well as internal clamping (pipes, bushes). These mechanical power clamping screws are equipped with a wedge mechanic system as force amplifier. The double acting version is equipped with an automatic mechanism to change clamping direction. This system generates high clamping forces with a simple operating procedure requiring low manual actuation torque. The state of the art wedge mechanic system is extremely robust and self-locking in every clamping stage. The high stiffness achieved thus also increases operational safety. No additional mechanical safety devices or supports are required for supporting the threaded power clamping screws.

The force amplification mechanic is activated through rotation of the drive spindle, which presses the threaded spindle and jaw against the workpiece. Clamping force is generated according to actuation torque. By changing the load direction from "external" to "internal", the clamping direction within the force magnifier automatically changes without the need to undertake an additional reversal of the clamping direction by hand. Correspondingly, the clamping forces are passed on further; depending on the direction of clamping into the left bearing journal (LH) during external clamping, or in the right bearing journal (RH) during internal clamping. The reverse motion of the force amplifier and threaded power clamping screw is compensated by a compression spring which also functions as a return spring during unclamping.



Operation:

External clamping

The clamping jaw is prealigned and pretensioned by turning the external hexagon SW1 clockwise. A torque wrench should be used for force clamping and fine adjustment. By turning the internal hexagon SW2 clockwise, the drive spindle's force amplification is activated and clamping force is generated proportionally to the actuation torque until the torque wrench disengages upon reaching the preselected torque (see clamping force diagram). The clamping stroke can be controlled via an operating path indicator. The clamping procedure has to be repeated by loosening SW2 and pretensioning SW1 if the preselected starting torque has not been reached at the end of the operating path. Avoid exceeding the maximum actuating torque as it may cause damage.

Internal clamping

The clamping jaw approaches the workpiece is prealigned and pretensioned by turning the external hexagon SW1 counter-clockwise. This automatically changes the clamping direction to internal clamping. For this changeover the threaded housing of the power clamping screw with the jaw is maintained in a preloaded state and then subjected to an axial motion in reverse direction, i.e. the external hexagon SW1 should be turned by approx. one turn extra. The power clamping with internal hexagon SW2 is then done in a similar manner as the external clamping procedure.

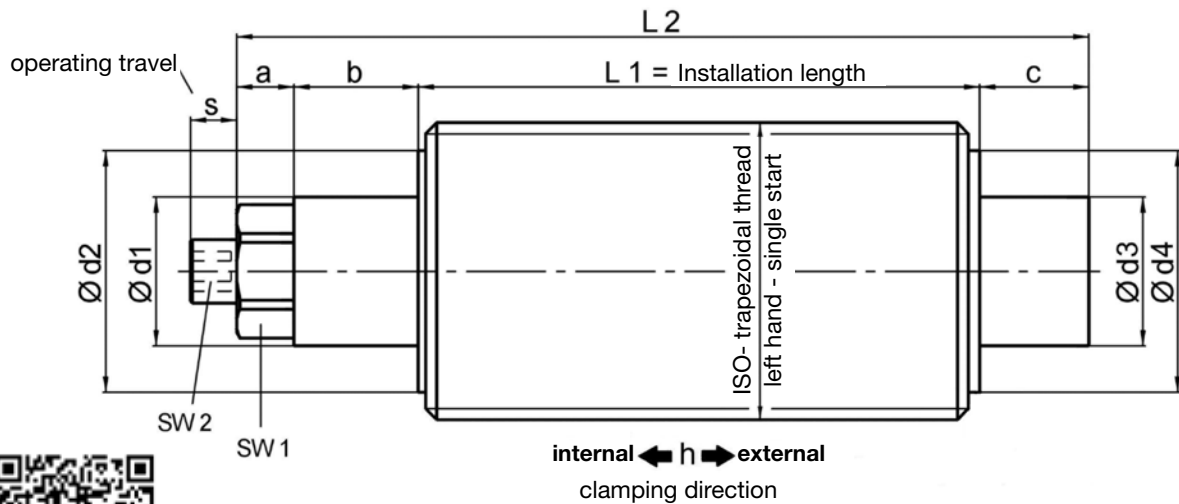
Release

Release is effected in reverse order by turning the internal hexagon SW2 counter-clockwise until the fixed stop. The drive spindle is reversed and the clamping system unclamped. The return spring pushes the threaded spindle with clamping jaw back, the force amplifier returns to its initial position.

Mechanical Power Clamping Screws | Series MSP/MSPD

Series MSP - Mechanical Power Clamping Screw for clamping direction “external”

Series MSPD - Mechanical Power Clamping Screw for clamping directions “internal and external”



update version

material:

heat treated steel - nitro carburized

Technical data and dimensions [mm]: length dimensions according to DIN ISO 2768 mH

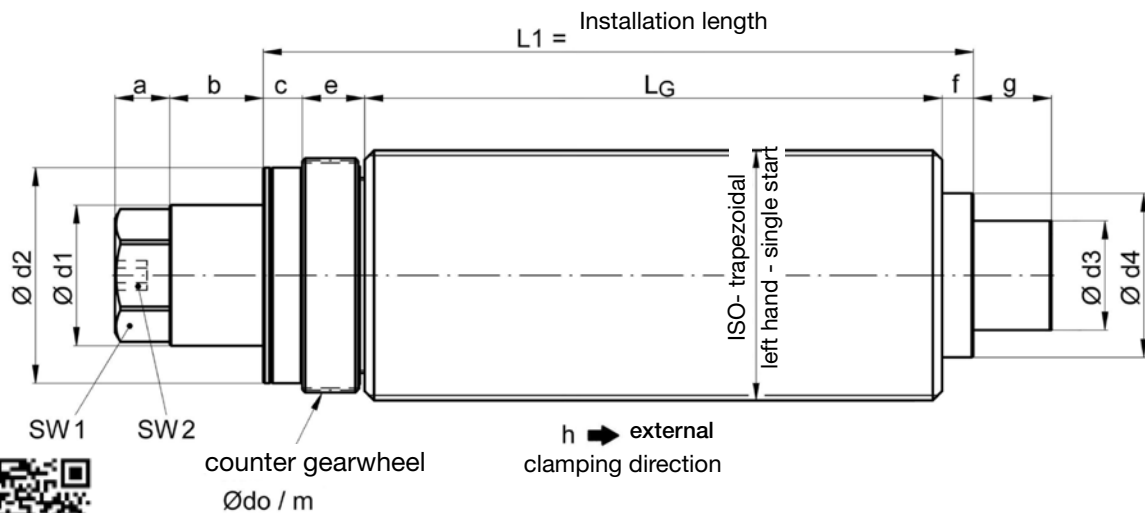
MSP/MSPD	Size	50	65	80	100	120	160	200
ISO-trapezoidal thread	TR-left	50x3	65x4	80x5	100x6	120x6	160x8	200x10
nominal clamping force [kN]	external	100	150	200	250	300	400	500
	internal	70	100	140	180	220	300	400
nominal actuation torque [Nm]		60	70	100	130	160	160	180
max. static load [kN]		150	250	300	400	600	800	1200
stroke h [mm]		2	2,5	3	3	3	3	3
operating travel s [mm]		7,5	15	17	17	17	25	27
hexagon	external SW 1	27	41	46	50	55	65	85
	internal SW 2	10	12	14	14	17	17	17
a		20	20	20	25	25	30	40
b / c		30	35	40	50	60	70	80
Ø d1/d3 f7		30	45/40	50	60	65	80	100
Ø d2/d4		40	55/52	68	85	95	130	160
MSPD - L1 min.		150	170	230	250	280	330	360
MSPD - L2 min.		230	260	330	375	425	500	560
MSP - L1 min.		140	150	210	220	250	290	320
MSP - L2 min.		220	240	310	345	395	460	520

Note: // special thread sizes or customized dimensions are possible upon request

// sizes 120 / 160 / 200 are also available with more powerful clamping force amplifier

Ordering example: MSPD 100 - TR 100 x 6 - LH - L1 = 300 mm

Hydromechanical Power Clamping Screws I Series HSP



material:
update version heat treated steel nitro carburized

Technical data and dimensions [mm]: length dimensions according to DIN ISO 2768 mH

HSP	size	80	100	120	160	200	220
ISO-trapezoidal thread	left	TR 80x5	TR 100x6	TR 120x6	TR 160x8	TR 200x10	TR220x10
nominal clamping force	[kN]	100	150	220	400	600	750
nominal actuation torque	[Nm]	60	70	80	150	150	140
max. static load	[kN]	200	300	400	700	1000	1200
stroke h	[mm]	3	3	5	6	6	8
operating path s	[mm]	16	19	-	-	-	-
hexagon	external SW 1	46	50	65	75	85	100
	internal SW 2	12	14	17	17	17	17
a		20	25	30	35	40	45
b		30	40	50	60	70	70
c		13	15	20	25	30	30
$\varnothing do$		71,5	90	108	146	184	201
module m		1,25	1,5	1,5	2	2	3
$\varnothing d1 f7$		50	60	75	90	100	120
$\varnothing d2$		68	85	100	140	165	180
$\varnothing d3 f7$		40	50	60	70	80	100
$\varnothing d4$		60	80	90	105	135	150
e		22	25	30	40	45	45
f		15	15	15	20	20	20
g		30	35	40	50	55	60
LG min.		140	145	215	230	300	455
L1 min.		190	200	280	315	395	550

- Note:
- after completion of the clamping procedure the clamping screw should be secured against overload by means of a mechanical safety device (counter gearwheel), which as well helps to achieve a high degree of stiffness
 - special thread sizes or customized dimensions as well as different toothing of counter gearwheel or series with higher clamping force are available on request
 - the pinion shaft for driving the counter gearwheel is not supplied

Ordering example: HSP 100 - TR 100 x 6 - lh - L1 = 300 mm

Force Monitoring



FMS - Force Monitoring System

The holding force of a clamping device during mechanical tooling is of special importance. It is relevant for tooling quality, but also for the safety of the operator, the workpiece and the machine tool. Especially during the tooling of bigger components with multi-day clamping and numerous shift changes, the monitoring of clamping forces via constant data transfer is safety-relevant. All currently available monitoring systems, no matter whether dynamic or static, cannot capture readings of the actual clamping situation.

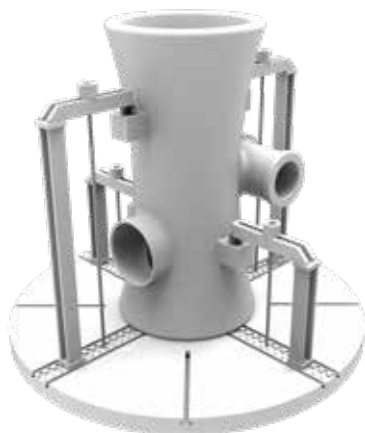
With the intelligent clamping jaw FMS from JAKOB the customer receives a reliable and easy-to-use monitoring system, that constantly transmits the current clamping forces of all jaws telemetrically. The readings can be transmitted to a mobile device, to a laptop or directly to machine control.

If the clamping force during tooling sinks below a threshold set by the customer, a signal is generated immediately, which can be used for a shutdown by machine control.

FMS PAD



The FMS PAD can be used for large-scale machining between the clamping element and the workpiece.

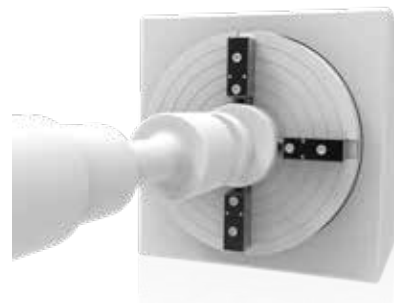


machining of large parts

FMS JAW XXL



The FMS JAW XXL offers a force monitoring system integrated into the clamping claw.



turning of big parts

FMS - Force Monitoring System

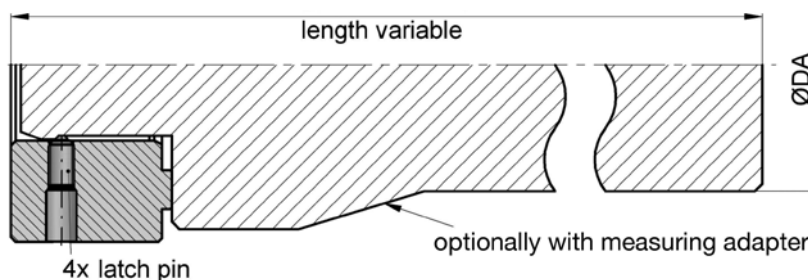
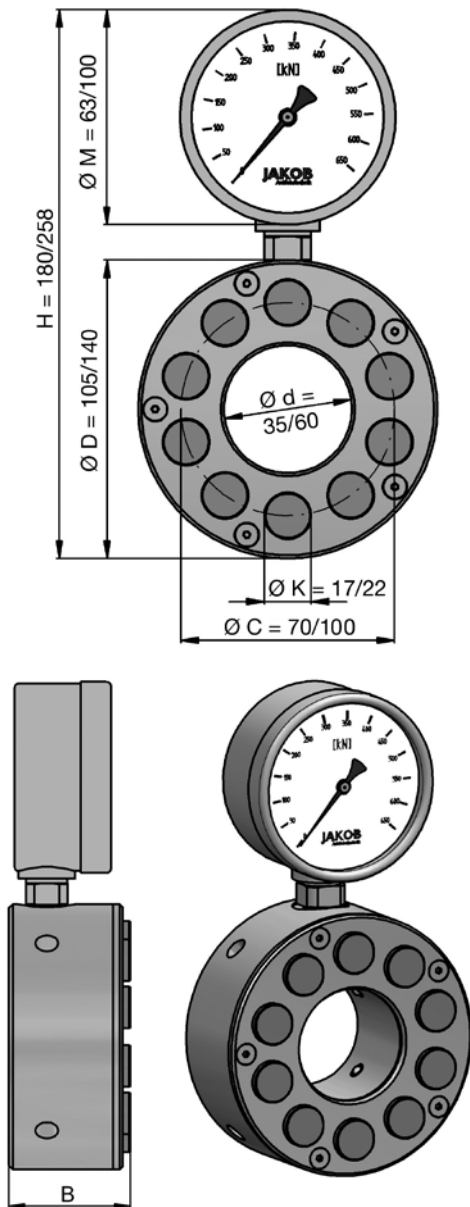
Functions of the monitoring system:

- ▄ robust strain gauge load cell measures the clamping force with high accuracy
- ▄ clamping force readings are sent to an evaluation and sending unit
- ▄ readings are sent to a mobile device, computer or machine control wirelessly (Bluetooth)



HMD - Hydraulic Force Measuring System

type-size	HMD 300-R	HMD 600-R
measuring range	0 - 300 kN	0 - 600 kN
scale graduation	10 kN	10 kN
accuracy [T=20°C]	1,6%	1,0%
mass	3,5 kg	6,2 kg
temperature range	-10°C - +60°C	
protection class	IP 65	
maximum piston stroke	1mm	



General:

Hydraulic load cells of the HMD series are robust indicators that calculate axial compressive forces with median accuracy. The force is transferred analogously over pressure pistons and the hydraulic fluid to a manometer with a kN-indicator scale. The measuring system is autarkic, so there is no need of external or additional energy. Therefore static and dynamic forces can be detected in numerous applications of the entirety of mechanical engineering in an easy and economically priced way.

System design - function:

The load cells are designed on the basis of the multi-piston-system. The compressive forces are transferred over several small pistons to the hydraulic fluid. In the series HMD-R which is in ring forms the pistons are arranged concentrically. The innovative principle allows the realization of load cells in every geometric configuration. The floating piston-overlay compensates construction and angle mistakes in a considerable dimension. High shearing forces should be avoided. Special piston seals guarantee an enduring and hermetic sealing of the fluid medium.

Note:

During measurement, ensure, that all pistons are pending the measuring surface with the complete pressure load area.

To ensure a flawless measuring function, the manometer-connection and the lock or fill screw should not be removed. Load cells are useless for measuring strong pulsating forces or high accelerations.

The inner diameter of the ring load cells is primed for the insertion of measuring adapter pieces using four ball latch pins. Customized adapter types are available on request (see example of use).

Spring Clamping Cylinders



Hydromechanical Spring Clamping Systems I Series ZSF/ZDF

- /// mechanical clamping - hydraulic releasing
- /// high operational safety
- /// leak-proof and robust
- /// economical clamping solution

General

Hydromechanical spring clamping systems work through interaction of mechanical and hydraulic systems. The clamping force is applied mechanically through a pre-loaded disk spring packet.

The two types are provided as spring clamping or spring pressure cylinders. The hydraulic pressure is only required for the release stroke during which the tie rod or thrust pin is lifted. This system guarantees the greatest reliability because the clamping force is maintained fully independent of the oil pressure or leak-losses. With the hydraulic unit's short operating times, this system is also cost-effective. The spring clamping cylinders of the ZSF and ZDF series provide sturdy and reliable clamping elements that can be used wherever sliding and movable machine parts need to be clamped or locked temporarily. Other applications are fixture construction and workpiece or tool clamping.

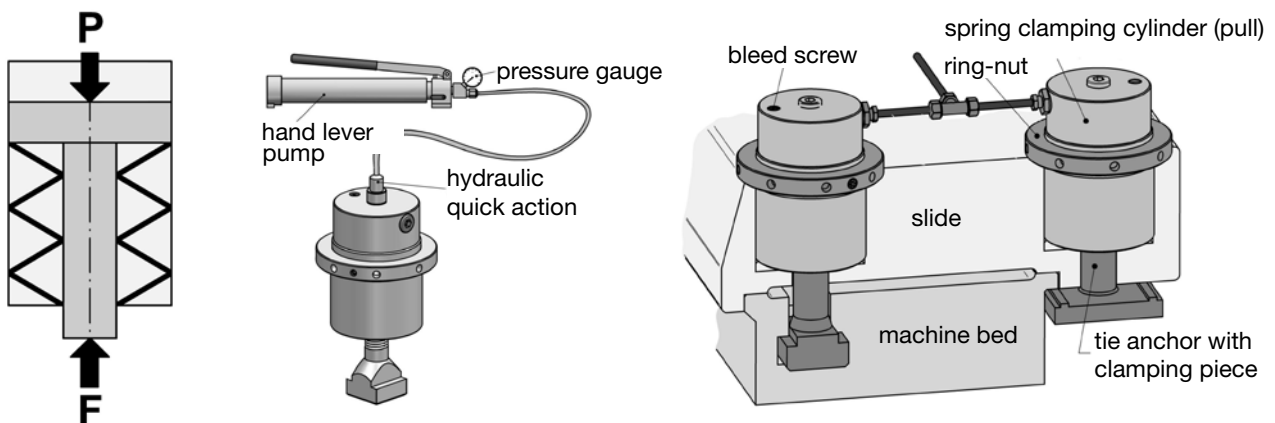
Operational principle

The thrust or draw piston is pressurised reciprocally by the disk spring packet or hydraulic pressure. The spring packet is compressed with increasing oil pressure; the spring force increases. Under pressure, the corresponding nominal clamping force is reached as a reaction force of the disk spring packet. To release the thrust or draw piston, a higher hydraulic pressure is required, which, up to a maximum value, is proportional to the release stroke. The setting pressure is required only for precise force adjustment during initial installation. During the actual operating cycle, the cylinders are either pressureless or at release pressure. The corresponding pressure values can be seen in the spreadsheet.

In ZSF series spring clamping cylinders, a mandrel or a tie rod is threaded down and secured in the draw piston's thread hole (available on request as single piece or with special thread). The draw piston is protected against incorrect installation with a pin connection.

Assembly and adjustment

- /// to operate, a hydraulic unit is needed which should be equipped with a manometer, a pressure cut-off valve, a solenoid valve and a pressure switch unit
- /// fill the cylinders and lines at low pressure and bleed (cylinders are supplied unfilled)
- /// increase system pressure to the set pressure and maintain; align cylinder using the ring guide nut (ZSF), setscrews (ZDF-u) or fitting discs (ZDF-o) until the thrust piston or the clamp is free from play; fasten thrust piston with screws or secure the ring guide nut on the clamping cylinder
- /// release system pressure; set release pressure for the required release stroke; check the release stroke and adjust if necessary



Note: If automatic clamping operation is not required, the temporary, manual hydraulic connection to a manually operated piston pump with a pressure gauge provides a cost effective alternative (see fig. at left).

Spring Clamping Cylinder I Series ZSF

Technical data:

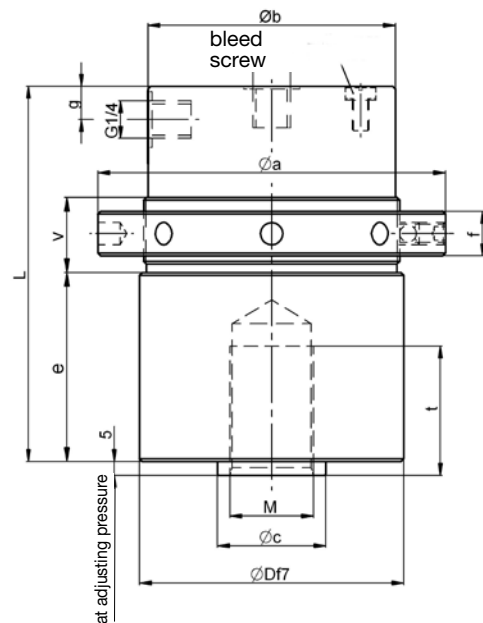
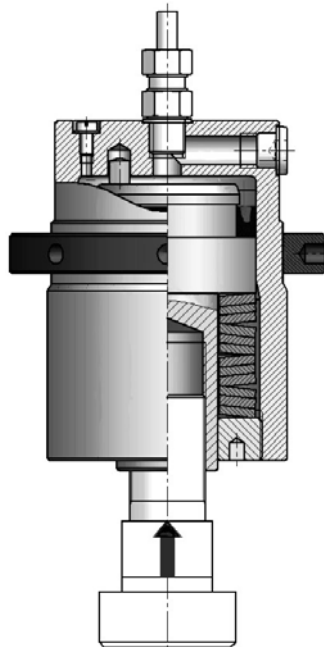
ZSF Size	nominal clamping force [kN]	adjusting pressure [bar]	max release stroke [mm]	release pressure at 0,5 mm stroke [bar]	release pressure at 1,0 mm stroke [bar]	release pressure at max stroke [bar]	stroke volume at 1 mm stroke [cm ³]	mass approx. [kg]
1.600	16	135	2,0	170	210	290	1,3	2,0
2.500	25	135	1,6	160	185	230	2,0	3,0
4.000	40	150	2,0	170	190	240	2,8	4,5
6.300	63	175	1,5	190	210	235	3,8	6,8
10.000	100	210	1,5	250	280	320	5,0	8,5
16.000	160	210	1,2	240	275	295	7,9	21
20.000	200	210	1,2	240	270	290	11,3	26,5
25.000	250	190	1,6	210	235	260	14,3	41
35.000	350	190	1,0	210	230	230	20,1	60

temperature range: -30°C up to +100°C – mounting position: discretionary



update version

material:
heat-treated steel, burnished



Dimensions [mm]: length dimensions according to DIN ISO 2768 mH

ZSF Size	Ø D f7	"Version-2" Ø D f7	Ø a	Ø b	Ø c	e	f	g	L	M*	t	v	adjustment thread - ring nut
1.600	60	55	85	55	20	40	14	12	101	M 14 x 1,5	24	22	M 58 x 1,5
2.500	70	65	95	65	25	46	14	13	111	M 18 x 1,5	30	23	M 68 x 1,5
4.000	80	75	110	75	30	56	16	12	125	M 22 x 1,5	36	24	M 78 x 1,5
6.300	95	85	125	89	40	67	16	12	135	M 30 x 1,5	48	28	M 92 x 1,5
10.000	105	95	140	100	40	78	16	18,5	150	M 30 x 1,5	50	35	M 102 x 1,5
16.000	142	130	180	137	50	75	32	22	170	M 38 x 1,5	50	50	M 140 x 2
20.000	150	-	190	143	57	92	40	22	200	M 45 x 1,5	60	58	M 148 x 3
25.000	170	-	220	163	70	100	40	22	230	M 45 x 1,5	60	58	M 168 x 3
35.000	200	-	250	192	80	100	45	47	240	M 52 x 1,5	70	65	M 198 x 3

Note Version-2: Sizes 1.600 to 10.000 are available alternatively with smaller external diameter "D" cylinder housing according to column "-2". Other thread sizes or through holes available on request.

*Alternative threaded version available on request

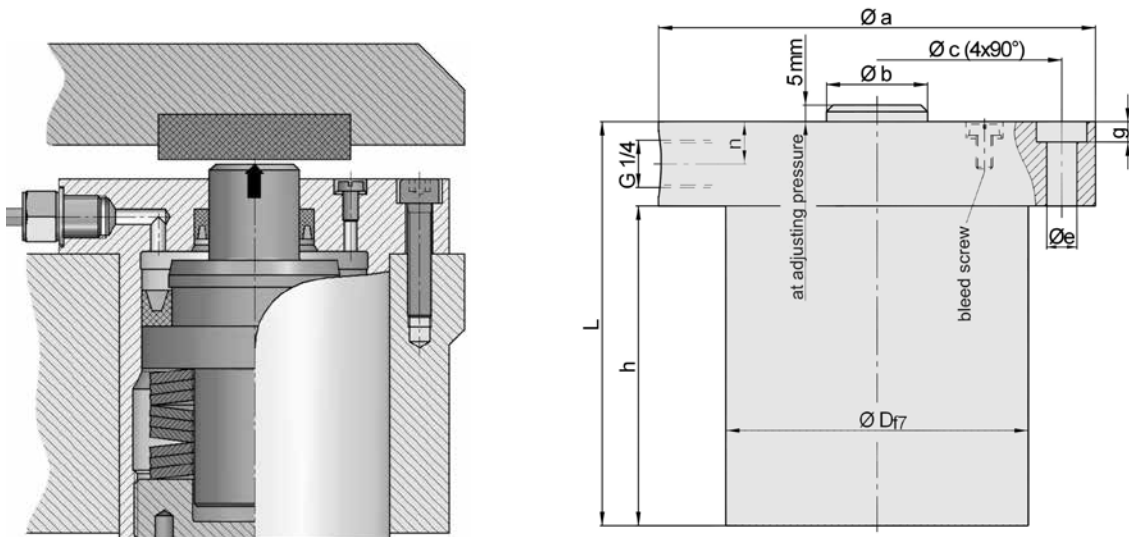
Ordering example: ZSF 25.000 / ZSF 6.300 - 2

Spring Clamping Cylinder I Series ZDF-o

- ✓ mechanical clamping – hydraulic releasing
- ✓ high operational safety ✓ leak-proof and robust
- ✓ temperature range: -30°C up to +100°C ✓ mounting position discretionary

Technical data:

ZDF-o size	nominal clamping force [kN]	adjusting pressure [bar]	release pressure at 0,5 mm stroke [bar]	release pressure at 1,0 mm stroke [bar]	stroke volume at 1 mm stroke [cm ³]	mass approx. [kg]
2.500	25	130	160	195	2	3
4.000	40	200	240	280	3	4,4
6.300	63	180	200	225	4	6,0
10.000	100	240	270	300	5	12
16.000	160	205	235	265	8	23
25.000	250	200	220	245	14	35



update version *material: heat treated steel, burnished or nitro carburized*

Dimensions [mm]: length dimensions according to DIN ISO 2768 mH

ZDF-o	Ø D	Ø a	Ø b	Ø c	Ø e	g	h	L	n
2.500	70	95	20	82	6,5	7	75	100	12,5
4.000	80	120	30	100	9	9	85	110	12,5
6.300	90	130	30	110	9	9	95	120	12,5
10.000	115	160	30	140	11	10	120	145	12,5
16.000	150	198	40	175	13	12	130	160	15
25.000	180	230	50	205	13	12	140	170	15

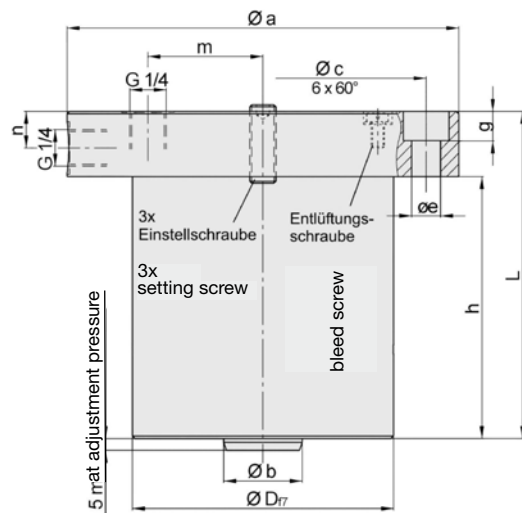
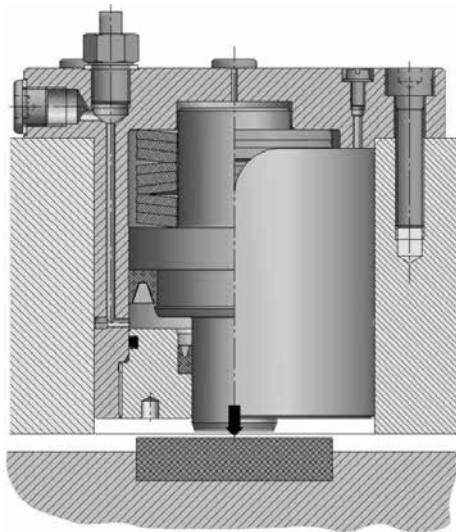
Ordering example: ZDF-o 4.000

Spring Clamping Cylinder I Series ZDF-u

- /// mechanical clamping – hydraulic release
- /// high operational safety // leak-proof and robust
- /// temperature range: -30°C to +100°C // mounting position discretionary

Technical data:

ZDF-u Size	nominal clamping force [kN]	adjusting pressure [bar]	max release stroke [mm]	release pressure at 0,5 mm stroke [bar]	release pressure at 1,0 mm stroke [bar]	release pressure at max stroke [bar]	stroke volume at 1 mm stroke [cm ³]	mass approx. [kg]
2.500	25	160	1,2	205	250	270	2,0	3,8
4.000	40	200	1,5	240	280	320	2,3	5,7
6.300	63	180	1,0	205	230	230	4	7,8
10.000	100	210	1,0	240	270	270	6	14
16.000	160	205	1,5	250	290	330	9	25
25.000	250	200	1,5	230	260	300	13	34



update version *material: heat treated steel, burnished or nitro carburized*

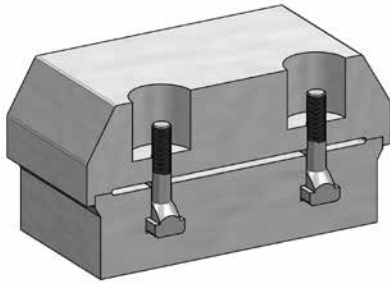
Dimensions [mm]: length dimensions according to DIN ISO 2768 mH

ZDF-u	Ø D	Ø a	Ø b	Ø c	Ø e	g	h	L	m	n
2.500	75	105	20	90	6,5	7	85	110	30	14
4.000	90	138	30	115	11	10	90	115	37	14
6.300	100	150	30	125	11	10	100	125	44	14
10.000	120	170	30	145	12,5	12	125	150	51	14
16.000	150	210	40	185	12,5	12	140	170	65	15
25.000	180	230	50	205	12,5	12	150	180	80	15

Ordering example: ZDF-u 6.300

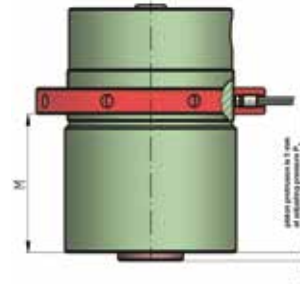
Operation Manual - Slide Clamping I ZSF

1.



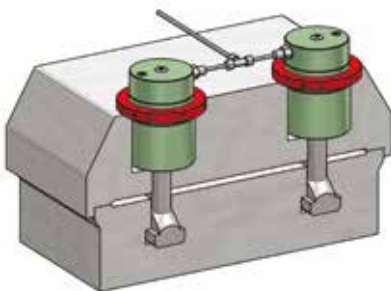
T-bolt screw or tension bolt installation (consider twist lock)

2.



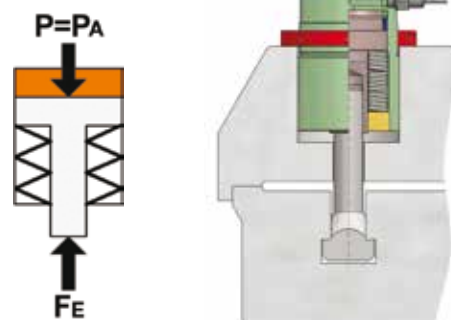
adjust ring nut to mounting position (M) and lock

3.



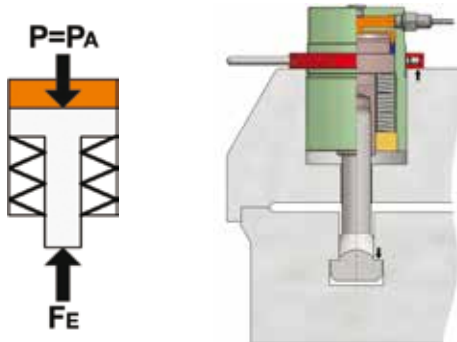
installation of cylinder, hydraulics -> bleeding of cylinder

4.



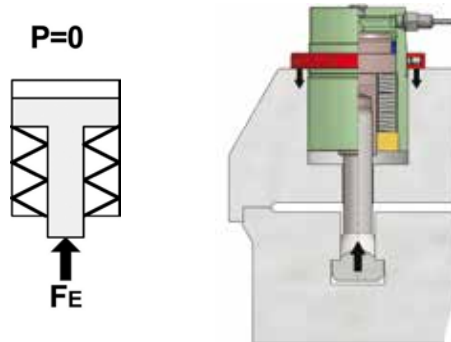
load cylinder with adjusting pressure P_A - disk spring package is compressed - T-bolt screw is released by stroke of pressure piston

5.



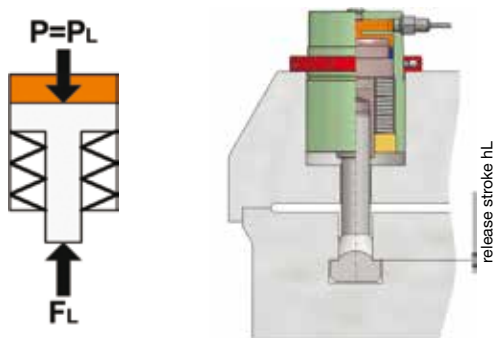
turn ring nut until ring nut and tensioning bolt are at mechanical stop - lock ring nut with screw

6.



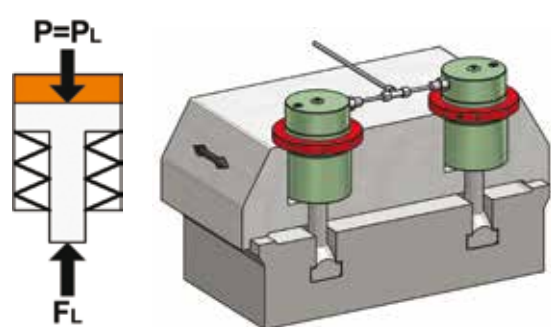
release hydraulic pressure - $P = 0$ bar - clamping force of disk spring package = F_N

7.



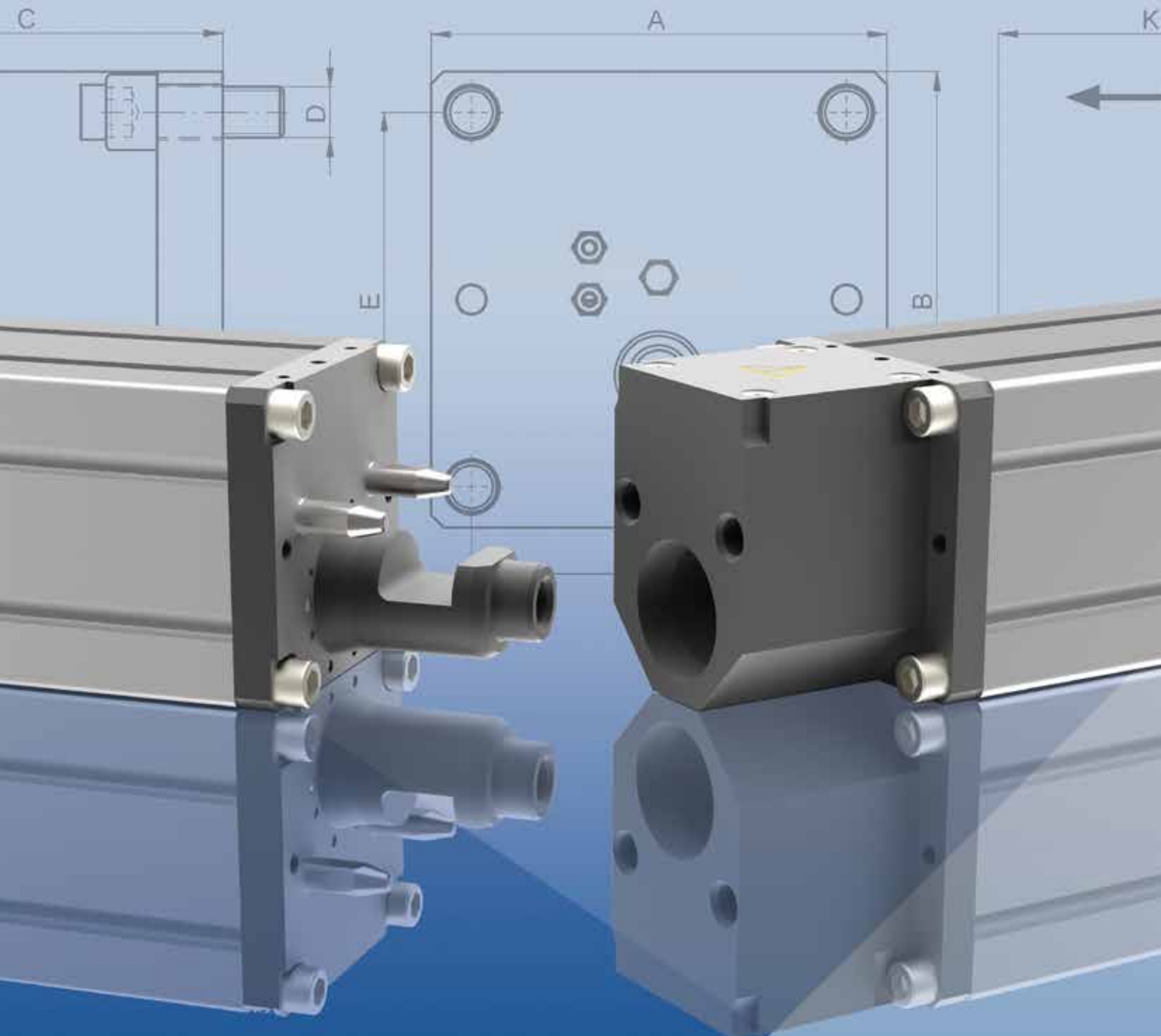
load with release pressure P_L , disk spring package is compressed further

8.



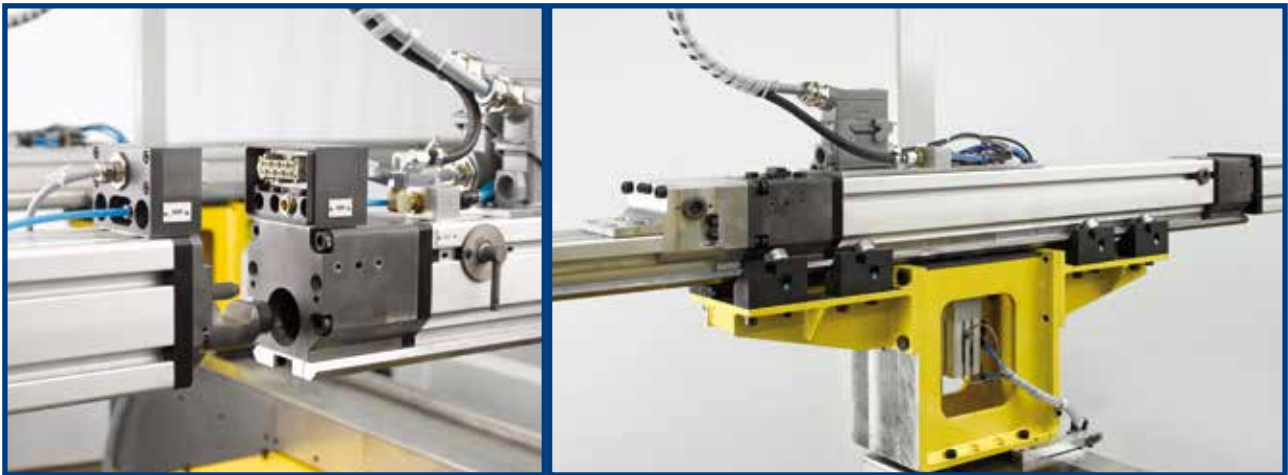
T-bolt screw and tensioning bolt are in release position. Slide can be moved axially

Sectional Rail Couplings



Sectional Rail Couplings | Technical Information

JAKOB Antriebstechnik offers sectional rail couplings that can be easily used in conjunction with all standard sectional rails. They are either directly or by means of adapter plates attached to existing rails of various manufacturers and are therefore also ideal for retrofitting. They can be disconnected either vertically or horizontally. In addition, the clamping elements can be used for safe and quick coupling of various components. The force-enhancing wedge-type clamping mechanism easily closes a joint gap of up to 5mm between the active and passive parts. This clamping kinematics ensures high rigidity and precision of the connection. The clamping force is generated either manually by means of a hexagon socket or pneumatically (PN = 6 bar / 10 bar). High operational safety is ensured by electrical indication of clamping status and maintaining of minimal clamping force even in case of pressure loss.



Design Characteristics

- ✓ horizontally or vertically joinable
- ✓ manual or pneumatic clamping
- ✓ high clamping forces through wedge clamping kinematic
- ✓ high dynamic stiffness - very short clamping times
- ✓ maintained minimal clamping forces even in case of pressure loss
- ✓ compact dimensions - lightweight
- ✓ electrical indication of clamping status
- ✓ compensation of sectional rail offset of up to $\pm 5\text{mm}$
- ✓ high accuracy and repeatability of tool position
- ✓ robust design made from tempered steel – corrosion-protected
- ✓ pre-centering via centering pin
- ✓ high durability - minimal maintenance costs

Applications

Special machines

- ✓ machine / plant construction
- ✓ robot automation

Press automation

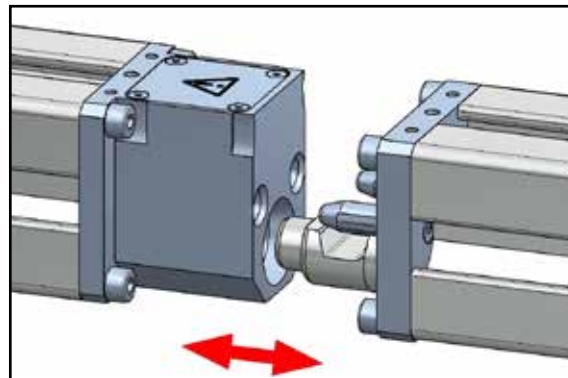
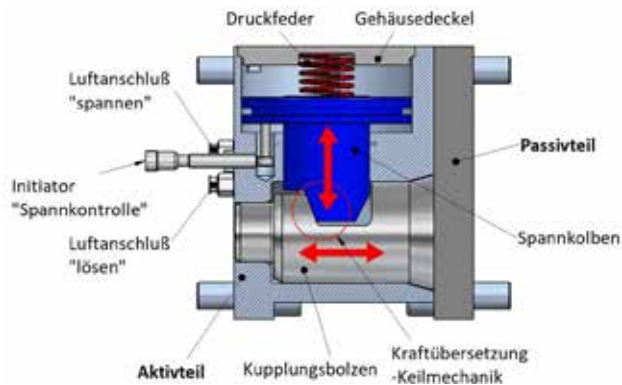
- ✓ transfer systems
- ✓ plug & play solutions

Profile rail systems

- ✓ devices
- ✓ quick-change systems

Sectional Rail Couplings I Technical Information

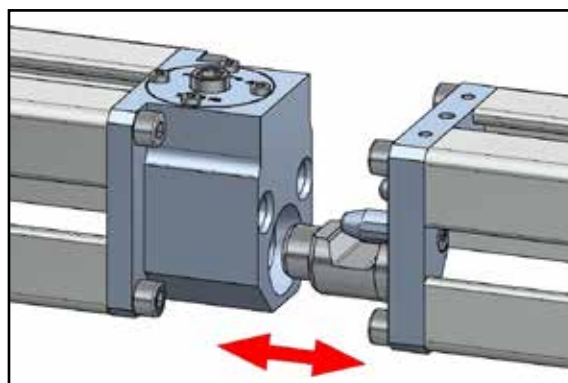
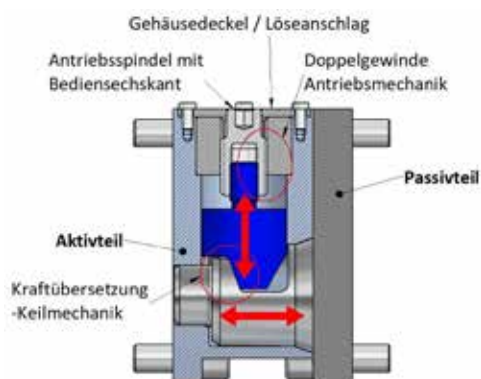
Horizontal variant PKH-P - pneumatic



Design Characteristics

The coupling consists of a passive and active part made of tempered steel (passive plate made of aluminum). In the active part, the clamping force is generated by means of a wedge mechanism consisting of a vertically moving clamping bolt in conjunction with the coupling pin of the passive part. By means of an integrated compression spring, a minimum clamping force is ensured even with pressure drop. This design realizes high clamping forces and high dynamic rigidity with low mass and very short clamping times. For the tool change, a horizontal coupling path "K" (see data sheet) is necessary.

Horizontal variant PKH-M - manual

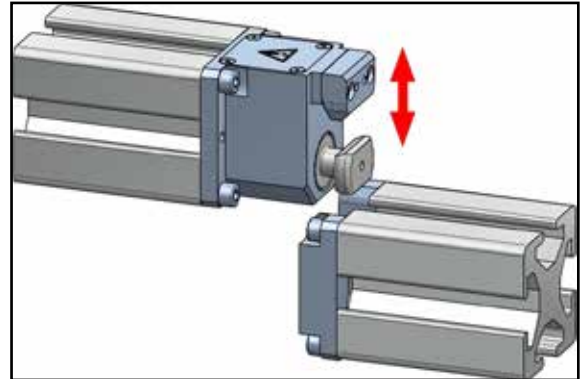
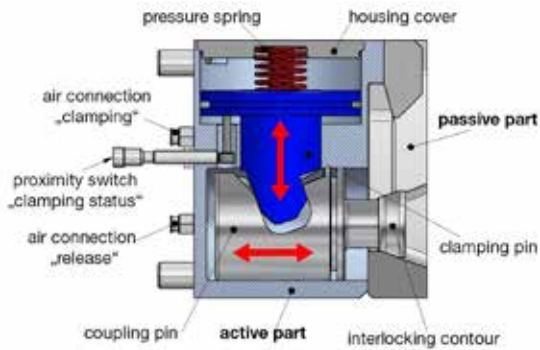


Design Characteristics

The structure is very similar to the type PKH-P with a compact passive and active part. The clamping bolt is, however, manually delivered vertically by means of a left-right threaded mechanism. The clamping or release process can be controlled by the position of the operating hexagon (see data sheet). The clamping connection is self-locking.

Sectional Rail Couplings I Technical Information

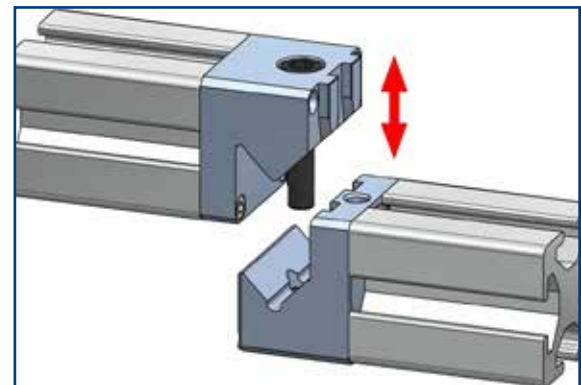
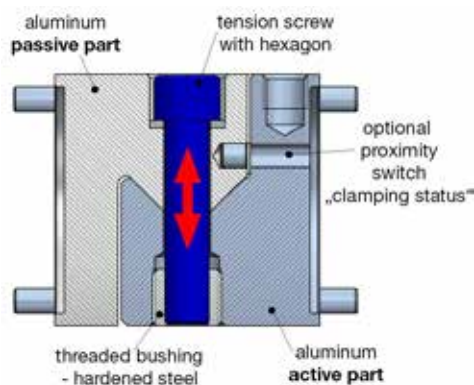
Vertical variant PKV-P - pneumatic



Design Characteristics

The coupling consists of a passive and active part made of tempered steel. In the active part, the clamping force is generated by a mechanical tensioning gear. By means of an integrated compression spring, a minimum clamping force is ensured even with pressure drop. The retraction direction of the active part can optionally be done from above, below or sideways.

Vertical variant PKP - manual

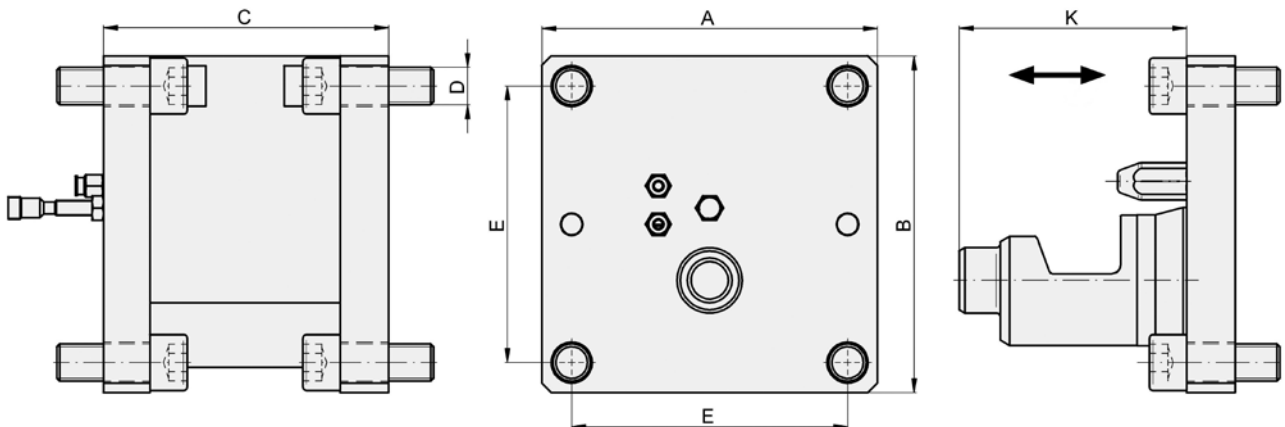


Design Characteristics

The PKP type is a so-called prism coupling consisting of an active and passive part made of high-strength aluminum with a hard-anodized surface. The clamping principle is very simple - the passive part with exchange rail is placed form-fitting from above on the active part - then only one or two clamping screws must be tightened - by the position of the screw head, the clamping operation can be controlled. In addition to the user-friendliness and compactness, the low weight of the PKP-type is a highlight.

Sectional Rail Coupling I Type PKH-P/PKH-M

horizontal linear coupling for automatic or manual clamping



Technical data and dimensions [mm]: measure of length according to DIN ISO 2768 mH

type	*operating forces			**bending	TA	weight	couple	compen-	dimensions [mm]				
	FB [kN]	FBmin [kN]	FQ [kN]	moment [Nm]	(PKH-M) [Nm]	[kg]	distance K	sation hor.	width A	height B	length C	bore pattern D	pattern E
PKH-M-80x80	20	-	25	1000	20	2,7	53	3	80	80	68	4x M8	66
PKH-P-80x80	12,5(19)	3	25	1000	-	2,9	53	3	80	80	80	4x M8	66
PKH-M-100x100	30	-	35	2000	25	4,8	64	4	100	100	81	4x M10	82
PKH-P-100x100	18(26)	4	35	2000	-	5,1	64	4	100	100	93	4x M10	82
PKH-M-120x120	40	-	60	3000	30	7,2	65	4,5	120	120	83	4x M12	100
PKH-P-120x120	30(45)	6,5	60	3000	-	8,7	82	4,5	120	120	115	4x M12	100
PKH-M-140x140	60	-	70	6500	35	10,6	74	5	140	140	94	4x M14	115
PKH-P-140x140	40(60)	10	70	6500	-	12,7	88	5	140	140	128	4x M14	115
PKH-M-160x160	70	-	100	7500	40	15,2	80	5	160	160	105	4x M16	132
PKH-P-160x160	50(75)	11,5	100	7500	-	18,6	109	5	160	160	140	4x M16	132
PKH-M-180x180	80	-	150	13000	50	23	93	6	180	180	122	4x M20	148
PKH-P-180x180	60(90)	14	150	13000	-	26	108	6	180	180	156	4x M20	148
PKH-M-200x200	80	-	150	15000	50	29	95	7	200	200	124	4x M20	168
PKH-P-200x200	80(115)	18,5	150	15000	-	34,7	126	7	200	200	173	4x M20	168

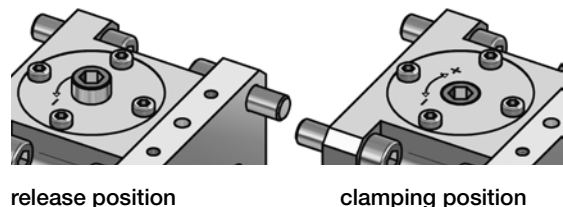
*FB - tolerable axial operating force at nominal pressure PN = 6 bar (10 bar)
 FBmin - minimal operating force at no pressure P = 0 bar
 FQ - tolerable vertical operating force (pressure-independent)

**tolerable operating values M x / y / z at nominal pressure PN = 6 bar

materials: tempered steel - nitrated

Note: version with customer-specific energy coupling for supplying the changing rail with power, air booster (does not belong to the scale of delivery) for 10 bar operating pressure or different sectional profiles (A x B) on demand.

manual clamping with operating hex head - top view:
 TA actuation torque for version „M“



order example:

sectional rail coupling

PKH - P - 140 x 140 - active part

Type PKH-P - automatic clamping (pneumatic) / „M“ - manual clamping

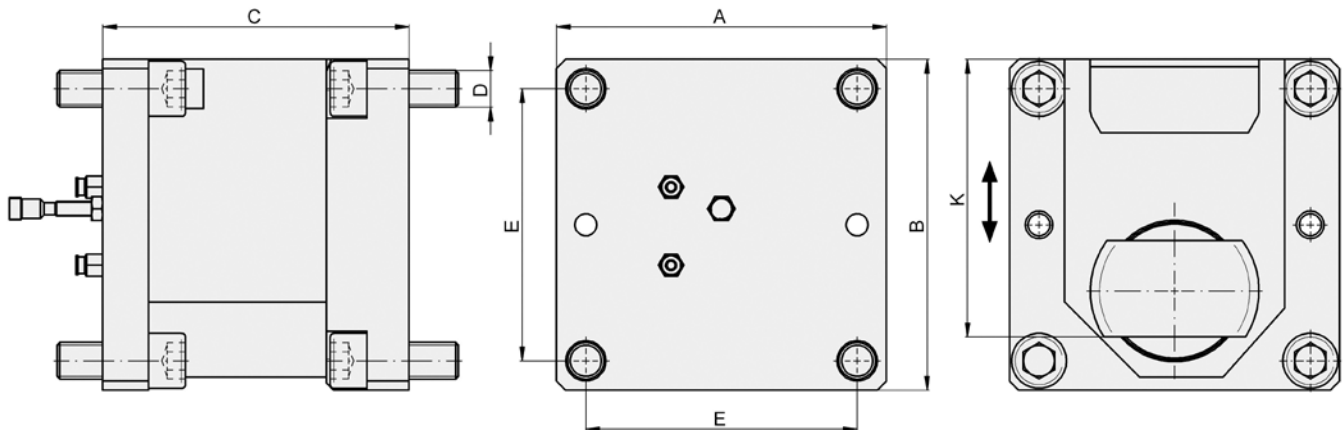
Size 140 x 140 - sectional profile

active part / passive part



Sectional Rail Coupling I Type PKV-P

vertical linear coupling for automatic or manual clamping



Technical data and dimensions [mm]: measure of length according to DIN ISO 2768 mH

Type	*operating forces				**bending moment [Nm]	mass [kg]	couple distance K	compensation		dimensions [mm]				
	FB [kN]	FBmin [kN]	FV [kN]	FVmin [kN]				horiz.	vert.	width A	height B	length C	bore pattern D E	
PKV-P 80x80	12,5 (18)	3	20 (30)	4,5	1000	2,6	71	1,5	1,5	80	80	80	4x M8 66	
PKV-P 100x100	20 (27)	4	30 (40)	6	2000	4,8	89	2,5	2	100	100	95	4x M10 82	
PKV-P 120x120	30 (45)	6,5	50 (70)	10,5	3000	8,7	105	2,5	2	120	120	120	4x M12 100	
PKV-P 140x140	40 (60)	8,5	65 (90)	14	6500	12	122	3	2,5	140	140	134	4x M14 115	
PKV-P 160x160	50 (75)	11	80 (120)	17,5	7500	18	135	3	2,5	160	160	145	4x M16 132	
PKV-P 180x180	60 (95)	17	100 (150)	28	13000	26	154	4	3	180	180	164	4x M20 148	
PKV-P 200x200	75 (115)	17	125 (190)	28	15000	35	168	5	3,5	200	200	184	4x M20 168	

*FB - tolerable axial operating force at nominal pressure PN = 6 bar (10 bar)

FBmin - minimal operating force at no pressure P = 0 bar

FV - tolerable vertical locking force at PN = 6 bar (10 bar)

FVmin - minimal locking force at no pressure P = 0 bar

**tolerable operating values M x / y / z at nominal pressure PN = 6 bar

materials: tempered steel - nitrated

Note: version with customer-specific energy coupling for supplying the changing rail with power, air booster (does not belong to the scale of delivery) for 10 bar operating pressure or different sectional profiles (A x B) on demand.

order example:

sectional rail coupling

PKV - P - 140 x 140 - active part

Type PKV-P - automatic clamping (pneumatic) _____

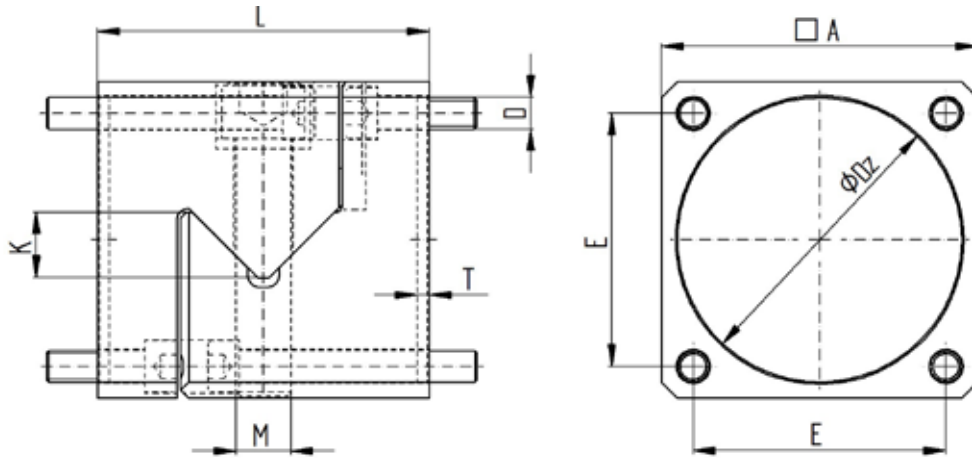
Size 140 x 140 - sectional profile _____

active part / passive part _____



Sectional Rail Coupling I Type PKP

vertical linear coupling for automatic clamping - aluminum version

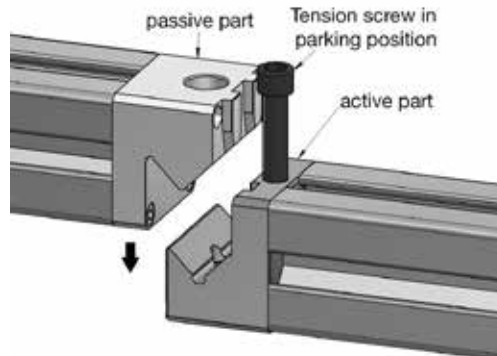
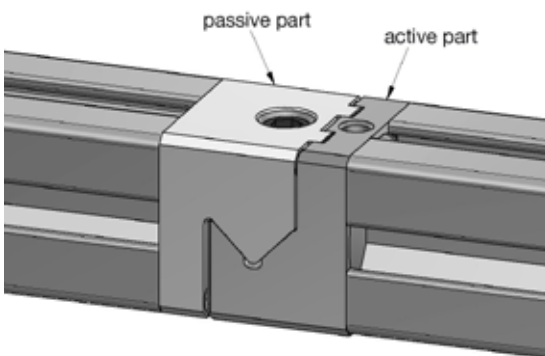


Technical data and dimensions [mm]: measure of length according to DIN ISO 2768 mH

Type	operating forces			mass [kg]	clamping thread M - TA [Nm]	couple distance K	dimensions [mm]					
	max. axial force [kN]	max. lateral force [kN]	bending moment [Nm]				Vkt	length L	depth T	ϕDz	bore pattern 4xD	E
PKP 80x80	35	35	1.600	1,6	M14 - 150	17	80	84	3	72	M8	64
PKP 100x100	50	50	3.200	2,9	M16 - 200	20	100	99	4	90	M10	80
PKP 120x120	70	70	5.000	4,6	M18 - 250	20	120	108	4,5	100	M12	96
PKP 140x140	80	80	8.000	8,0	2x M16 - 200	30	140	137	5	100	M14	112
PKP 160x160	100	100	12.000	11	2x M18 - 250	30	160	145	6	120	M16	130
PKP 180x180	120	120	14.000	16	2x M20 - 300	30	180	160	6	140	M20	140
PKP 200x200	140	140	16.000	20,5	2x M20 - 300	40	200	170	6	160	M20	160

material

Profile flanges: high-strength aluminum - hard anodised, Cylinder screws: ISO 4762 - 12.9



update version

order example:

sectional rail coupling

PKP - 120 x 120 - active part

Type PKP - manual clamping

Size 120 x 120 - sectional profile

active part / passive part

OTT-Jakob Spanntechnik GmbH
Industriestr. 3-7 · 87663 Lengenwang
Fon: (+49) 83 64 9821 0 · Fax: (+49) 83 64 9821 10
info@ott-jakob.de · www.ott-jakob.de



ALLMATIC-Jakob Spannsysteme GmbH
Jägermühle 10 · 87647 Unterthingau
Fon: (+49) 83 77 929 0 · Fax: (+49) 83 77 929 380
info@allmatic.de · www.allmatic.de



JAKOB Antriebstechnik GmbH
Daimler Ring 42 · 63839 Kleinwallstadt
Fon: (+49) 60 22 2208 0 · Fax: (+49) 60 22 2208 22
info@jakobantriebstechnik.de
www.jakobantriebstechnik.de



GPA-Jakob Pressenautomation GmbH
Greschbachstr. 15 · 76229 Karlsruhe
Fon: (+49) 721 6202 0 · Fax: (+49) 721 6202 222
info@gpa-jakob.de · www.gpa-jakob.de



OPTIMA Spanntechnik GmbH
Postfach 52 · 57584 Scheuerfeld
Fon: (+49) 2741 9789 0 · Fax: (+49) 2741 9789 10
info@optima-spanntechnik.de · www.optima-spanntechnik.de



JAKOB Vakuumtechnik GmbH
Daimler Ring 42 · 63839 Kleinwallstadt
Fon: (+49) 60 22 2208 25 · Fax: (+49) 60 22 2208 46
info@jakobvakuumtechnik.de · www.jakobvakuumtechnik.de